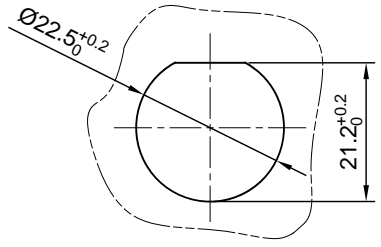
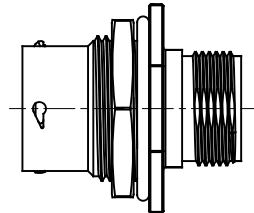
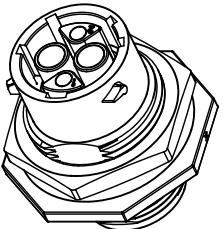
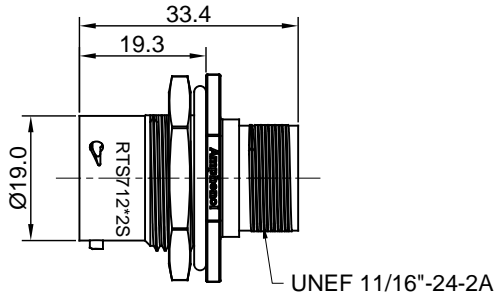
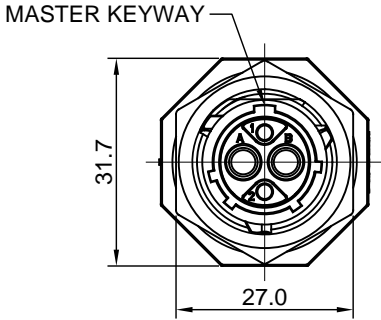


REVISIONS					
REV	ECO	DESCRIPTION	DATE	BY	APPR
A1		FIRST RELEASED	Jun.15.2016	Drack	Tommy
A2		UPDATE THE DRAWING	Jun.29.2016	Drack	Tommy



NOTES : (UNLESS OTHERWISE SPECIFIED)

1. MATERIAL :
 - SHELL : THERMOPLASTIC , UL94 V-0.
 - INSERT : THERMOPLASTIC , UL94 V-0.
 - O-RING : NBR OR SR
 - SEAL GASKET : NBR OR SR.
 - JAM NUT : AL ALLOY , BLACK ANODIZING.
2. SPECIFICATIONS :
 - 2.1, RATED CURRENT : 2.5mm CONTACT: 23A (MAX).
20# CONTACT: 5A (MAX).
 - 2.2, RATED VOLTAGE : 350V(AC/DC).
 - 2.3, OPERATING TEMPERATURE : SEE TABLE.
 - 2.4, DIELECTRIC WITHSTANDING VOLTAGE : LESS THAN
2 MILLIAMPS CURRENT LEAKAGE@2000 VOLTS AC.
 - 2.5, INSULATION RESISTANCE : 5000 MEGOHMS MIN.
 - 2.6, IP-CLASS : IP67.
 - 2.7, MATING CYCLES DURABILITY : 500 CYCLES MIN.
 - 2.8, RoHS COMPLIANT.
3. SUITABLE CONTACTS : 2.5mm SCOKET CONTACTS.
20# SOCKET CONTACT.
4. ALL DIMENSIONS ARE FOR REFERENCE USE ONLY.

KEY	PART NUMBER	
		-40°C ~ 105°C
N	RTS712N2S	RTS712N2S03

QUANTITY	PART NUMBER	DESCRIPTION	ITEM										
MATERIALS LIST													
UNLESS OTHERWISE SPECIFIED 1) All dimensions are in metric(mm). 2) Tolerances are as follows: 1 PL DEC ±0.30 Fractions ±1/64 2 PL DEC ±0.15 Angles ±1° 3 PL DEC ±0.08		<table border="1"> <tr> <th>SIGNATURES</th> <th>DATE</th> </tr> <tr> <td>DRAWN: Drack</td> <td>Jun.29.2016</td> </tr> <tr> <td>CHECKED:</td> <td></td> </tr> <tr> <td>ENGINEER:</td> <td></td> </tr> <tr> <td>APPROVAL:</td> <td></td> </tr> </table>		SIGNATURES	DATE	DRAWN: Drack	Jun.29.2016	CHECKED:		ENGINEER:		APPROVAL:	
SIGNATURES	DATE												
DRAWN: Drack	Jun.29.2016												
CHECKED:													
ENGINEER:													
APPROVAL:													
MATERIAL SPECIFICATIONS:		<div style="text-align: center;">Amphenol</div> <p>Sine Systems - www.amphenol-sine.com 44724 Morley Drive Clinton Township, MI 48036</p>											
PROCESS SPECIFICATIONS:		<p>ECO-MATE,RECEPTACLE, JAM NUT, 2POS,SOCKET CONTACT,SIZE 12</p>											
NEXT ASSY:		<table border="1"> <tr> <th>SIZE</th> <th>TYPE</th> <th>DWG NO.</th> <th>REVISION</th> </tr> <tr> <td>B</td> <td>C-</td> <td>RTS712*2Sxx</td> <td>A2</td> </tr> </table>	SIZE	TYPE	DWG NO.	REVISION	B	C-	RTS712*2Sxx	A2			
SIZE	TYPE	DWG NO.	REVISION										
B	C-	RTS712*2Sxx	A2										
		SCALE: NONE	SHEET 1 OF 1										

TITLE: ECO-MATE,RECEPTACLE, JAM NUT, 2POS,SOCKET CONTACT,SIZE 12
DWG NO.: RTS7122Sxx
REV: A2
SH: 1
OF: 1