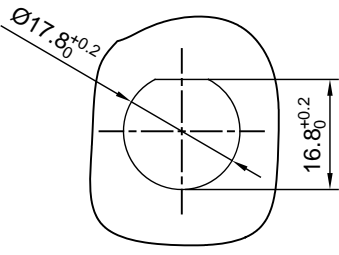
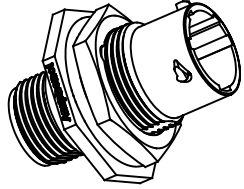
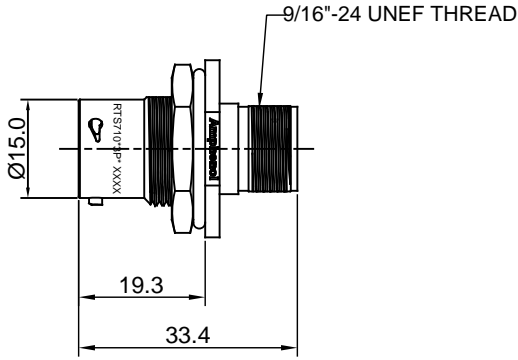
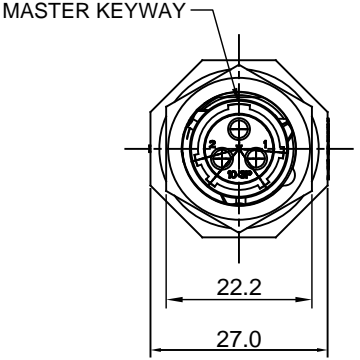


REVISIONS					
REV	ECO	DESCRIPTION	DATE	BY	APPR
A1	--	RELEASED DRAWING	Mar-18-2016	Ben	Tommy



- NOTES : (UNLESS OTHERWISE SPECIFIED)
- MATERIAL :
    - SHELL : THERMOPLASTIC , UL94 V-0.
    - INSERT : THERMOPLASTIC , UL94 V-0.
    - O-RING : NBR/SILICONE RUBBER.
    - SEAL GASKET : NBR/SILICONE RUBBER.
    - JAM NUT : AL ALLOY , BLACK ANODIZING.
  - SPECIFICATIONS :
    - 2.1 RATED CURRENT : 13A (MAX).
    - 2.2 RATED VOLTAGE : 500V(AC/DC).
    - 2.3 OPERATING TEMPERATURE : SEE CHART.
    - 2.4 DIELECTRIC WITHSTANDING VOLTAGE : LESS THAN 2 MILLIAMPS CURRENT LEAKAGE@2000 VOLTS AC.
    - 2.5 INSULATION RESISTANCE : 5000 MEGOHMS MIN.
    - 2.6 IP--CLASS : IP67.
    - 2.7 MATING CYCLES DURABILITY : 500 CYCLES MIN.
    - 2.8 RoHS COMPLIANT.
  - SUITABLE CONTACTS : 16# CONTACTS.
  - ALL DIMENSIONS ARE FOR REFERENCE USE ONLY.

KEY	PART NUMBER	
		-40°C ~ 105°C
N	RTS710N3P	RTS710N3P03

PANEL CUT OUT REFERENCE

QUANTITY	PART NUMBER	DESCRIPTION	ITEM
<b>MATERIALS LIST</b>			
UNLESS OTHERWISE SPECIFIED 1) All dimensions are in metric(mm). 2) Tolerances are as follows: 1 PL DEC ±0.30   Fractions ±1/64 2 PL DEC ±0.15   Angles ±1° 3 PL DEC ±0.08 3) Note reference =		<b>Amphenol</b> Sine Systems - www.amphenol-sine.com 44724 Morley Drive Clinton Township, MI 48036	
MATERIAL SPECIFICATIONS:		ECO-MATE, RECEPTACLE, JAM NUT, SIZE 10, 3POS, PIN.	
PROCESS SPECIFICATIONS:		THIS DRAWING IS SUPPLIED FOR INFORMATION ONLY. DESIGN FEATURES, SPECIFICATIONS AND PERFORMANCE DATA SHOWN HEREON ARE THE PROPERTY OF THE AMPHENOL CORPORATION. NO RIGHTS OF REPRODUCTION ARE IMPLIED. ALL DIMENSIONS ARE SUBJECT TO NORMAL MANUFACTURING VARIATIONS.	
NEXT ASSY:		SIZE: B C- TYPE: NONE DWG NO: RTS710*3P* REVISION: A1 SCALE: NONE SHEET 1 OF 1	

TITLE: ECO-MATE, RECEPTACLE, JAM NUT, SIZE 10, 3POS, PIN. DWG NO: RTS710\*3P\*. REV: A1 SH: 1 OF: 1