

Industrial 10.4" LED Projected Capacitive Multi-touch Display



Features

- 10.4" LED SVGA LCD Panel up to 800 x 600 Resolution
- 5-wire Resistive / Projected Capacitive Touch Technology
- 12-24 V DC Power Input Pluggable Terminal Block
- RS-232 and USB Touch Interfaces
- -20~60° C Operating Temperature
- Panel and VESA Mounting

Applications

- Embedded HMI Display System
- Factory / Manufacturing Automation
- ATM / Self-service / Kiosk Applications
- Vending / Ticketing Machines

➔ Packing List

Description
1 x TPM-3210 / TPM-3110
1 x Driver CD
1 x USB Cable
1 x VGA Cable
1 x Power Adapter (AC-to-DC, 12 V @ 5 A, 60 W)
6 x Panel Mounting Screws

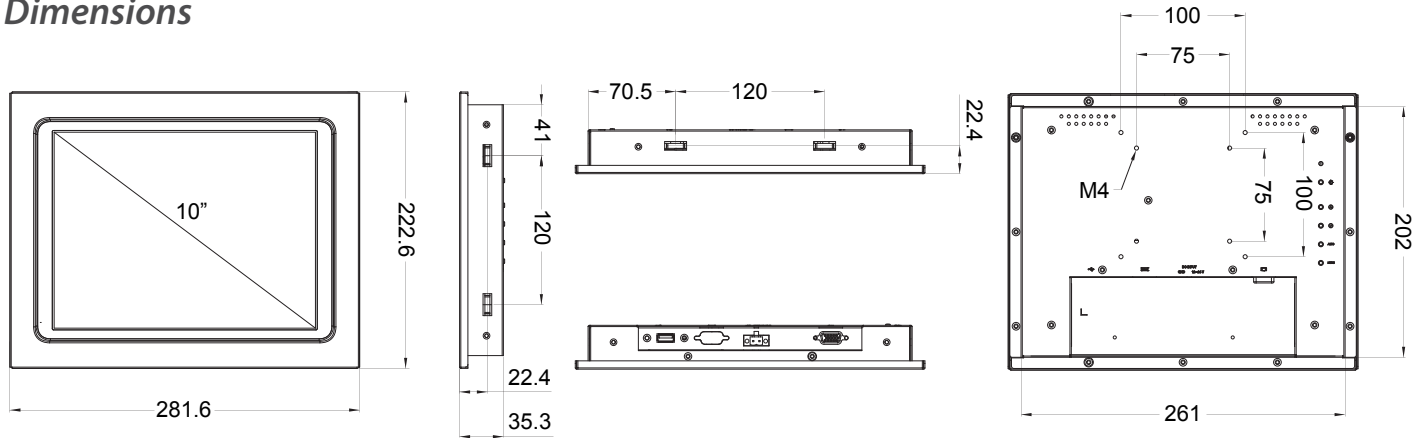
➔ Optional Items

Part No.	Description
ACS-PS-US	Power Cable 3-pin, 180 cm, USA Type
ACS-PS-EU	Power Cable 3-pin, 180 cm, Euro Type
ACS-PS-CN	Power Cable 3-pin, 180 cm, China Type
ACS-100-STD	LCD VESA Table Stand

➔ Ordering Information

Part No.	Description
TPM-3210P-A1E	10.4" SVGA Industrial Ultra-slim Projected Capacitive Multi-touch Display
TPM-3210R-A1E	10.4" SVGA Industrial Ultra-slim Resistive Touch Display
TPM-3110R-A1E	10.4" SVGA Industrial Ultra-slim Resistive Touch Open Frame

→ Dimensions



→ Specifications

Model		TPM-3210P	TPM-3210R
Display	Panel Size	10.4" LED LCD Panel	
	Resolution	800 x 600 (SVGA)	
	Viewing Angle	80 x 80 (H), 60 x 70 (V)	
	Brightness	230 (cd/m ²)	
	Color Support	16.2 M / 262 K	
	Contrast Ratio	500:1	
	Response Time	35 [msec]	
Touchscreen	Type	Projected Capacitive	5-Wire Resistive
	Surface Hardness	7 Mohs	3 Mohs
	Durability	-	10 million touches
	Transparency	90%(±3%)	80% (±3%)
I/O Interface	Video Interface	1 VGA	
	Touch interface	Projected Capacitive (for USB only) / 5-Wire Resistive (for USB and RS-232)	
OSD Control	Function Key	5 Keys: Menu, Up, Down, Auto Adjust, Monitor Power on/off Menu Functions: Brightness, Contrast, Color Adjust, Color Temp, Auto Color, Language	
Power	Power Connector	Phoenix Terminal Block, 2 pins	
	Power Input	12~24 V DC input, Single Power Source	
	Power Consumption (Typical)	3.5 W	
Environment	Operating Temperature	-20~60° C (-4~140° F)	
	Storage Temperature	-30~70° C (-22~158° F)	
	Humidity	5~95% @ 40° C, non-condensing	
	Vibration	5-500 Hz, 0.026 G ² /Hz, 2.16 Grms, X, Y, Z, 1 hour per axis	
General	Ingress Protection	IP54	
	Dimensions (W x H x D)	281.6 x 222.6 x 35.3 mm (11.08" x 8.76" x 1.38")	
	Weight	1.8 kg (3.96 lb)	
	Operating System	Windows CE/XP/7/8.1/10, WES7, WE8S, Linux Fedora, Ubuntu	