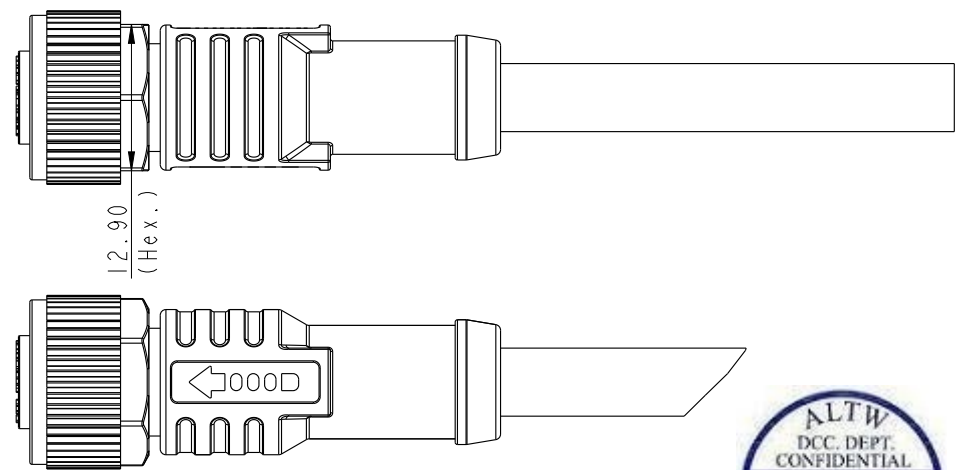
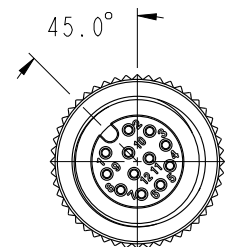
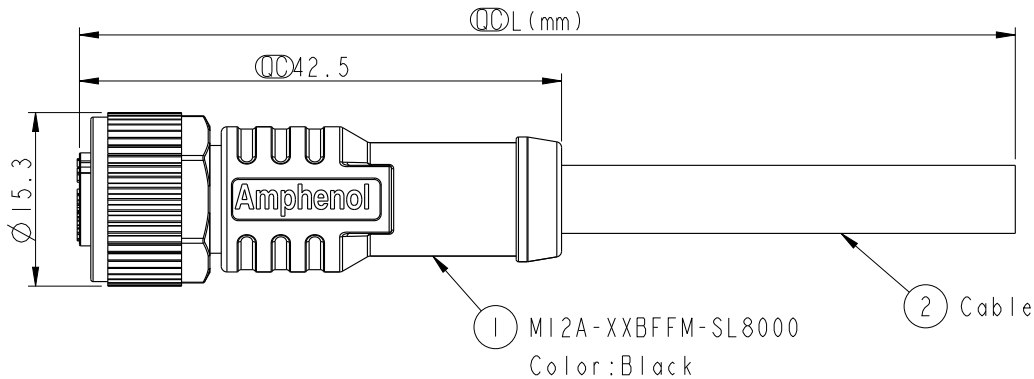


REV.	ECN NO.	DATE	SIGN	DESCRIPTION
B	LEN1580130~141	2015/08/10	Feng_Li	Add Black PVC Cable
C	LEN1680943~960 LEN1681003~011	2016/08/09	Yulong_wang	Add 6Pin & IP69K.
D	LEN1750089~96	2017/04/06	Lingpeng	Change The Cable OD



- Notes:
- * \varnothing Important Dimension.
 - * Waterproof Rate: IP68, IP69K.
 - * Connector: PU+GF, Black.
 - * Female Pin: Copper Alloy, Gold Plated.
 - * Screw Nut: Zinc Alloy, Nickel Plated.
 - * Outer Mold: PU, Black.
 - * Cable: (A) UL2517, PVC Jacket, Yellow.
(B) UL20549, PUR Jacket, Black.
(D) UL2517, PVC Jacket, Black.
 - * Rated Voltage: 3 & 4Pin 250V dc. or ac.
5Pin 60V dc. or ac.
6~12Pin 30V dc. or ac.
 - * Rated Current: 3~5Pin 4A
6~8Pin 2A
10~12Pin 1.5A
 - * Operating Temperature: -25~85°C
 - * Cable Length Tolerance: 01M:±40mm
02M~05M:±60mm
06M~10M:±100mm
11M~30M:±200mm
31M~99M:±500mm



UNIT: mm		
TOLERANCE		
±0.5mm		

TITLE MI2 A Type Cable Female Conn.			
SCALE 3:2	SIZE A4	SHEET 1 OF 3	
REV. D	WC-REV. A.3	\varnothing : Inspection item	

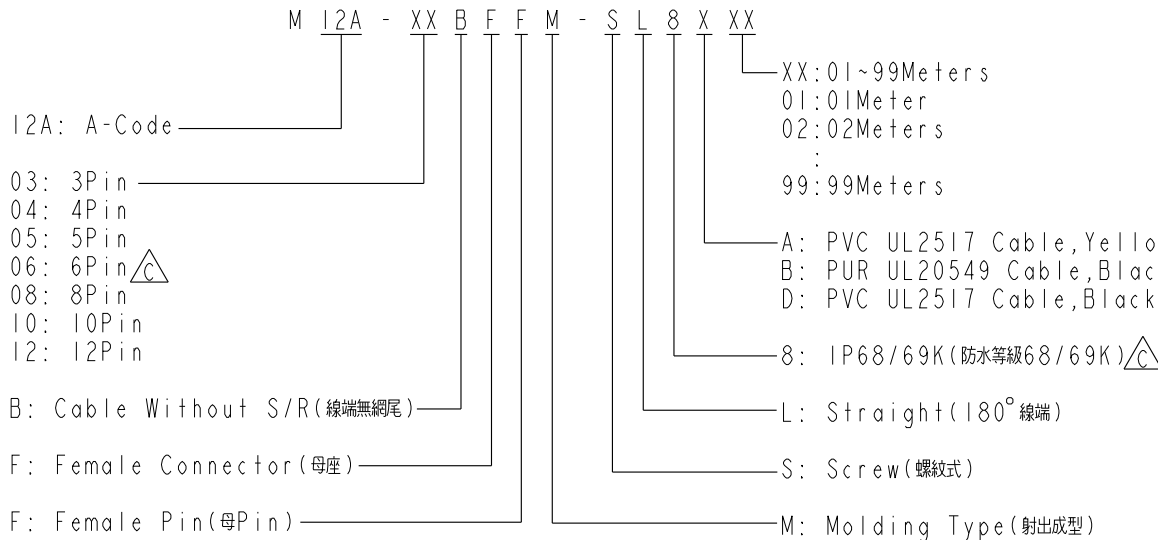
Amphenol LTW
安費諾亮泰企業股份有限公司

ITEM NO	DRAWN BY Lingpeng	DATE 2017-04-06
DWG NO MI2A-XXBFFM-SL8XXX	CHECKED BY Ma Fei	DATE 2017-04-06
CUSTOMER ALTW	APPROVED BY Jerry	DATE 2017-04-06

THIS DOCUMENT IS SUBJECT TO CHANGE WITHOUT NOTICE. IT IS CONFIDENTIAL AND A PROPERTY OF Amphenol LTW. DISCLOSURE TO THIRD PARTY HAS TO BE AUTHORIZED BY Amphenol LTW.



Contacts	Cable Jacket	Cable OD	AWG	Item No.	
△B	PVC	12P	6.0	26	M12A-12BFFM-SL8DXX
		10P			M12A-10BFFM-SL8DXX
△C	PVC	8P	5.5	24	M12A-08BFFM-SL8DXX
		6P	5.0		M12A-06BFFM-SL8DXX
	PUR	5P	5.1		M12A-05BFFM-SL8DXX
		4P	4.8	22	M12A-04BFFM-SL8DXX
		3P	4.5		M12A-03BFFM-SL8DXX
△D	PUR	12P	6.0	26	M12A-12BFFM-SL8BXX
		10P			M12A-10BFFM-SL8BXX
△C	PUR	8P	4.8	24	M12A-08BFFM-SL8BXX
		6P	5.0		M12A-06BFFM-SL8BXX
△D	PUR	5P	4.4		M12A-05BFFM-SL8BXX
		4P	4.0	22	M12A-04BFFM-SL8BXX
	PVC	3P	3.8		M12A-03BFFM-SL8BXX
		12P	6.0	26	M12A-12BFFM-SL8AXX
		10P			M12A-10BFFM-SL8AXX
△C	PVC	8P	5.5	24	M12A-08BFFM-SL8AXX
		6P	5.0		M12A-06BFFM-SL8AXX
	PVC	5P	5.1		M12A-05BFFM-SL8AXX
		4P	4.8	22	M12A-04BFFM-SL8AXX
		3P	4.5		M12A-03BFFM-SL8AXX



UNIT:mm	
TOLERANCE	±0.5mm

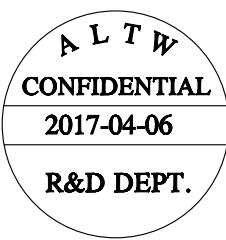
TITLE M12 A Type Cable Female Conn.			
SCALE 3:2	SIZE A4	SHEET 2 OF 3	
REV. D	WC-REV. A.3	QC: Inspection item	

Amphenol LTW
安費諾亮泰企業股份有限公司

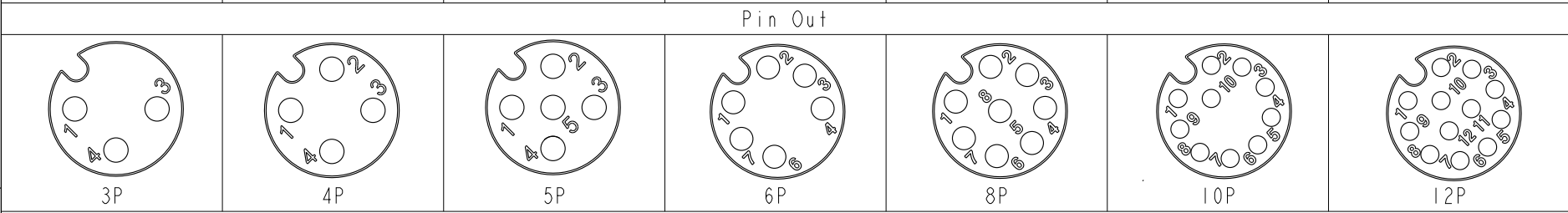
ITEM NO	DRAWN BY Lingpeng	DATE 2017-04-06
DWG NO M12A-XXBFFM-SL8XXX	CHECKED BY Ma Fei	DATE 2017-04-06
CUSTOMER ALTW	APPROVED BY Jerry	DATE 2017-04-06

THIS DOCUMENT IS SUBJECT TO CHANGE WITHOUT NOTICE. IT IS CONFIDENTIAL AND A PROPERTY OF Amphenol LTW. DISCLOSURE TO THIRD PARTY HAS TO BE AUTHORIZED BY Amphenol LTW.

THIS DOCUMENT IS SUBJECT TO CHANGE WITHOUT NOTICE. IT IS CONFIDENTIAL AND A PROPERTY OF Amphenol LTW. DISCLOSURE TO THIRD PARTY HAS TO BE AUTHORIZED BY Amphenol LTW.



5	--		5	--		5	Gray	灰	5	Gray	灰	12	--		12	Red/Blue	紅/藍
4	Black	黑	4	Black	黑	4	Black	黑	4	Black	黑	11	--		11	Gray/Pink	灰/粉
3	Blue	藍	3	Blue	藍	3	Blue	藍	3	Blue	藍	10	Violet	紫	10	Violet	紫
2	--		2	White	白	2	White	白	2	White	白	9	Black	黑	9	Black	黑
1	Brown	棕	1	Brown	棕	1	Brown	棕	1	Brown	棕	8	Red	紅	8	Red	紅
												7	Blue	藍	7	Blue	藍
												6	Pink	粉	6	Pink	粉
												5	Gray	灰	5	Gray	灰
												4	Yellow	黃	4	Yellow	黃
												3	Green	綠	3	Green	綠
												2	Brown	棕	2	Brown	棕
												1	White	白	1	White	白



Pin Assignments Front View

UNIT:mm TOLERANCE ±0.5mm	TITLE M12 A Type Cable Female Conn.		<h1 style="text-align: center;">Amphenol LTW</h1> <p style="text-align: center;">安費諾亮泰企業股份有限公司</p>	ITEM NO	DRAWN BY	DATE	
	SCALE 3:2	SIZE A4		SHEET 3 OF 3	DWG NO M12A-XXBFFM-SL8XXX	CHECKED BY Ma Fei	DATE 2017-04-06
	REV. D	WC-REV. A.2		QC: Inspection item	CUSTOMER ALTW	APPROVED BY Jerry	DATE 2017-04-06