

REV	ECN NO	CONTENT	CHK	DATE
V0.0		初版	ZCP	2016.11.24

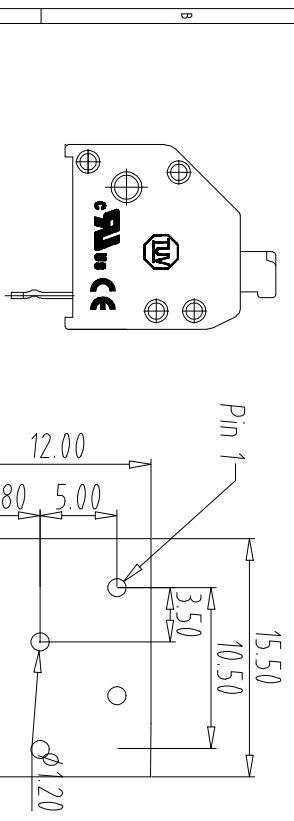
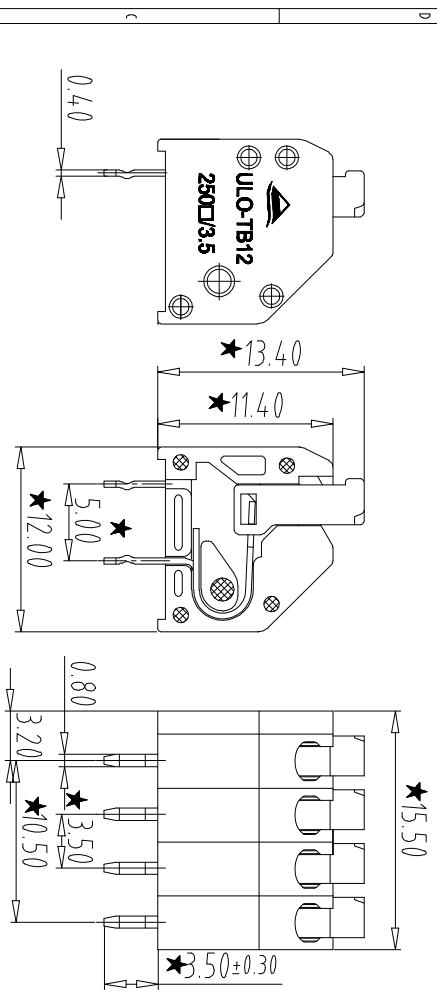
NOTES:

- Rating: 300V/10A
<IEC> 250V/10.5A
- Poles: 03P
- Insulation Withstands Voltage: AC2000V/1 Min
- Insulation Resistance: 500M Ω at DC500V
- Using Temperature Range: -40°C/+115°C
- Max soldering : +250° for SS
- RoHS Compliance
- Suitable Electric Wire: 28-18AWG(U) 0.2-1.0mm² (IEC)
- With"★" "is important dimension

How to order

UL0-TB12 - 250A/3.5 - 04P -1 0 0 0A

Certificate Factory poles color: Customer requirements
 Series NO. Code
 1:Grey
 2:Blue
 3:Black
 4:Green
 5:Orange
 6:Red
 7:transparent
 8:Yellow
 9:White



PCB LAYOUT

Total Pitch Tolerances		Nominal dimension range	
in mm		in mm	
0	over	0	over
30	to	30	to
53	to	53	to
70	to	70	to
90	to	90	to
115	to	115	to
150	to	150	to
200	to	200	to
250	to	250	to
300	to	300	to
350	to	350	to
400	to	400	to
450	to	450	to
500	to	500	to
550	to	550	to
600	to	600	to
650	to	650	to
700	to	700	to
750	to	750	to
800	to	800	to
850	to	850	to
900	to	900	to
950	to	950	to
1000	to	1000	to

NINGBO UL0 ELECTRONICS CO.,LTD.

REV:10

ITEM	NAME OF PART	NO. OF PART	Q'TY	MATERIAL	NOTE
1	Housing	3001A0YXXA	3	PA66	UL94V-0
2	Cover	3001C0Y00A	1	PA66	UL94V-0
3	LEVER	3001D0Y00A	3	PA66	UL94V-0
4	LONG-PIN	3001B0020	2	Phosphor Bronze	Tin Plated
5	SHORT-PIN	3001B0020	1	Phosphor Bronze	Tin Plated

DWG	ZCP	DATE	SCALE	UNITS	SHEET/OF	1/1
		16.11.24	1:1	MM	4/4	

NINGBO UL0 ELECTRONICS CO.,LTD.
 宁波欧路电子有限公司
 UL0-TB12-250A/3.5-04P-1000A
 UL0TB12Y000A