

## DETAILS

<b>Product Number</b>	FP11085_LISA2-RS-CLIP
<b>Family</b>	Lisa2
<b>Type</b>	Assembly
<b>Color</b>	black
<b>Diameter</b>	9,9 mm
<b>Height</b>	6,8 mm
<b>Style</b>	round
<b>Optic Material</b>	PMMA
<b>Holder Material</b>	
<b>Fastening</b>	clips, glue
<b>Status</b>	production ready
<b>ROHS Compliant</b>	Yes
<b>Date Updated</b>	18/08/2014

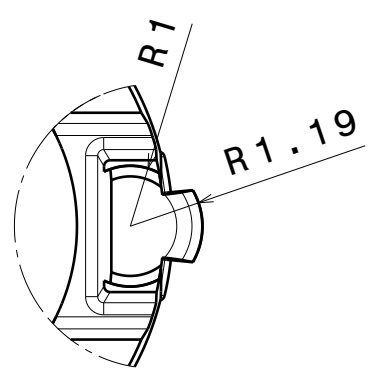


## OPTICAL PROPERTIES

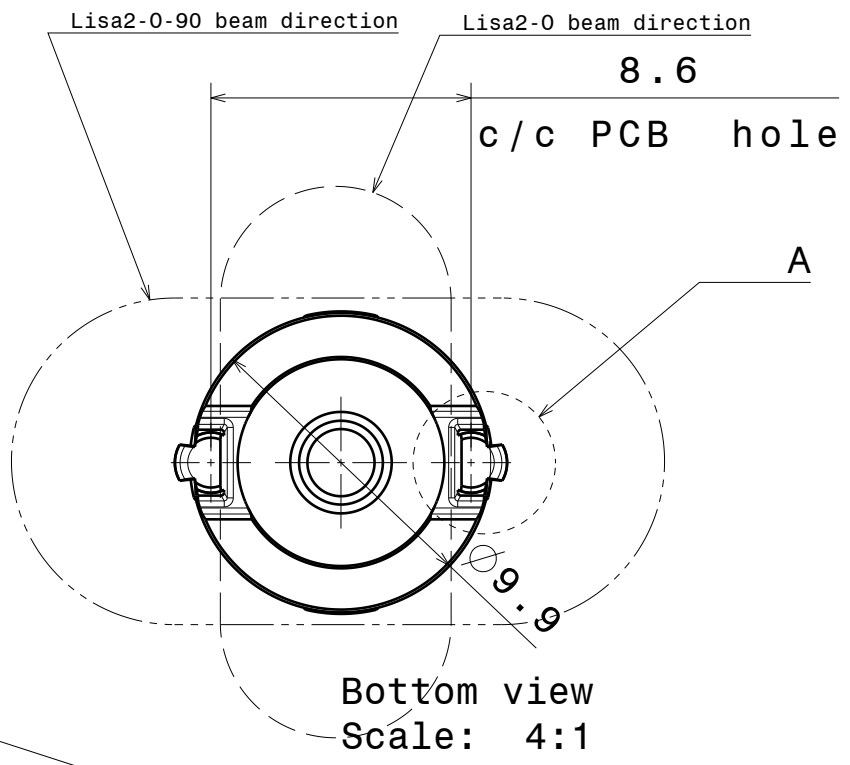
LED	Viewing	Light	Effi-		Connector
	Angle	Beam	ciency	cd/lm	
XP-E	16 deg	Real spot	90 %	-	-
XP-G	26 deg	Real spot	90 %	-	-
XQ-E	sim: 14.5	Real spot	sim: 91 %	sim: 10.100-	
XQ-E HI	sim: 11	Real spot	sim: 86 %	sim: 14.000-	
LUXEON Z ES	15 deg	Real spot	84 %	6.600	-
Double Dome (GM2BB)	18 deg	Real spot	-	-	-

D C B A

4



Detail A  
Scale: 8:1



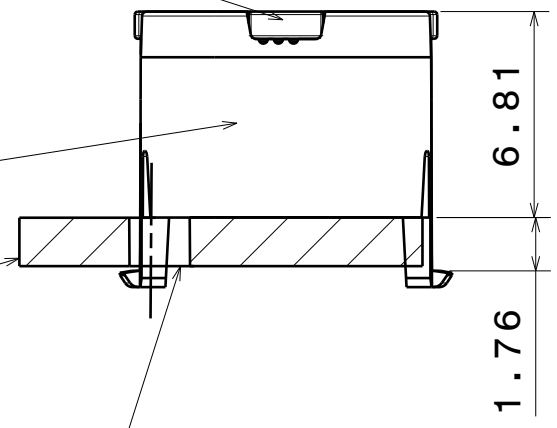
Bottom view  
Scale: 4:1

3

Lens

Holder

Reference PCB



Front view  
Scale: 4:1

2

Materials:  
Lens PMMA  
Holder PC

Note:  
Take tolerances  
into account  
when specifying  
positioning  
holes for PCB

4

3

2

This drawing is our property.  
It can't be reproduced  
or communicated without  
our written agreement.



Ledil Oy  
Tehdaskatu 13  
FIN-24100 SALO  
Finland

DRAWING TITLE  
Datasheet Lisa2-clip16-XP series Assy

DRAWN BY ch	DATE 20.7.2011
CHECKED BY sn	DATE 20.7.2011
DESIGNED BY hh	DATE 19.10.2009

SIZE A4	DRAWING NUMBER	REV 2
SCALE 4:1	WEIGHT (g)	SHEET 1/1

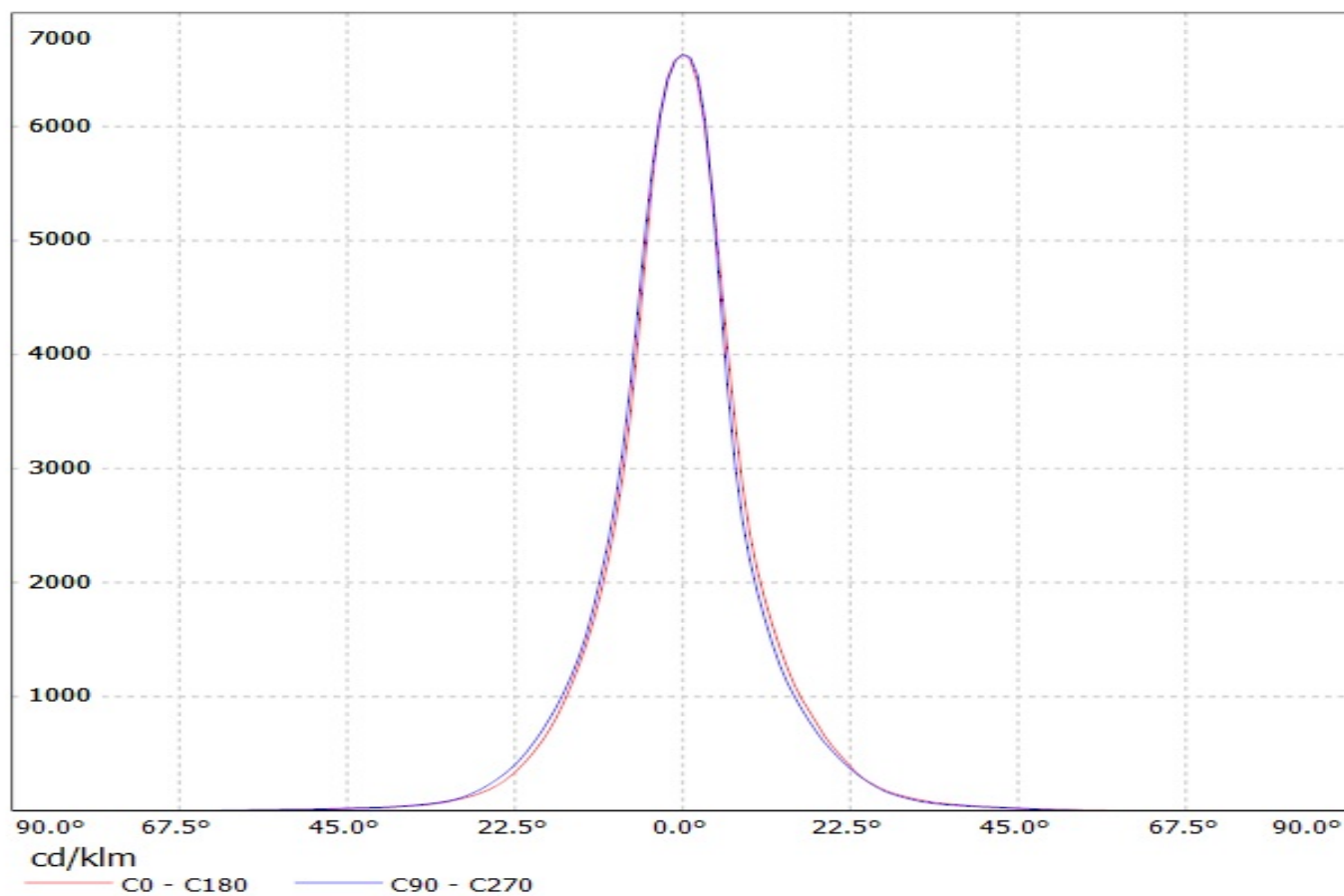
1

1

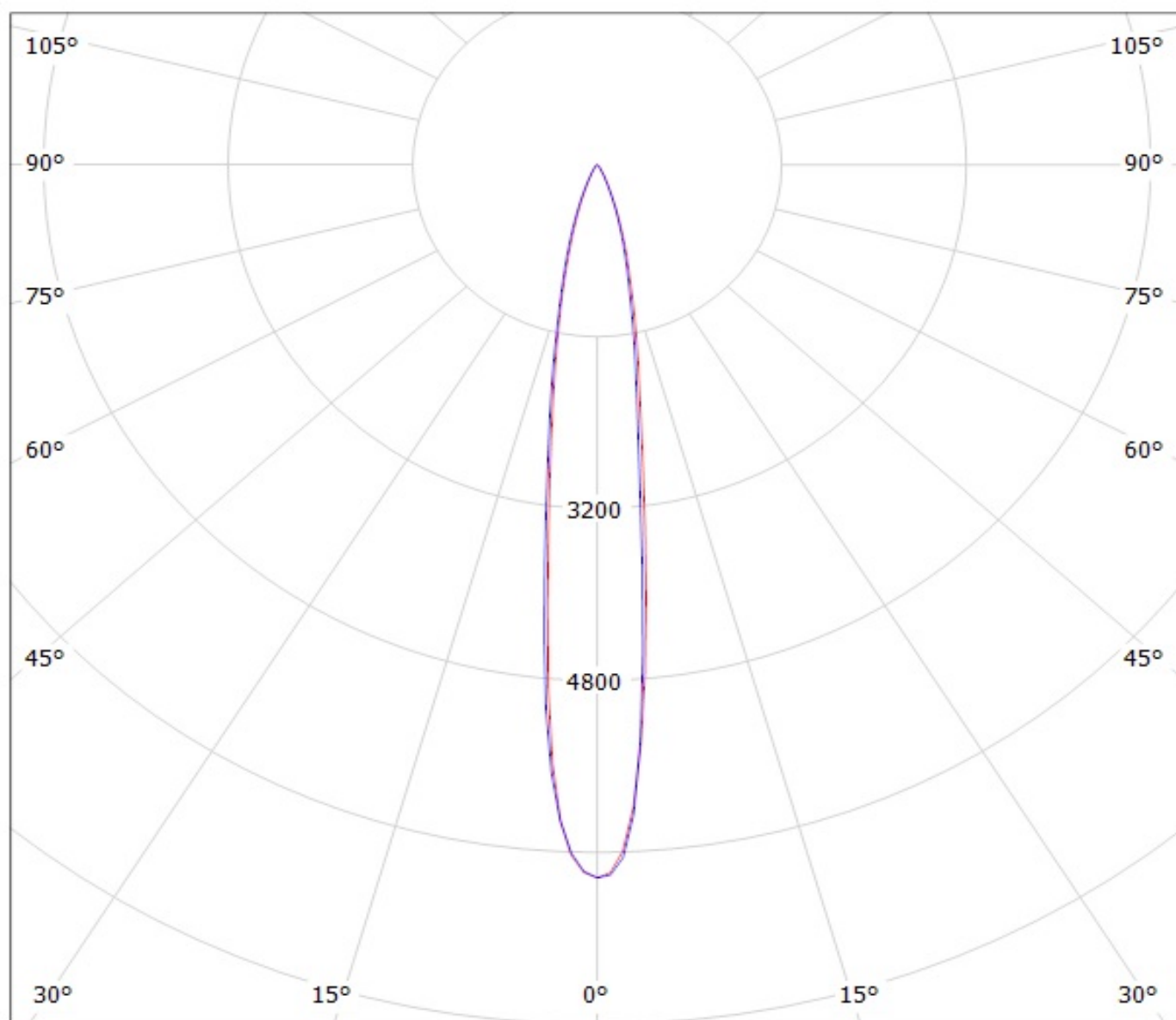
D

A

Luminaire: LEDil Oy FP11085\_LISA2-RS-CLIP\_(Luxeon\_Z\_ES) Efficiency=84%  
Lamps: 1 x Philips Lumileds Luxeon Z ES (LXZ2-3090) 50.4lm @ 250mA CCT=3200K P=0.7 I=250mA



Luminaire: LEDil Oy FP11085\_LISA2-RS-CLIP\_(Luxeon Z\_ES) Efficiency=84%  
Lamps: 1 x Philips Lumileds Luxeon Z ES (LXZ2-3090) 50.4lm @ 250mA CCT=3200K P=0.7 I=250mA



cd/klm

— C0 - C180    — C90 - C270

**NOTE: The typical divergence will be changed by different color, chip size and chip position tolerance. The typical total divergence is the full angle measured where the luminous intensity is half of the peak value.**