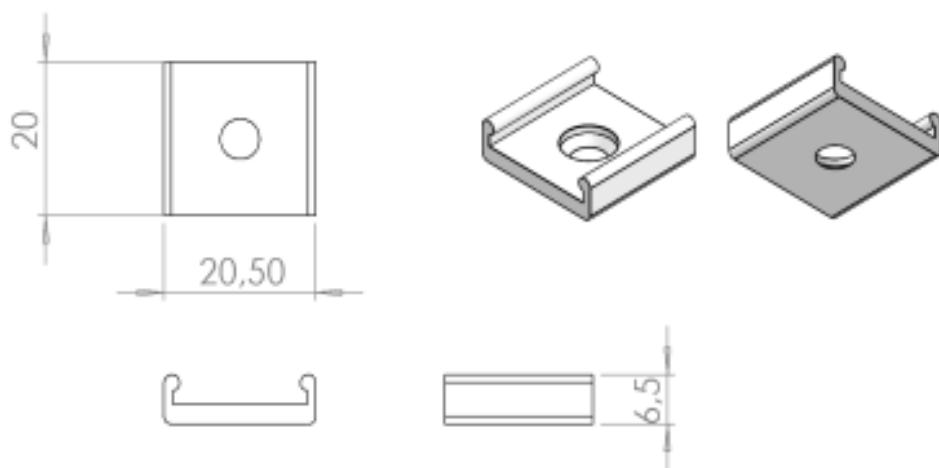
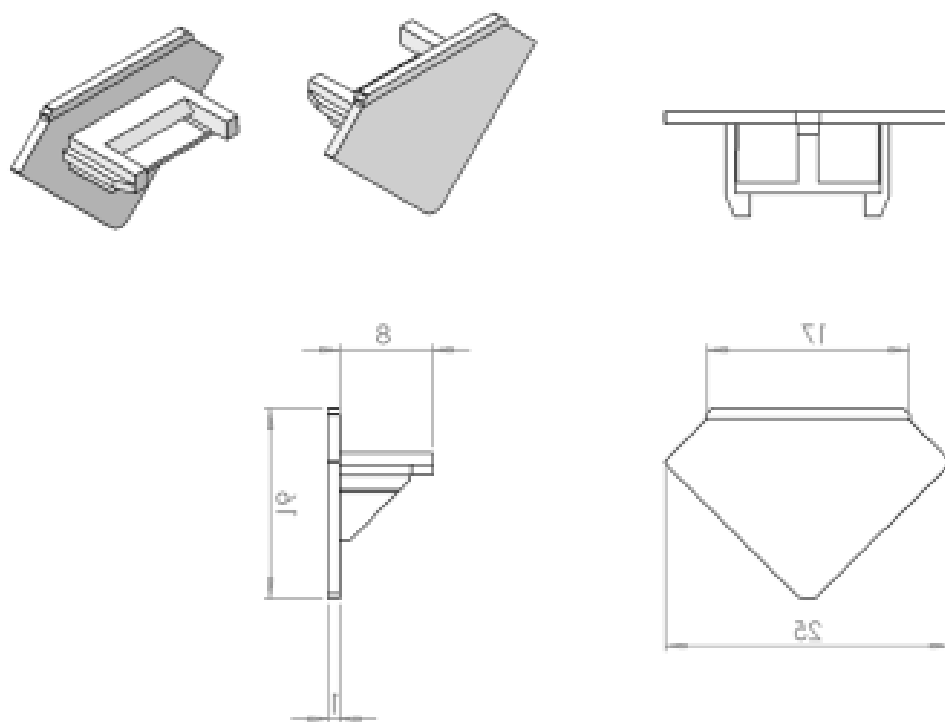

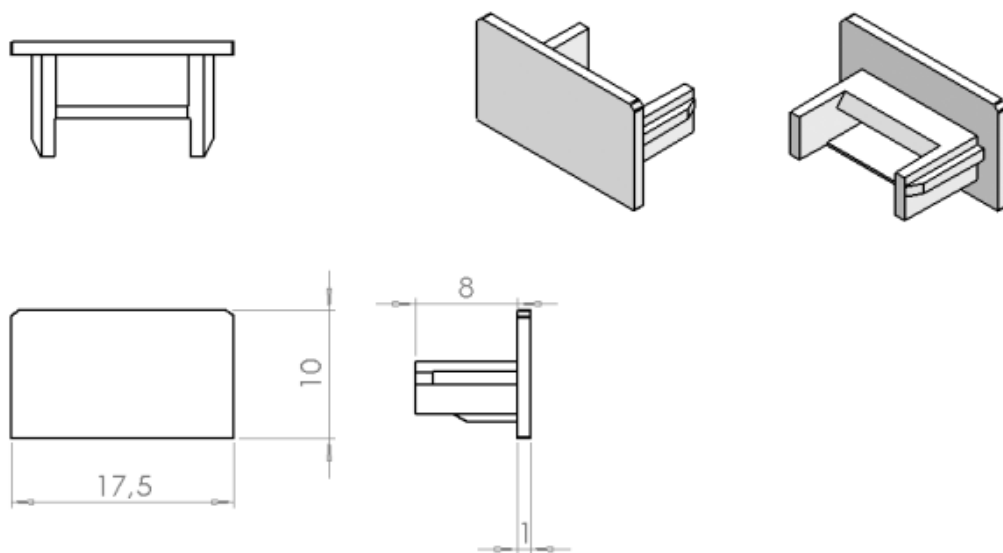
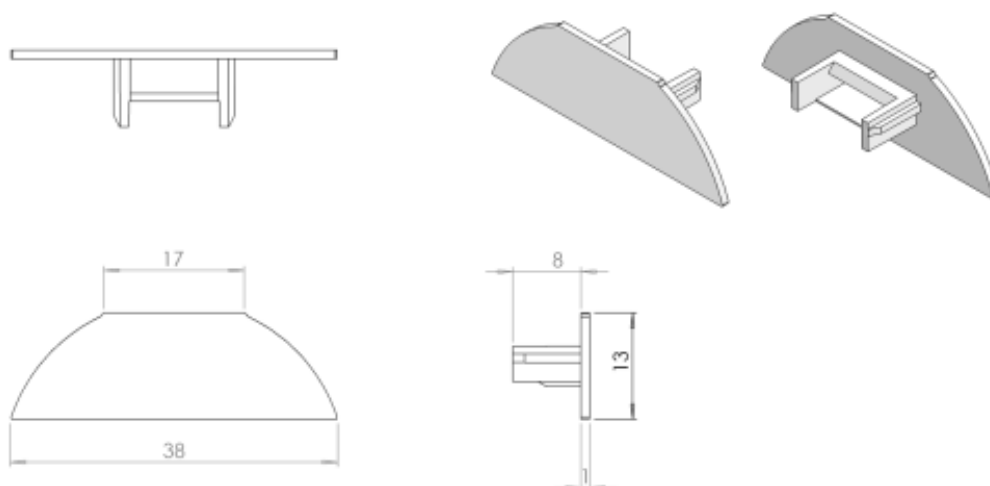


1. NPROFILE2-HOLDER-STANDARD

**2. P
ROFILE2-ENDCAP-ANGLE**


Contact:  + 48 606 349 150 | t.glebocki@niviss.com | www.niviss.com

NIVISS reserves the right to change, modify, add or remove above product specifications at any time without notice

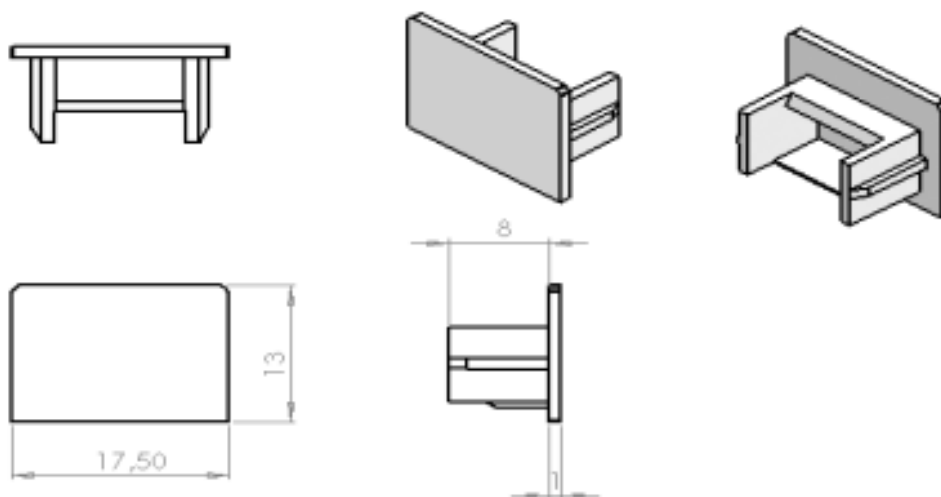
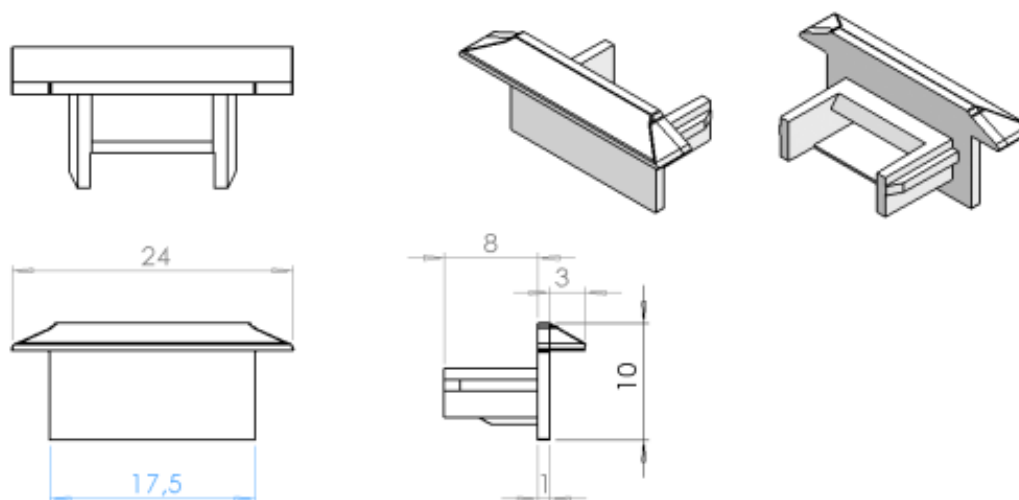
Copyright © NIVISS 2016-10-11 VA 10

3. NPROFILE2-ENDCAP-FLAT

4. NPROFILE2-ENDCAP-MOON



Contact:  + 48 606 349 150 | t.glebocki@niviss.com | www.niviss.com

NIVISS reserves the right to change, modify, add or remove above product specifications at any time without notice

Copyright © NIVISS 2016-10-11 VA 10

5. NPROFILE2-ENDCAP-STANDARD

6. NPROFILE2-ENDCAP-WING


Niviss reserves the right to change, modify, add or remove above product specifications at any time without notice

Contact:  + 48 606 349 150 | t.glebocki@niviss.com | www.niviss.com

NIVISS reserves the right to change, modify, add or remove above product specifications at any time without notice

Copyright © NIVISS 2016-10-11 VA 10