

**Product number CA13949_REBECCA-RGB**

Family	Rebecca	FWHM	23 degrees
Type	Assembly	Efficiency	67 %
LED	XM-L RGB	cd/lm	1.100
Color	White	Gerber File	Available
Diameter	42 mm		
Height	29.9 mm		
Style	Round		
Optic Material	PMMA		
Holder Material	-		
Fastening	["tape"]		
Status	Production ready		

Product number CA14557_REBECCA-RGB-WW

Family	Rebecca	FWHM	38 degrees
Type	Assembly	Efficiency	69 %
LED	XM-L RGB	cd/lm	0.980
Color	White	Gerber File	Available
Diameter	42 mm		
Height	29.9 mm		
Style	Round		
Optic Material	PMMA		
Holder Material	-		
Fastening	["tape"]		
Status	Production ready		

NOTE: The typical divergence will be changed by different color, chip size and chip position tolerance. The typical total divergence is the full angle measured where the luminous intensity is half of the peak value.



PRODUCT DATASHEET

Rebecca series

last update 18/7/2016

GENERAL INFORMATION

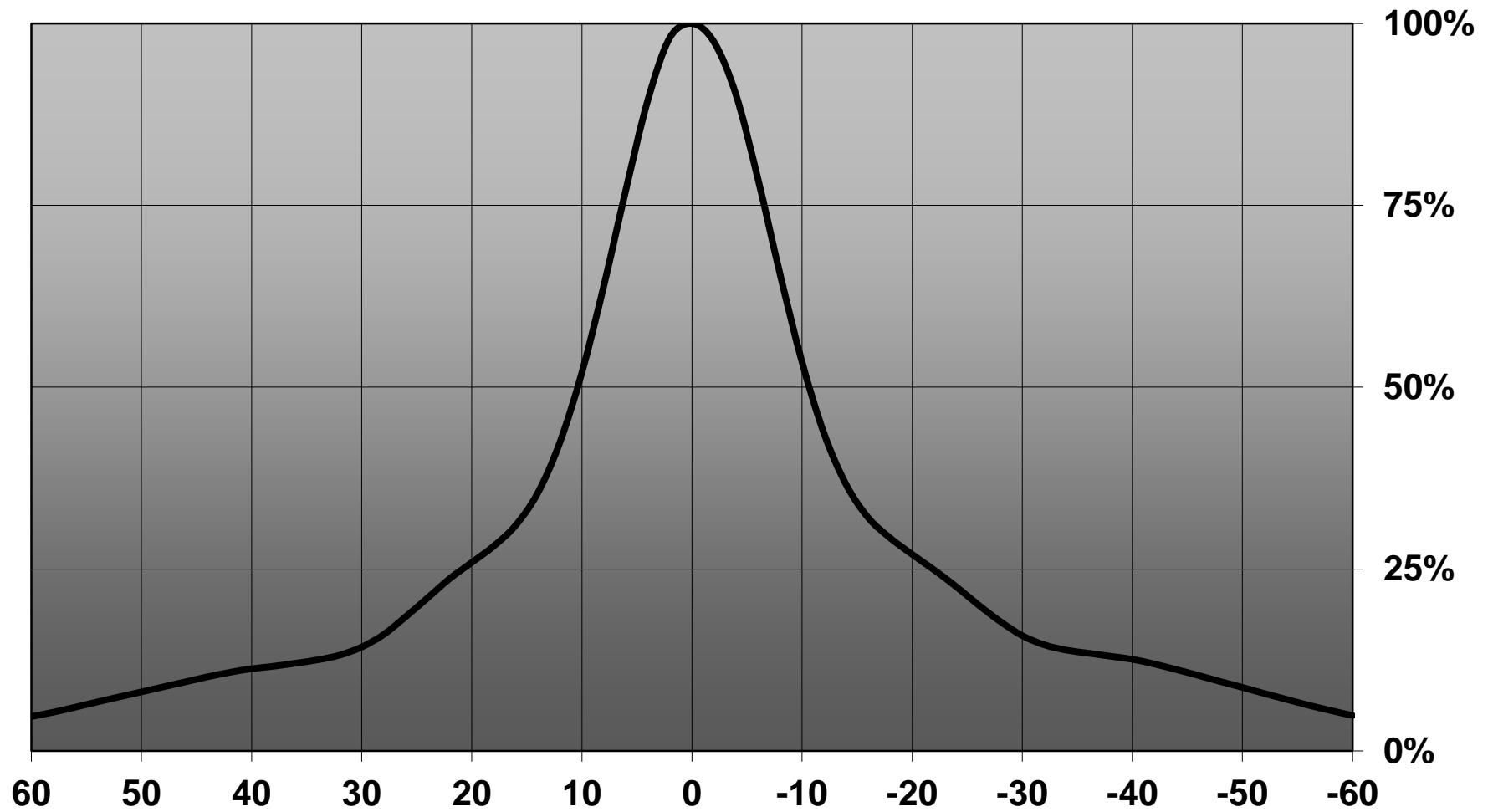
- Product series especially designed & optimized for XM-L RGB series of LEDs.
- Special care taken to make light distribution as uniform as possible.
- Lens material optical grade PMMA with high UV and temperature resistance. Allows use of high current and temperature conditions.

Please find more information about used material from below:

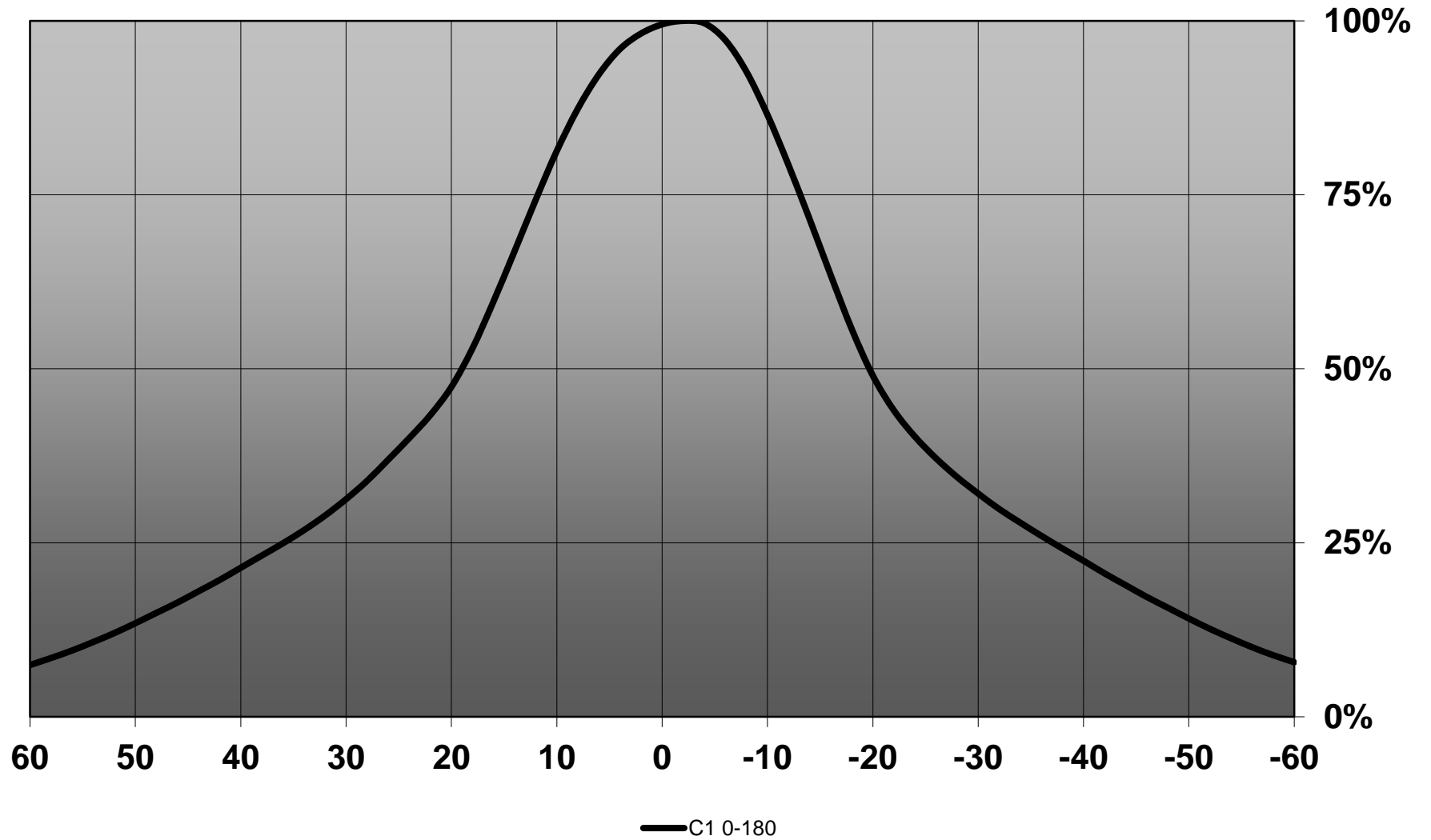
http://ledil.fi/sites/default/files/Documents/Technical/Material/PMMA%20N%20UL94_Yellow%20Card.pdf

<http://ledil.fi/sites/default/files/Documents/Technical/Material/PMMA%20N%20PLEXIGLAS-Datasheet.pdf>

Relative intensity of CA13949_REBECCA-**RGB**_(XM-L RGB)



Relative intensity of CA14557_REBECCA-**RGB-WW**_(XM-L RGB(W))

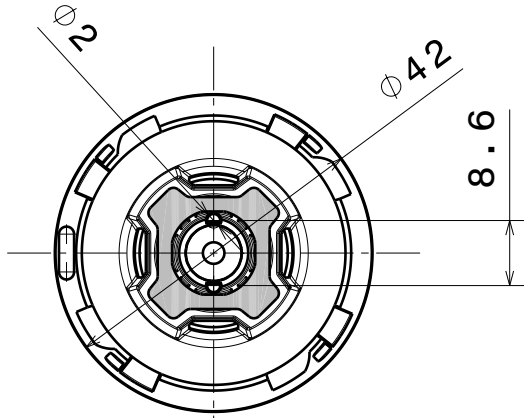


D

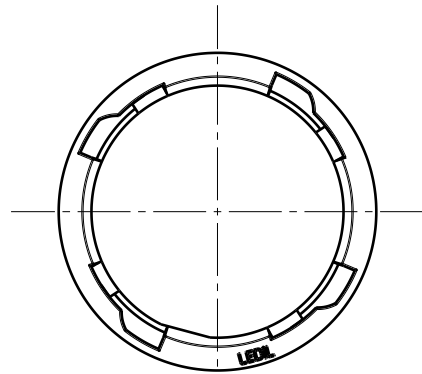
C

B

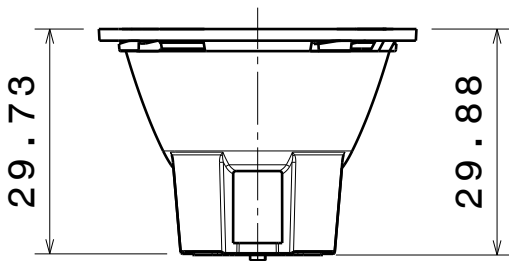
A



Bottom view



Top view



Front view

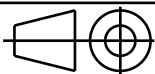
INDEX	PART NO	DESCRIPTION	MATERIAL	COLOUR
1	C14524	REBECCA-RZ-WW	PMMA	
2	C13910	REBECCA-RGB-HLD	PC	white
3	C11269	HEIDI-TAPE	adhesive foam tape	

Tolerances if not otherwise shown
According to DIN ISO 2768-1
Linear measures:
Up to 30mm class M, otherwise class C.
According to DIN ISO 2768-2
Form and position: class L

LEDiL

Ledil Oy
Salorankatu 10
FIN 24240 SALO
Finland

THIRD ANGLE PROJECTION:



DRAWING TITLE

CA14557_REBECCA-RGB-WW MechanicalDrawing

This drawing is the property
of LEDiL Oy. It may not be
reproduced, copied or
communicated without a written
agreement with LEDiL Oy."

SIZE PART NUMBER

A4

CA14557

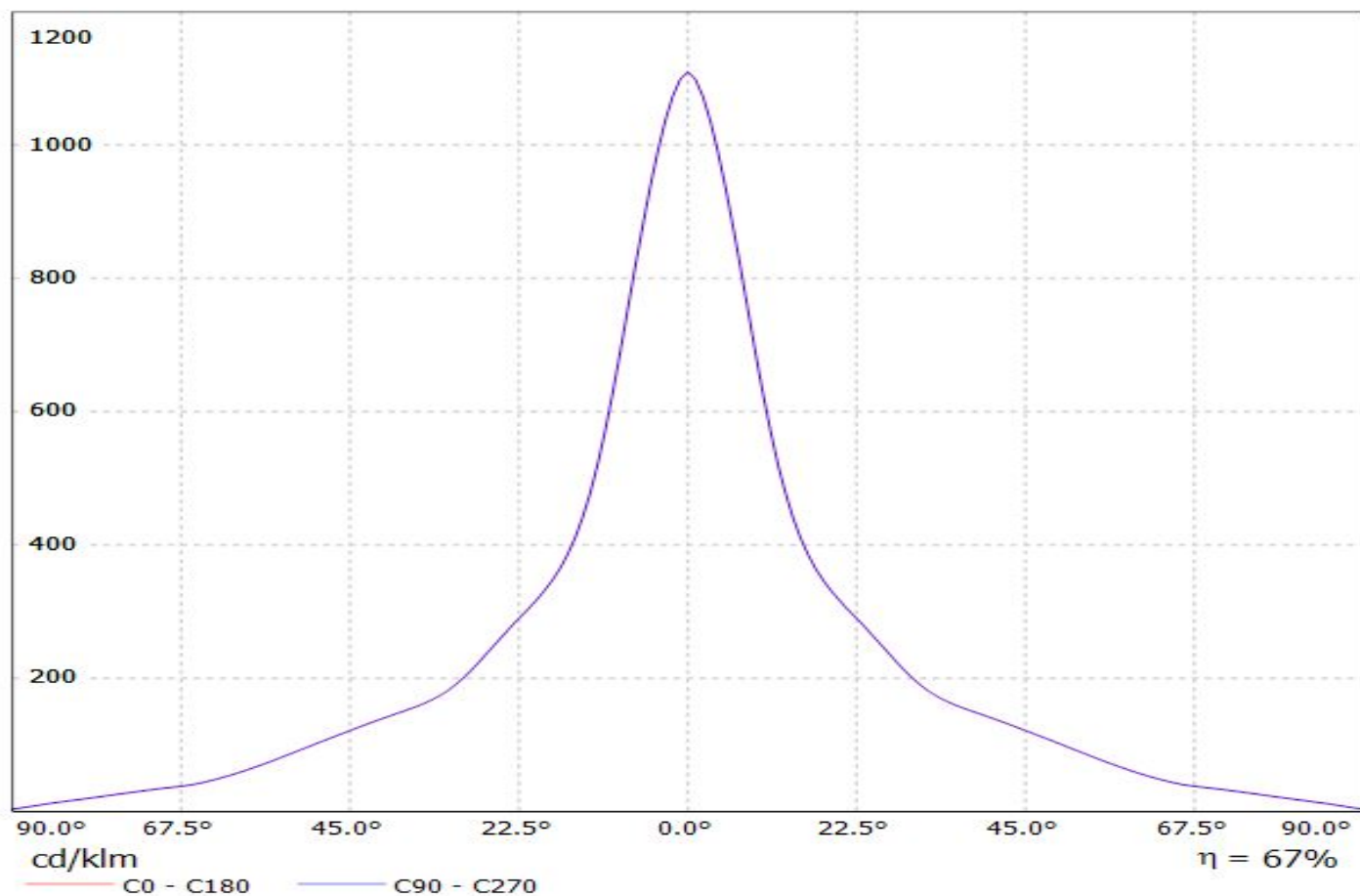
SCALE 1:1 WEIGHT -

SHEET 1/1

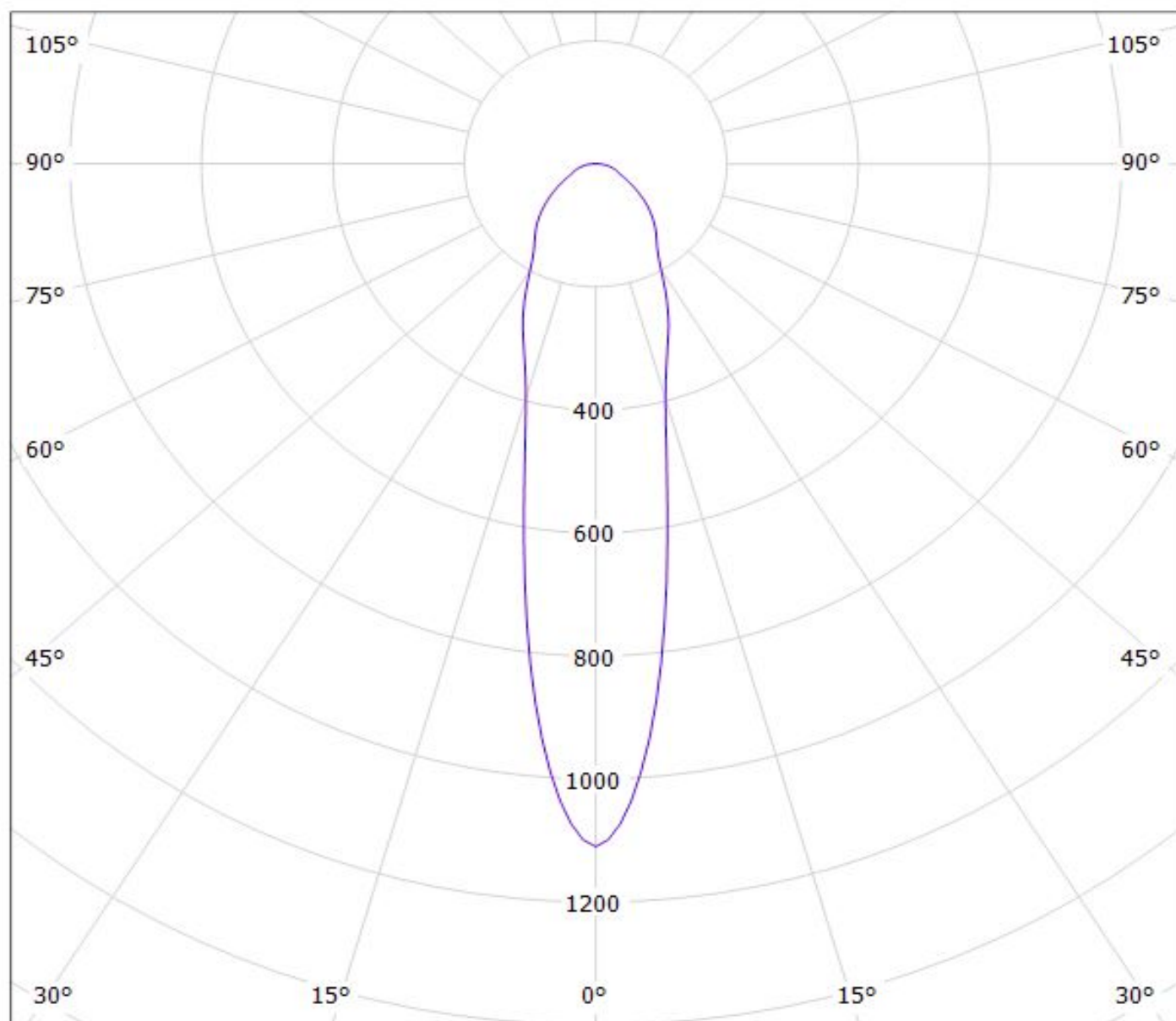
D

A

Luminaire: LEDiL Oy CA13949_REBECCA-RGB_(XM-L_RGBW) Eff.66.8%
Lamps: 1 x CREE_XM-L_RGBW_205.876lm@250mA_P=2.77789W_I=249.9mA



Luminaire: LEDiL Oy CA13949_REBECCA-RGB_(XM-L_RGBW) Eff.66.8%
Lamps: 1 x CREE_XM-L_RGBW_205.876lm@250mA_P=2.77789W_I=249.9mA



cd/klm

— C0 - C180

— C90 - C270

$\eta = 67\%$