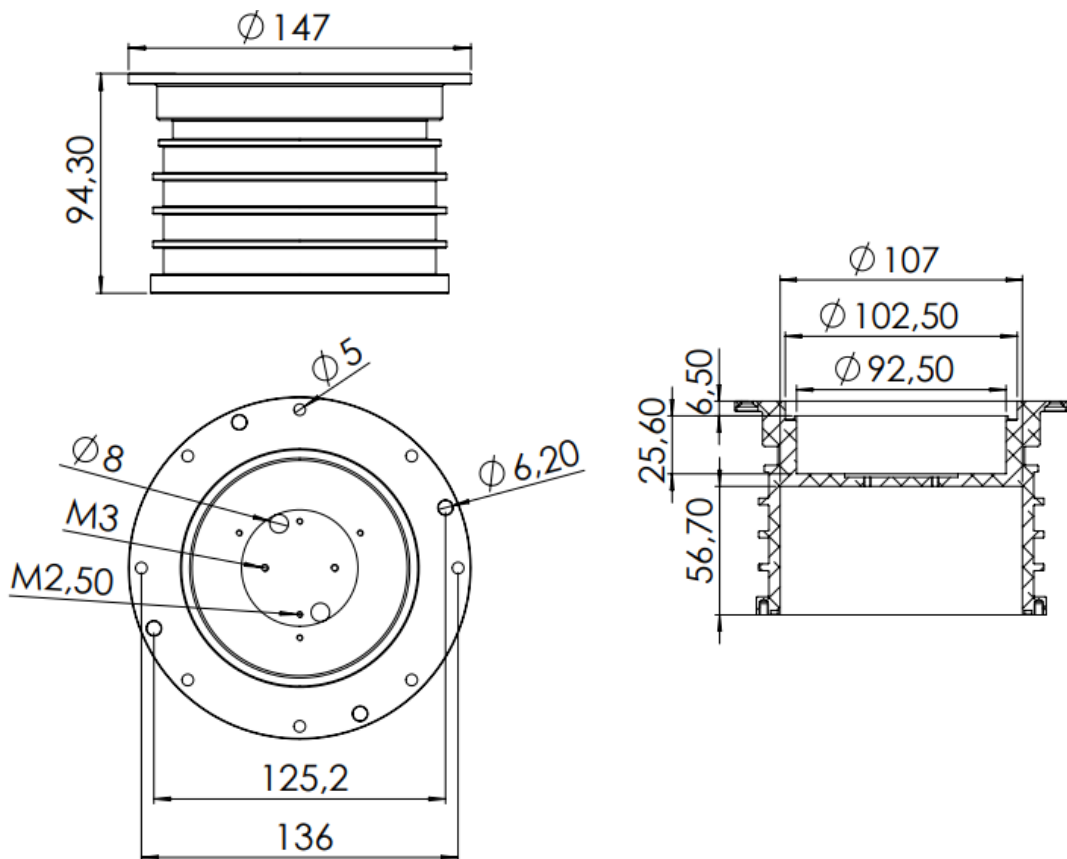



FEATURES

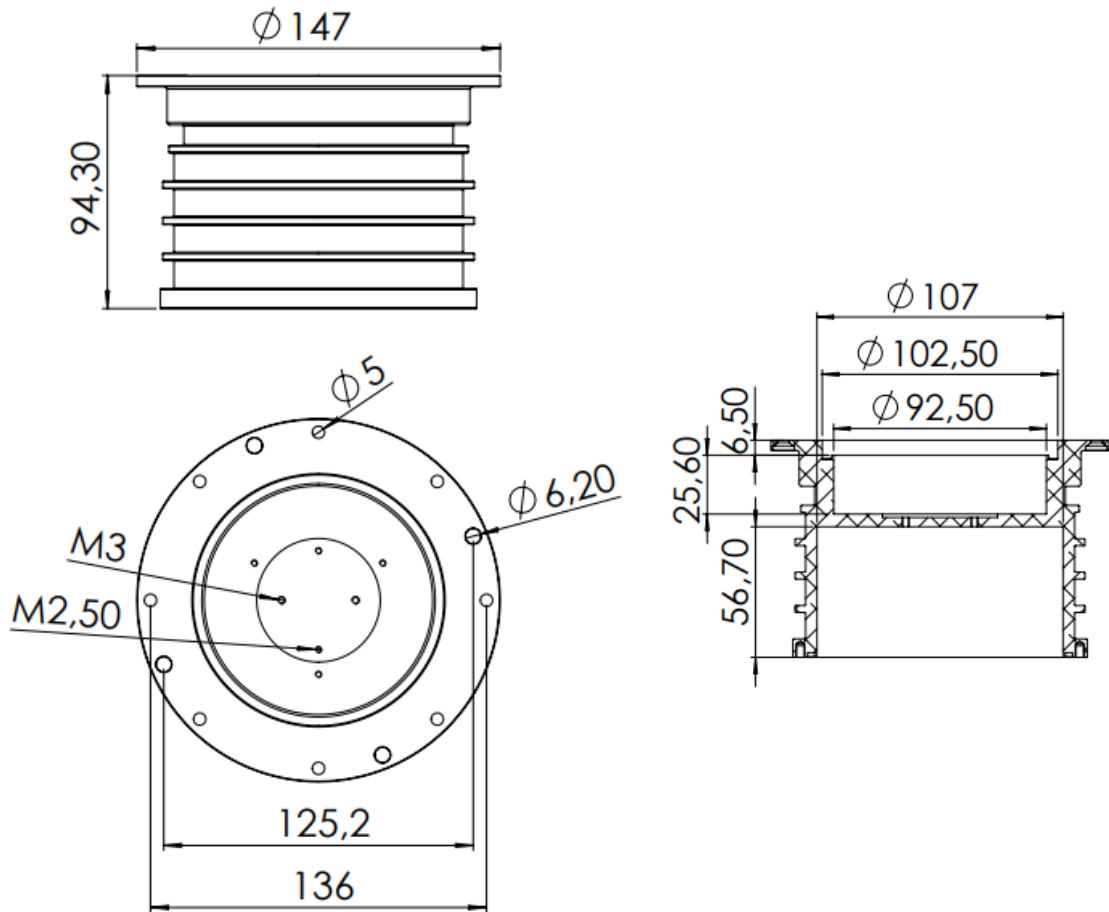
- Made of 316L or 6063-T5
- 3D model available

DIMENSIONS

DN160-CASE-6063-T5, DN160-CASE-STEEL



DN160-CASE-6063-T5-W


Ordering code

DN160-CASE-STEEL – DN160 case made of 316L

DN160-CASE-6063-T5 – DN160 case made of 6063-T5

DN160-CASE-6063-T5-W - DN160 case made of 6063-T5 (without 2 holes)