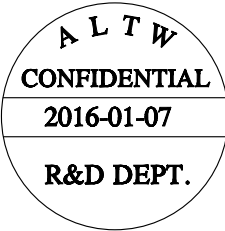
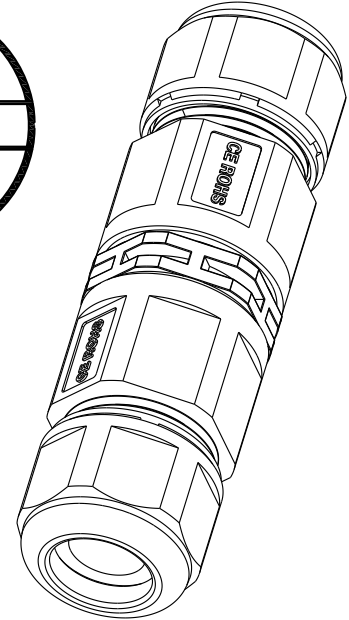
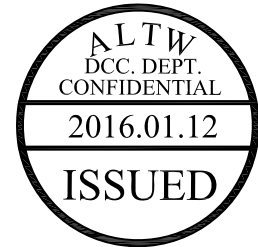
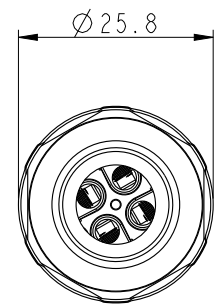
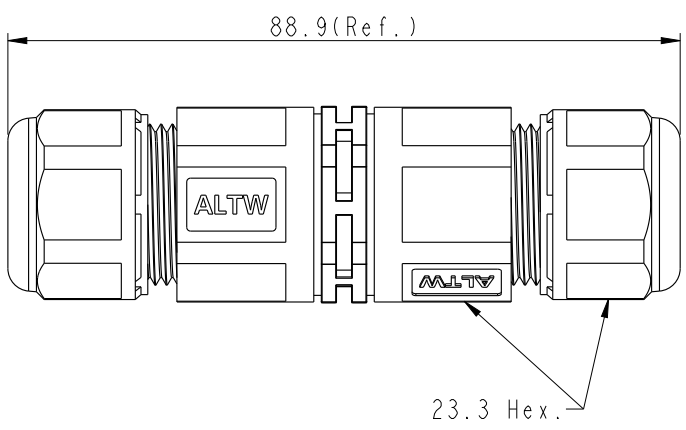
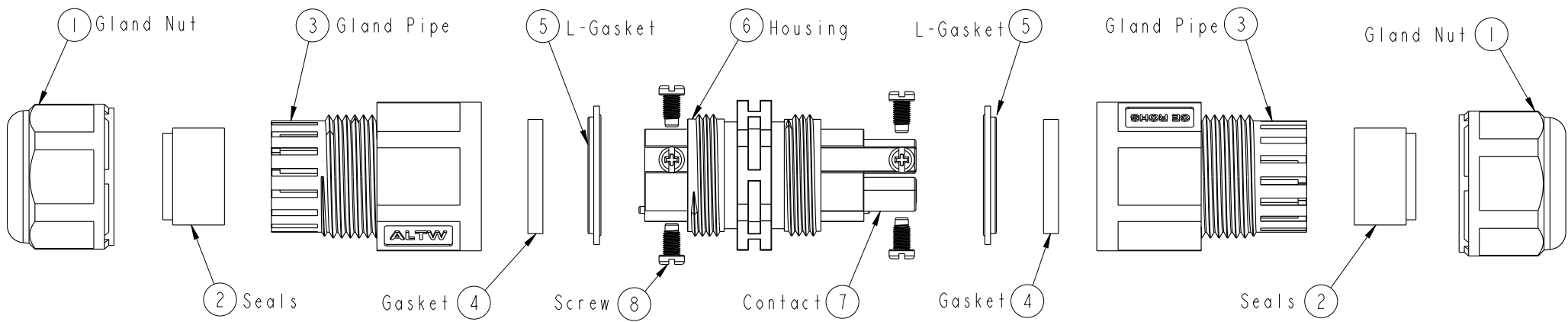


THIS DOCUMENT IS SUBJECT TO CHANGE WITHOUT NOTICE. IT IS CONFIDENTIAL AND A PROPERTY OF Amphenol LTW. DISCLOSURE TO THIRD PARTY HAS TO BE AUTHORIZED BY Amphenol LTW.

REV.	ECN NO.	DATE	SIGN	DESCRIPTION
A	Initial Release	2015/12/28	Joyy	Change Rev.01 To Rev.A



UNIT: mm		
TOLERANCE	.X ±0.25	
.XX ±0.1		
.XXX ±0.05		
ANGLES	±1°	

TITLE PG11 Cable Joiner Screw-in Type		
SCALE 1:1	SIZE A4	SHEET 1 OF 3
REV. A	WC-REV. A.6	☉: Inspection item

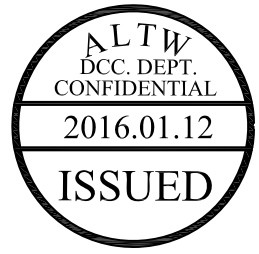
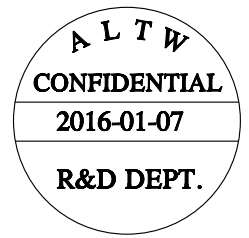
Amphenol LTW
安費諾亮泰企業股份有限公司

ITEM NO.	DRAWN BY Joyy	DATE 2015-12-28
DWG NO. SC-L-PG11-XX-XX	CHECKED BY Lu Di	DATE 2015-12-28
CUSTOMER ALTW	APPROVED BY Jerry	DATE 2015-12-28

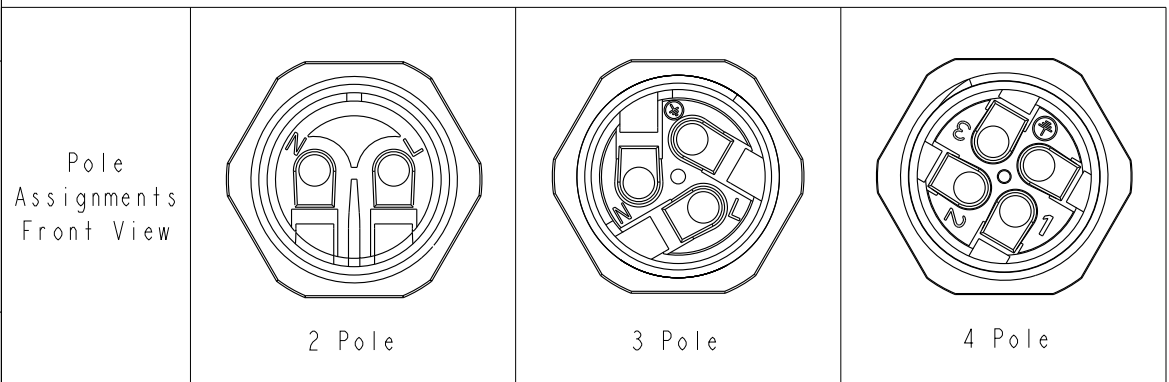
SC-L-PG11-XX-XX

L: Cable Joiner
Type: PG11

Seals Color: BL-Blue(藍色) For Cable Range: $\varnothing 4.5 \sim \varnothing 6.5\text{mm}$
 YW-Yellow(黃色) For Cable Range: $\varnothing 6.6 \sim \varnothing 8.5\text{mm}$
 GN-Green(綠色) For Cable Range: $\varnothing 8.6 \sim \varnothing 10.5\text{mm}$
 RD-Red(紅色) For Cable Range: $\varnothing 10.6 \sim \varnothing 12.5\text{mm}$
 No. of Conductor: 02-2Poles
 03-3Poles
 04-4Poles



- Note:
- * $\text{\textcircled{C}}$ Important Dimension To Check.
 - * Waterproof Rate: IP68 (50M, 24H)
 - * Housing: Nylon+GF, Black.
 - * Gland Nut: Nylon+GF, Black.
 - * Gland Pipe: Nylon, Black.
 - * Contact: Brass, Nickel Plated
 - * Gasket & L-Gasket : Silicone, Yellow.
 - * Seals: Silicone, Blue & Yellow & Green & Red.
 - * Rated Voltage: 2~4 Pole 450V AC Or DC
 - * Rated Current: 2 Pole Max. 30A ,
3 & 4 Pole Max. 20A.
 - * Operating Temperature: $-40 \sim 105^{\circ}$
 - * Gland Pipe Recommended Tightening Torque:
6~8 Kgf.cm(0.59~0.78 N.m)
 - * Gland Nut Recommended Tightening Torque:
6~8 Kgf.cm(0.59~0.78 N.m)
 - * Seals For Cable OD: $\varnothing 4.5 \sim \varnothing 6.5\text{mm}$, Blue.
 $\varnothing 6.6 \sim \varnothing 8.5\text{mm}$, Yellow.
 $\varnothing 8.6 \sim \varnothing 10.5\text{mm}$, Green .
 $\varnothing 10.6 \sim \varnothing 12.5\text{mm}$, Red.
 - * Screws for Wire connection recommended
tightening torque: 1.19~1.25 kgf.cm / 0.117~0.123 N.m
 - * Applicable Wire gauge (Stranded wire cross section)
0.82mm² (18AWG) ~ 2.1mm² (14AWG)



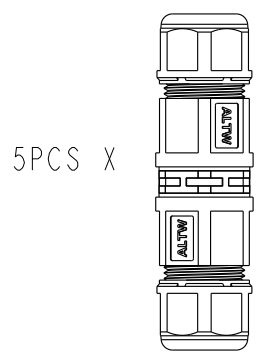
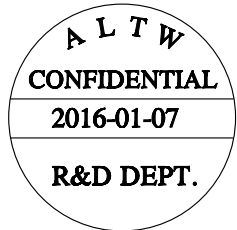
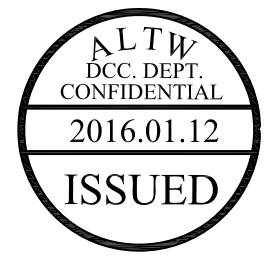
UNIT:mm	
TOLERANCE	
.X	± 0.25
.XX	± 0.1
.XXX	± 0.05
ANGLES	$\pm 1^{\circ}$

TITLE PG11 Cable Joiner Screw-in Type		
SCALE 1:1	SIZE A4	SHEET 2 OF 3
REV. A	WC-REV. A.6	$\text{\textcircled{C}}$: Inspection item

Amphenol LTW
安費諾亮泰企業股份有限公司

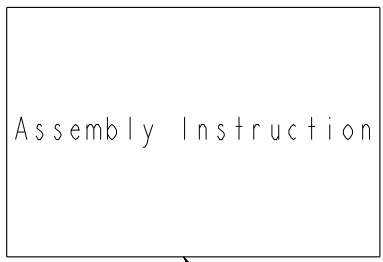
ITEM NO	DRAWN BY Joyy	DATE 2015-12-28
DWG NO SC-L-PG11-XX-XX	CHECKED BY Lu Di	DATE 2015-12-28
CUSTOMER ALTW	APPROVED BY Jerry	DATE 2015-12-28

THIS DOCUMENT IS SUBJECT TO CHANGE WITHOUT NOTICE. IT IS CONFIDENTIAL AND A PROPERTY OF Amphenol LTW. DISCLOSURE TO THIRD PARTY HAS TO BE AUTHORIZED BY Amphenol LTW.



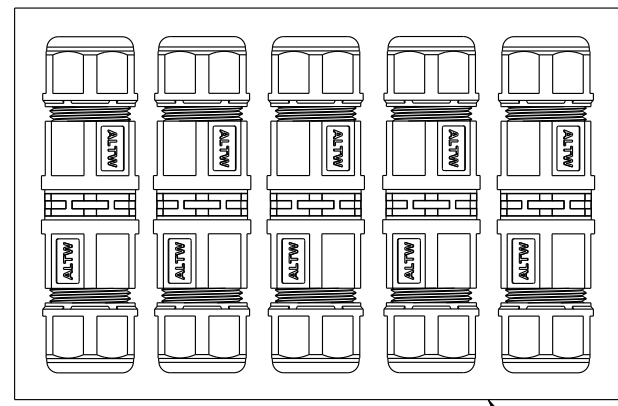
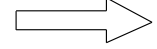
5PCS X

+



Assembly Instruction

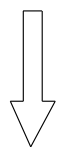
Put in



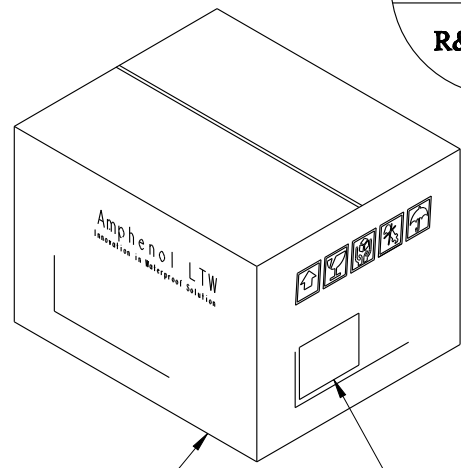
An assembly instruction and 5 products packed in PE bag.

10 PE Bag1

X 20Bags



Put in



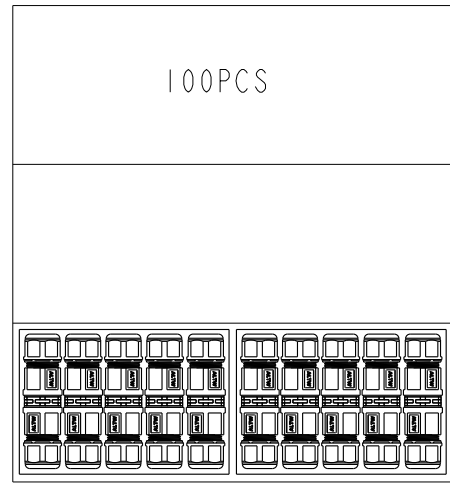
Carton 13

12 Label

Put in



Qty: 300 PCS

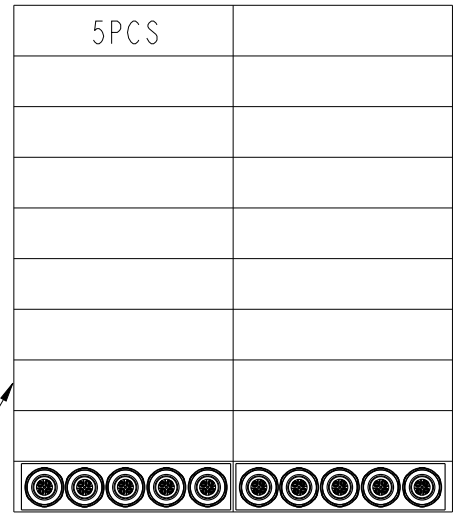


100PCS

A bag of each row, Each box put 3 rows, The total of 300 PCS

3Bags X

PE Bag2 11



5PCS

2 bags of each layer, Each bag put 10 layers, A total of 100 PCS.

UNIT: mm		
TOLERANCE	.X ±0.25	
	.XX ±0.1	
	.XXX ±0.05	
ANGLES	±1°	

TITLE PG11 Cable Joiner Screw-in Type		
SCALE 1:1	SIZE A4	SHEET 3 OF 3
REV. A	WC-REV. A.6	QC: Inspection item

Amphenol LTW
安費諾亮泰企業股份有限公司

ITEM NO	DWG NO
	SC-L-PG11-XX-XX
CUSTOMER	ALTW

DRAWN BY Joyy	CHECKED BY Lu Di
APPROVED BY Jerry	

DATE 2015-12-28	DATE 2015-12-28
DATE 2015-12-28	