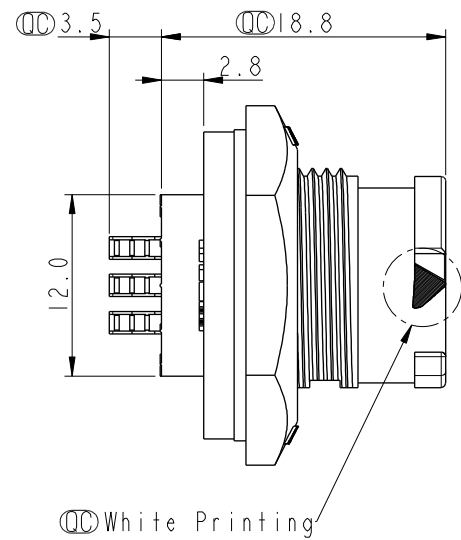
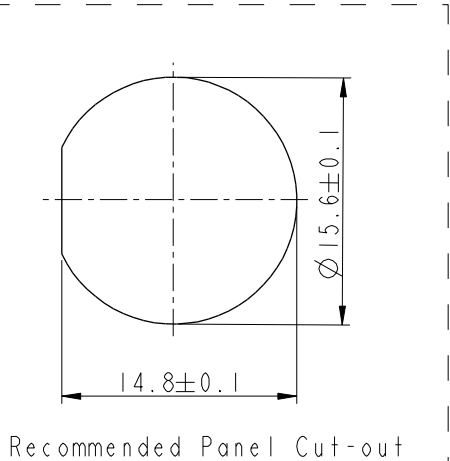
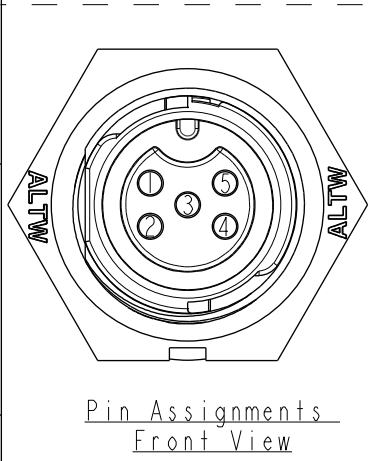
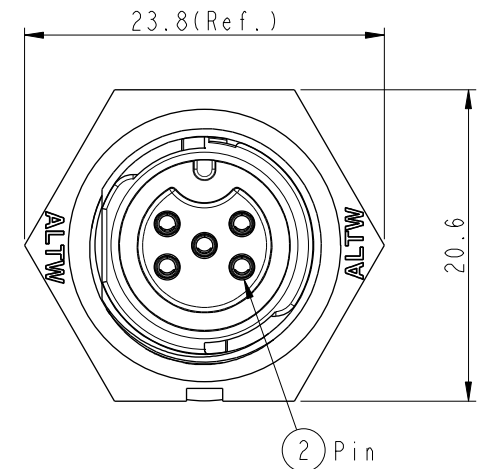
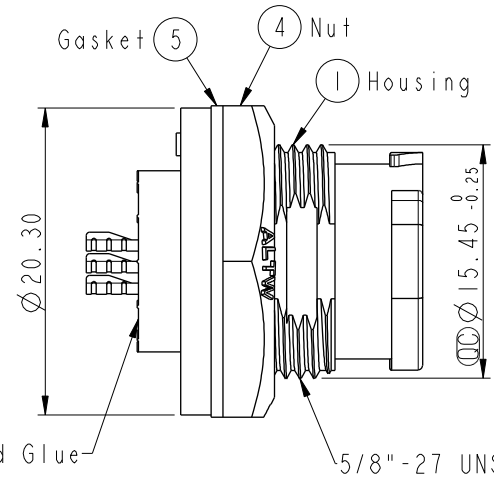
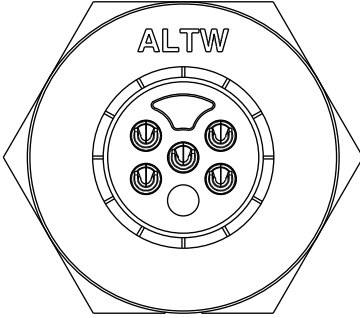


THIS DOCUMENT IS SUBJECT TO CHANGE WITHOUT NOTICE. IT IS CONFIDENTIAL AND A PROPERTY OF Amphenol LTW. DISCLOSURE TO THIRD PARTY HAS TO BE AUTHORIZED BY Amphenol LTW.

| REV. | ECN NO. | DATE       | SIGN  | DESCRIPTION |
|------|---------|------------|-------|-------------|
| B    | CI90411 | 2019/03/19 | Vicky | Change Note |

**ALTW**  
 CONFIDENTIAL  
 2019-03-19  
 R&D DEPT.



- Note:**
- \*  $\varnothing$  Important Dimension To Check.
  - \* Waterproof Rate: IP68, Unmated. In 1 meter water within 24 hours
  - \* Housing: Thermoplastic, Black.
  - \* Pin: Copper Alloy, Gold Plated.
  - \* Nut: Thermoplastic, Black.
  - \* Gasket: Rubber, Gray.
  - \* Use Without Waterproof Cap  
Panel Thickness Max: 4.0mm
  - \* Use With Waterproof Cap  
Panel Thickness Max: 3.0mm
  - \* Gasket and Nut are packed separately in PE bags.

**UNIT:mm**  
 TOLERANCE  
 .X ±0.25

TITLE  
 X Lok B-Size  
 Receptacle M Conn F 5 Pin  
 SCALE 2:1 SIZE A4 SHEET 1 OF 1  
 REV. B WC-REV. A.4  $\varnothing$ : Inspection item

**Amphenol LTW**  
 安費諾亮泰企業股份有限公司

| ITEM NO          | DWG NO           | CUSTOMER | DRAWN BY | CHECKED BY | APPROVED BY | DATE       |
|------------------|------------------|----------|----------|------------|-------------|------------|
| BD-05PMFS-QC8001 | BD-05PMFS-QC8001 | ALTW     | Vicky    | Rita       | Max         | 2019-03-19 |