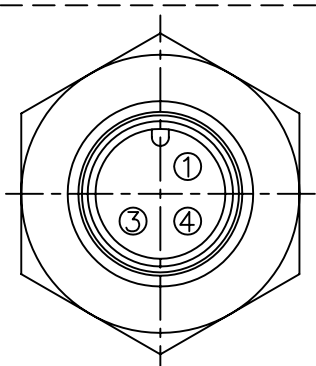
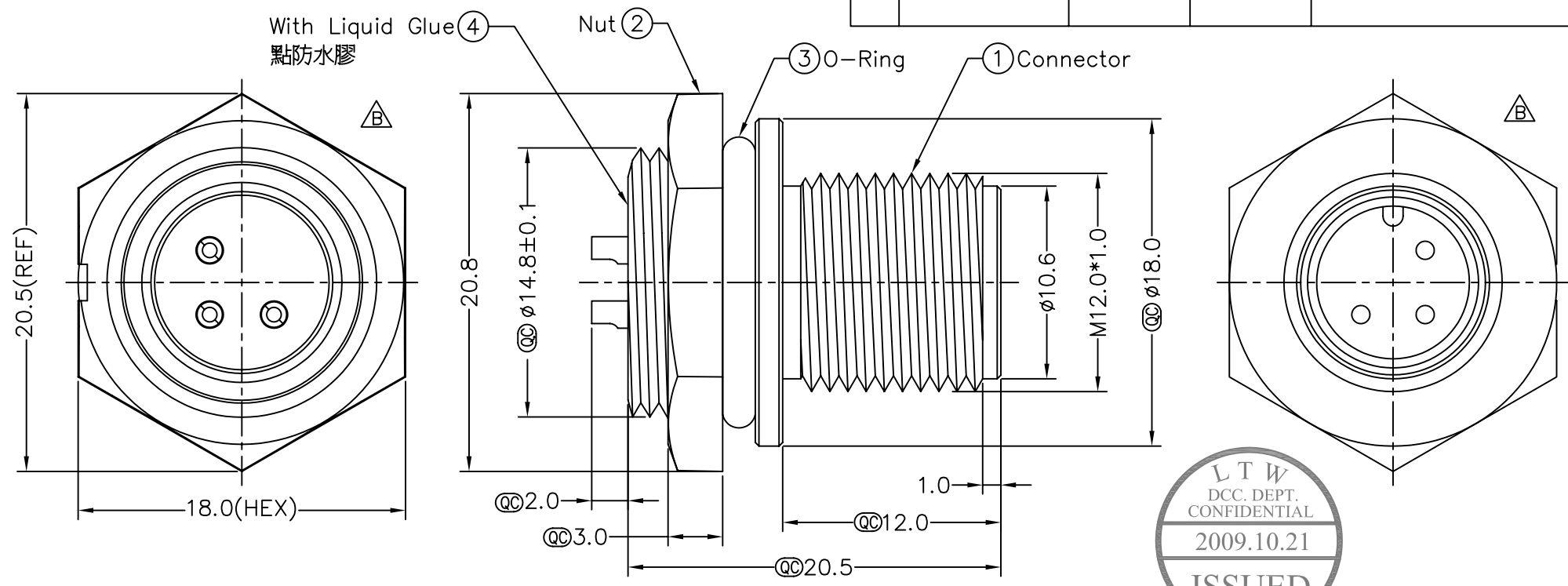
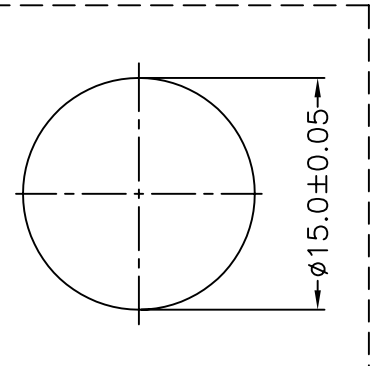


REV.	ECN NO.	DATE	SIGN	DESCRIPTION
B	LE3-9A0062	2009/09/29	Li Xiu Zhi	Change View.

THIS DOCUMENT IS SUBJECT TO CHANGE WITHOUT NOTICE. IT IS CONFIDENTIAL AND A PROPERTY OF LTW. DISCLOSURE TO THIRD PARTY HAS TO BE AUTHORIZED BY LTW.



Pin Assignments
Front View 前視圖



Recommended
Panel Cut-Out

- Note:
- * @@ Important Dimension.
 - △ * Waterproof Rate: IP68.
In 1 meter water within 24 hours.
 - * Connector: Nylon+GF, Black.
 - * Male Pin: Copper Alloy, Gold Plated.
 - * Nut: Nylon+GF, Black.
 - * O-Ring: EPDM, Black.
 - △ * For Panel Thickness Max 2.2mm.

UNIT:mm		TITLE		ITEM NO	DRAWN BY	DATE
		M12.0 3Pin Male Sensor Connector				
TOLERANCE		SCALE	SHEET	DWG NO	CHECKED BY	DATE
.X ±0.25		Free	1 OF 1	LTWM12P-03PMMS-SC	Sunny	2009/09/29
.XX ±0.1		REV.	SIZE	CUSTOMER	APPROVED BY	DATE
.XXX ±0.05		B	A4		Lion	2009/10/20
ANGLES ±1°		@@ : Inspection Item		8 QP02C-01-01A2		

LTW
亮泰企業股份有限公司