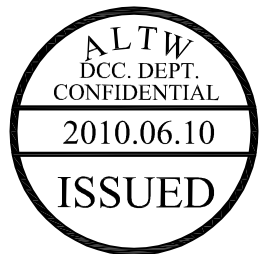
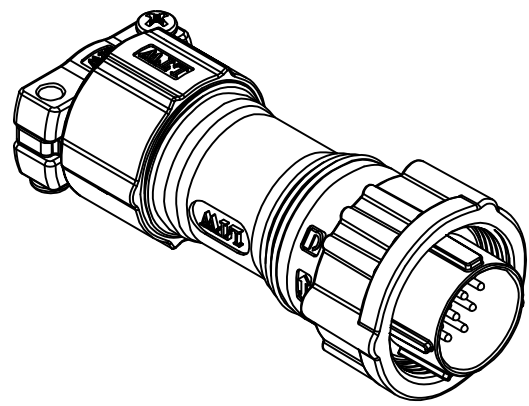
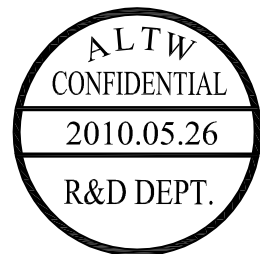
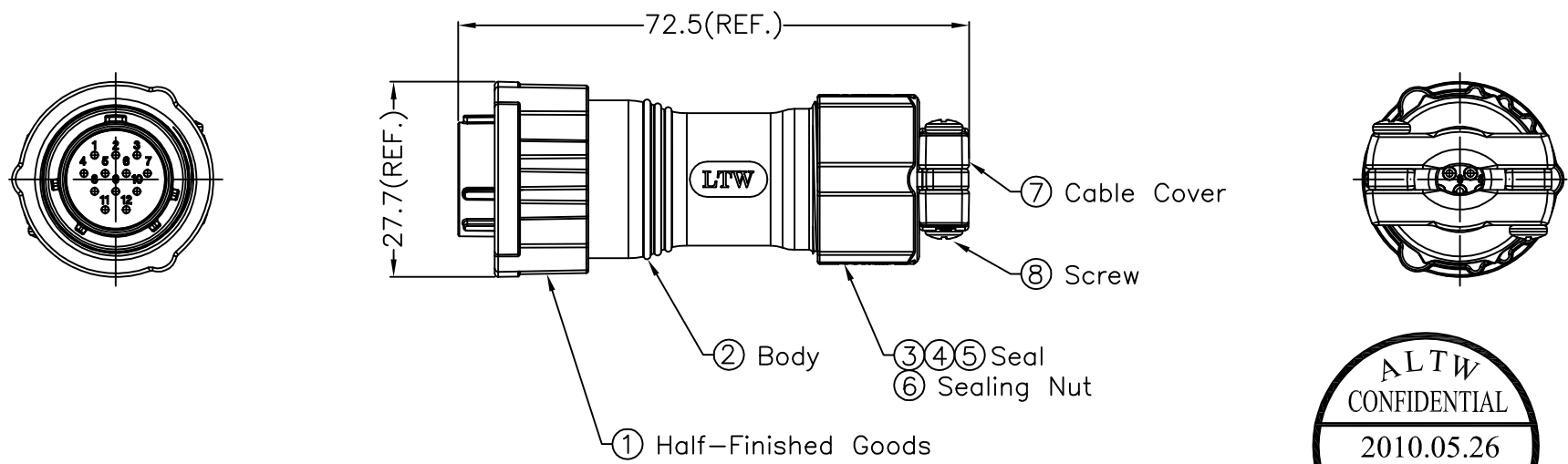


REV.	ECN NO.	DATE	SIGN	DESCRIPTION
A	Initial Release	2010/03/17	Jessie	Form Rev.01 To A
B	LE3-060090	2010/05/26	Jessie	Modify Note and Shell Plated



- Note:
- * @C Important Dimension.
 - * Waterproof Rate: IP68.
 - △ IP68: 1M depth of water in 24 Hrs. (防水等級: IP68) IP68: 水深一米測試 24 小時 .
 - * Cable OD: $\phi 5.5\text{mm} \sim \phi 12.5\text{mm}$.
 - * Gasket: Silicone ,Gray.
 - △ * Shell: Zinc Alloy ,Ni Plated ,Silver.
 - * Male Pin: Copper Alloy ,Silver Plated.
 - * Insulation: Nylon ,Black.
 - ⑨ * One Set Assembled in one PE Bag.

UNIT:mm		TITLE Circular II Series 12 Pin Assy	
TOLERANCE		SCALE Free	SHEET 1 OF 1
.X	±0.25	REV. B	SIZE A4
.XX	±0.1	⑨ :Inspection Item	
.XXX	±0.05		
ANGLES	±1°		

Amphenol LTW
安費諾亮泰企業股份有限公司

ITEM NO LD20-12BFMA-SL8001	DRAWN BY Jessie	DATE 2010/05/26
DWG NO LD20-12BFMA-SL8001	CHECKED BY Jimmy	DATE 2010/05/27
CUSTOMER ALTW	APPROVED BY Win	DATE 2010/06/01

THIS DOCUMENT IS SUBJECT TO CHANGE WITHOUT NOTICE. IT IS CONFIDENTIAL AND A PROPERTY OF Amphenol LTW. DISCLOSURE TO THIRD PARTY HAS TO BE AUTHORIZED BY Amphenol LTW.

A B C D E F

1 2 3 4 5 6 7 8