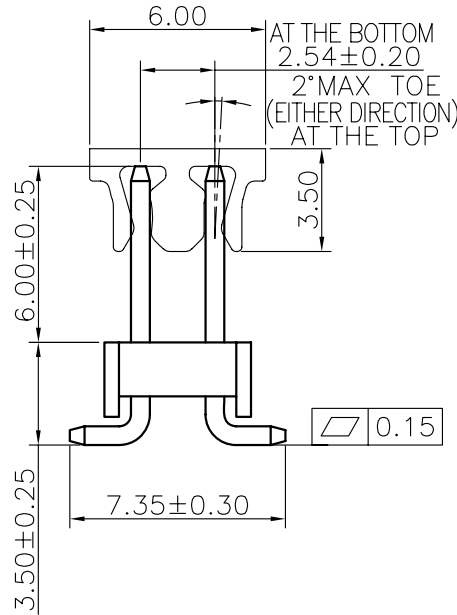
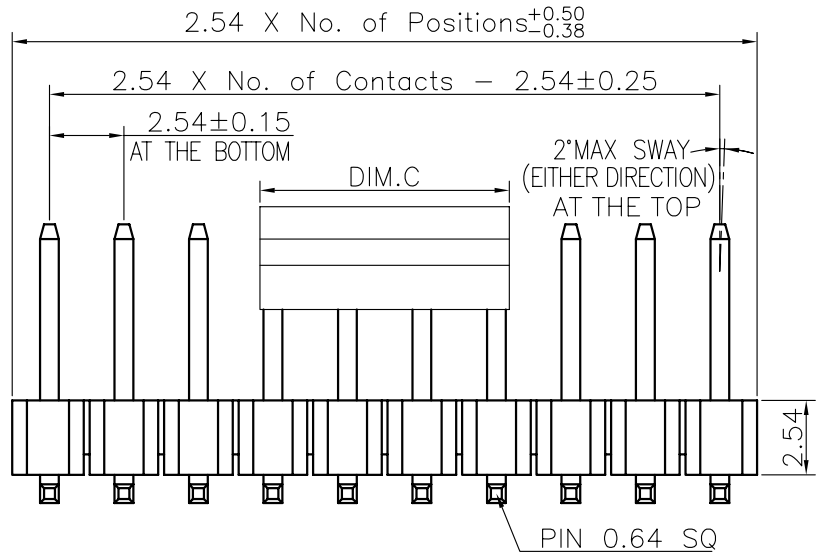
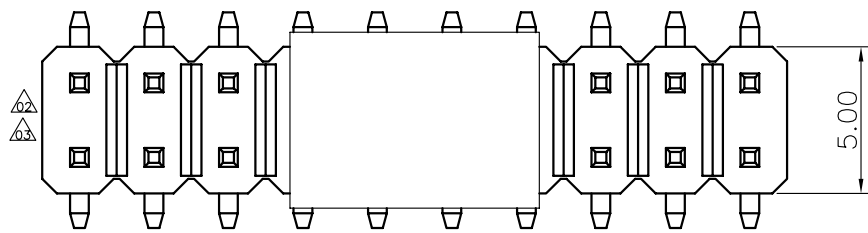


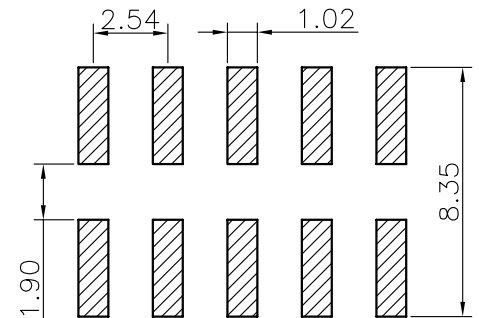
REV.	LOCAS.	DESCRIPTION	DATE	DRAWN
01	NEW	BATCH PRODUCTION INITIAL RELEASE.	2013.12.20	李芳忠
02	62	長pin產品起曲嚴重,更改塑膠配方(GCR1401001)	2014.01.14	吳才仙
03	63	依業務要求變更塑膠配方(SECR1409008)	2014.09.11	李芳忠

Specifications

Current Rating:3Amp
 Insulation Resistance:1000MΩMin.
 Dielectric Withstanding Voltage:600VAC
 Contact Resistance:20mΩMax.
 Operating Temperature:-40°C to +105°C
 Materials
 Contact Material: Brass
 Insulator Material:High Temperature Thermoplastic, UL 94V-0 Nylon 6T(Halogen Free) or the equivalent material
 All materials must meet Greenconn hazardous substances control standards.



Recommended P.C.Board Layout
 (Tolerance:±0.05)



Ordering Information

G PHC201 - XX XX A 152 R 1 B X

No. Of Pins Per Row 02~40
 Standard Plating 02=Gold Flash Selective Plating 01=Tin 05=Gold Flash/Tin
 Color 1=Black
 Standard Packing C=Tube Selective Packing A=Box E=Cap+Tube F=Cap+Tape&Reel

Dim.C	NOTE
5.00	02Pin
6.00	03~08Pin
8.50	09~40Pin

格菱股份有限公司
Greenconn Corporation

GENERAL TOLERANCE	
X.*±5.0°	X.±0.30
.X*±3.0°	.X±0.25
.XX*±2.0°	.XX±0.15
.XXX*±1.0°	.XXX±0.10

DESIGNED: 李芳忠	DATE: 2014.09.11
CHECKED:	DATE:
CO SIGNED: 劉北平	DATE: 2014.09.11
APPROVED:	DATE:

DWG. NO.	GPHC201-CA152RB
PART NO.	GPHC201-XXXX A152R1BX

TITLE:
 2.54 PIN HEADER
 DUAL ROWS SMT TYPE
 CONNECTOR

REV.	UNIT.	SCALE.	PAGE.
03	mm	4:1	1/1