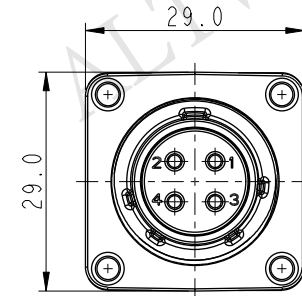
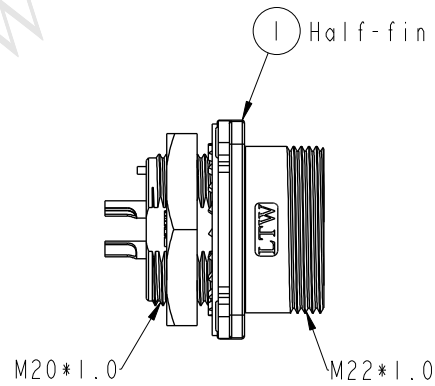
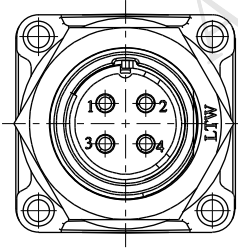
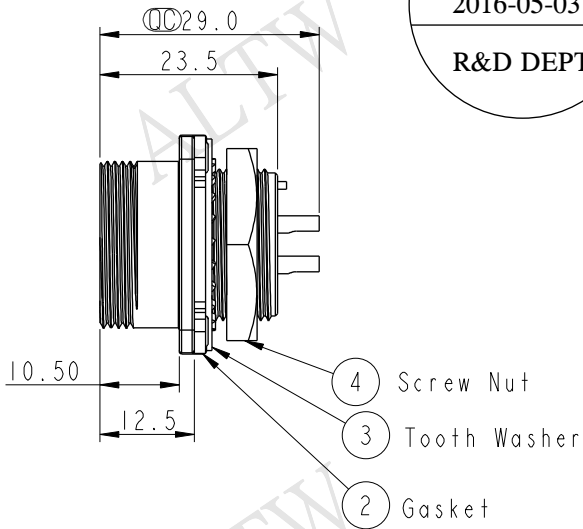
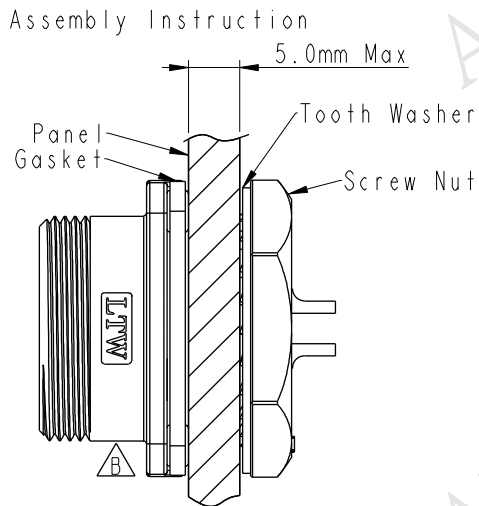
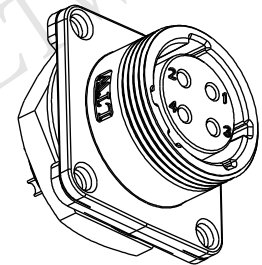


REV.	ECN NO.	DATE	SIGN	DESCRIPTION
A	Initial Release	2012/11/07	Ruru	HB20-04RMFS-SS8001 To HB20-04PMFS-SN8001
B	LEN14A0095	2014/09/13	Feng_Li	Change Logo Dorection
C	LE31650207	2016/05/03	Vicky	Update Note

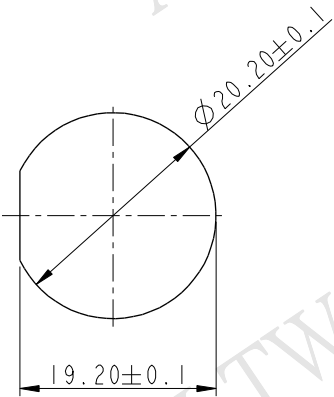
**ALTW**  
**CONFIDENTIAL**  
 2016-05-03  
**R&D DEPT.**



**ALTW**  
**DCC. DEPT.**  
**CONFIDENTIAL**  
 2016.05.13  
**ISSUED**



- △ Note:
- \* ⌀ Important Dimension.
  - \* Waterproof Rate: IP68.  
IP68: 1M depth of water in 24 Hrs.  
(防水等級: IP68)  
IP68: 水深一米測試 24 小時
  - \* Shell: Zinc Alloy ,Electrodeposition Coating ,Black.
  - \* Insulation: Nylon ,Black.
  - \* Female Pin: Copper Alloy ,Gold Plated.
  - \* Gasket: Silicone ,Gray.
  - \* Recommended Panel Thickness 5.0mm(Max).



Recommend Panel Cut-Out

UNIT: mm TOLERANCE .X ±0.25 .XX ±0.1 .XXX ±0.05 ANGLES ±1°	TITLE <b>PANEL NUT 4PIN M CONN F PIN</b>		<b>Amphenol LTW</b> <b>安費諾亮泰企業股份有限公司</b>		ITEM NO HB20-04PMFS-SN8001	DRAWN BY Vicky	DATE 2016-05-03
	SCALE 1:1	SIZE A4			DWG NO HB20-04PMFS-SN8001	CHECKED BY Rita	DATE 2016-05-03
	REV. C	WC-REV. A.3	SHEET 1 OF 1	APPROVED BY Lisa	DATE 2016-05-03		
	⌀ Inspection item		CUSTOMER ALTW				

THIS DOCUMENT IS SUBJECT TO CHANGE WITHOUT NOTICE. IT IS CONFIDENTIAL AND A PROPERTY OF AMPHENOL LTW. DISCLOSURE TO THIRD PARTY HAS TO BE AUTHORIZED BY AMPHENOL LTW.