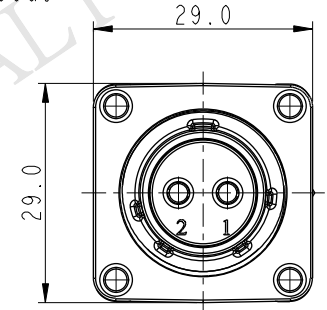
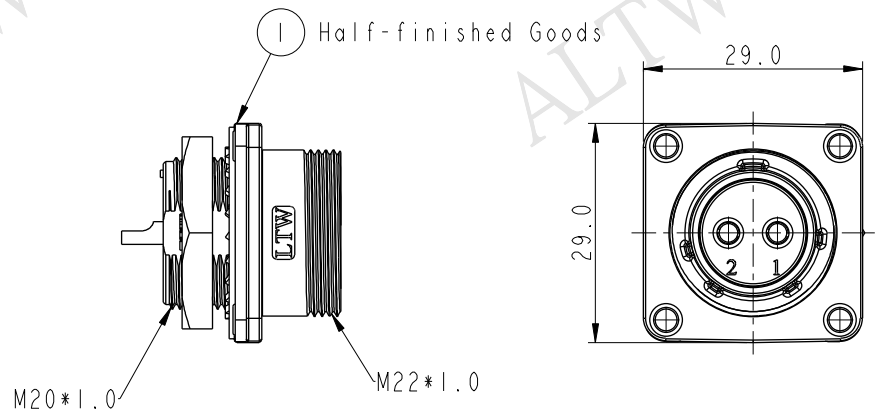
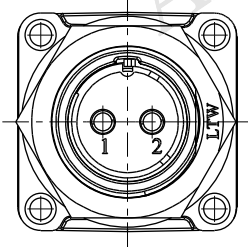
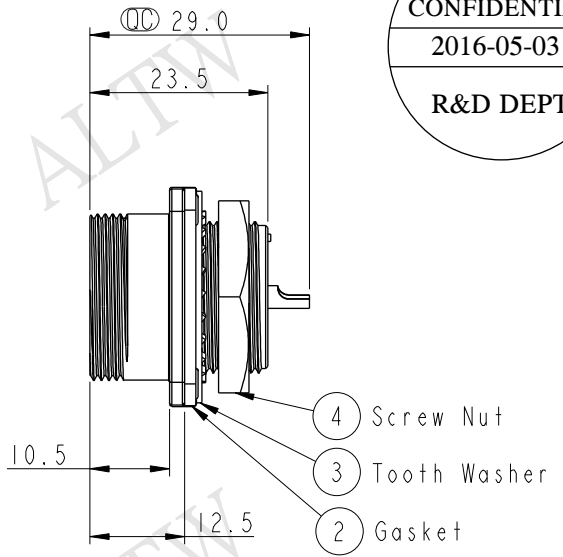
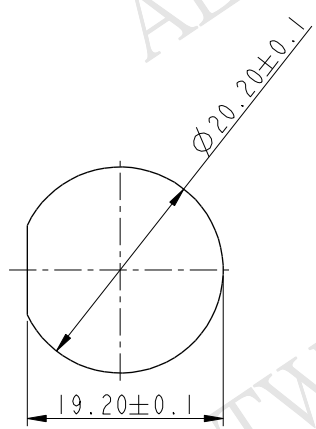
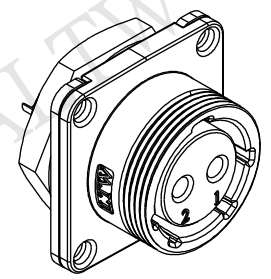


REV.	ECN NO.	DATE	SIGN	DESCRIPTION
A	Initial Release	2012/10/22	Ruru	HC20-02RMFS-SS8001 To HC20-02PMFS-SN8001
B	LEN14A0101	2014/09/13	Feng_Li	Change Logo Direction
C	LE31650213	2016/05/03	Vicky	Update Note

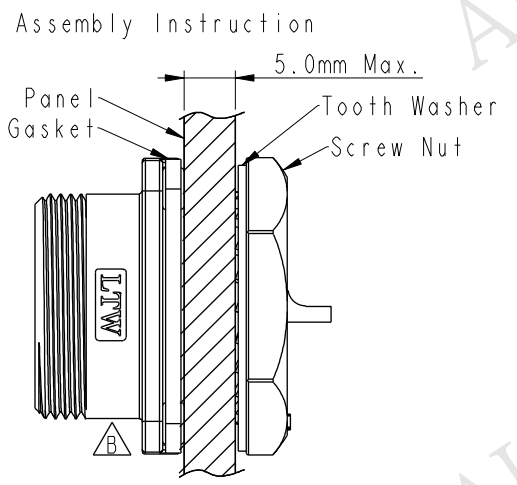
ALTW
CONFIDENTIAL
 2016-05-03
R&D DEPT.



ALTW
DCC. DEPT.
CONFIDENTIAL
 2016.05.13
ISSUED



Recommend Panel Cut-Out



- △ Note:
- * ϕ Important Dimension.
 - * Waterproof Rate: IP68.
IP68: 1M depth of water in 24 Hrs.
(防水等級: IP68)
IP68: 水深一米測試 24 小時
 - * Shell: Zinc Alloy ,Electrodeposition Coating,Black.
 - * Insulation: Nylon ,Black.
 - * Female Pin: Copper Alloy ,Gold Plated.
 - * Gasket: Silicone ,Gray.
 - * Recommended Panel Thickness 5.0mm(Max).

UNIT: mm 		TITLE PANEL NUT 2PIN M CONN F PIN			ITEM NO. HC20-02PMFS-SN8001		DRAWN BY Vicky		DATE 2016-05-03			
		SCALE 1:1			SIZE A4		DWG NO. HC20-02PMFS-SN8001		CHECKED BY Rita		DATE 2016-05-03	
TOLERANCE .X ±0.25 .XX ±0.1 .XXX ±0.05 ANGLES ±1°		REV. C			WC-REV. A.3		CUSTOMER ALTW		APPROVED BY Lisa		DATE 2016-05-03	
SHEET 1 OF 1				Amphenol LTW 安費諾亮泰企業股份有限公司				8 FMM10702-01-02A1				

THIS DOCUMENT IS SUBJECT TO CHANGE WITHOUT NOTICE. IT IS CONFIDENTIAL AND A PROPERTY OF Amphenol LTW. DISCLOSURE TO THIRD PARTY HAS TO BE AUTHORIZED BY Amphenol LTW.