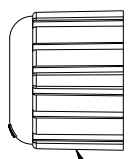
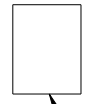


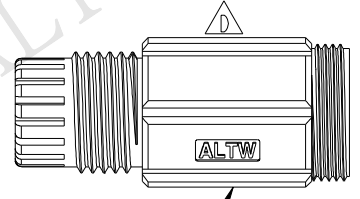
REV.	ECN NO.	DATE	SIGN	DESCRIPTION
C	LEN1350076	2013/04/29	Ruru	Modify Seals Cable OD
D	LEN14C0338	2014/11/17	Jinhai	Change Logo & Conn Material



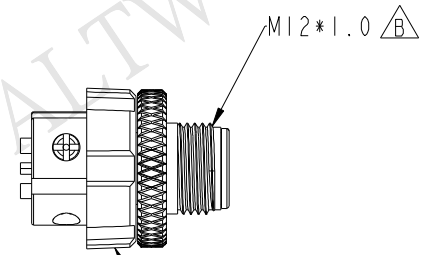
4 Sealing Nut



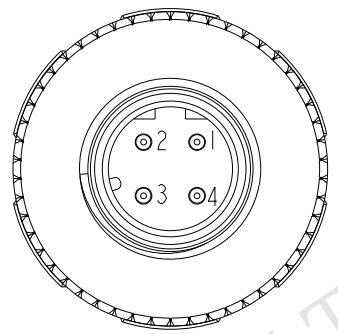
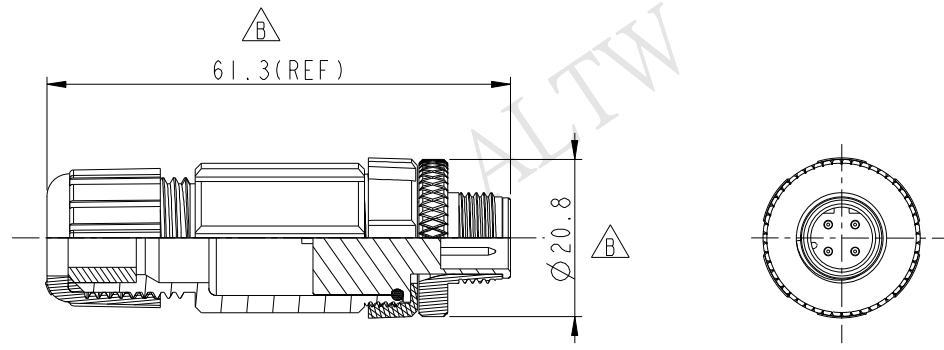
3 Gasket



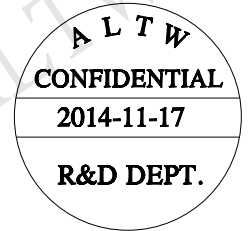
Sealing Body 2



1 Connector



Pin Assignments Front View



- Note:**
- * CC Important Dimensions.
 - * Waterproof Rate : IP67
 - * Connector: PP, Black
 - * Pin: Copper Alloy, Gold Plated
 - * O-Ring: EPDM, Black
 - * Holder: Nylon+GF, Black
 - * Clamp Ring: Nylon 66, Black
 - * Gasket: EPDM, Black
 - * Sealing Nut: Nylon 66, Black
 - * Nut: Copper Alloy, Nickel Plated
 - * Seals For Cable OD $\text{Ø} 4.5\text{mm} \sim \text{Ø} 6.5\text{mm}$
 - * Temperature Range: $-40^{\circ}\text{C} \sim +85^{\circ}\text{C}$.

UNIT:mm		
TOLERANCE		
.X	± 0.25	
.XX	± 0.1	
.XXX	± 0.05	
ANGLES	$\pm 1^{\circ}$	

TITLE M12 Screw In Male Conn 4Pin D Code			
SCALE 1:1	SIZE A4	SHEET 1 OF 1	
REV. D	WC-REV. B.2	CC : Inspection item	

Amphenol LTW
安費諾亮泰企業股份有限公司

ITEM NO 12D-04BMMB-SL7001	DRAWN BY Jinhai	DATE 2014-11-17
DWG NO 12D-04BMMB-SL7001	CHECKED BY Tom	DATE 2014-11-17
CUSTOMER ALTW	APPROVED BY Jerry	DATE 2014-11-17

THIS DOCUMENT IS SUBJECT TO CHANGE WITHOUT NOTICE. IT IS CONFIDENTIAL AND A PROPERTY OF Amphenol LTW. DISCLOSURE TO THIRD PARTY HAS TO BE AUTHORIZED BY Amphenol LTW.