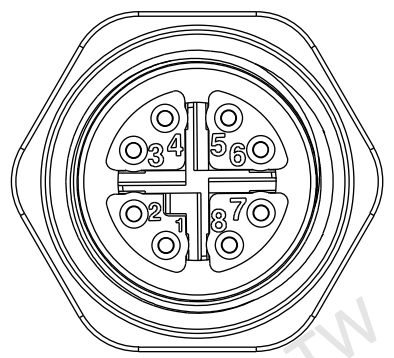
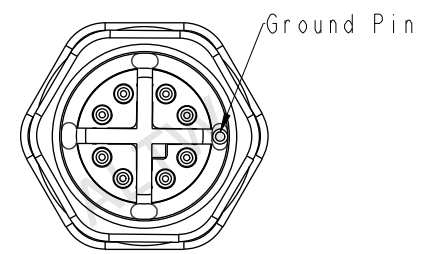
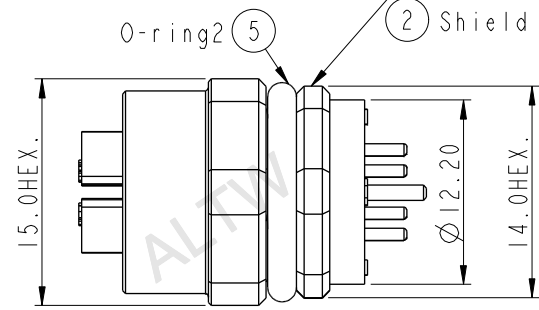
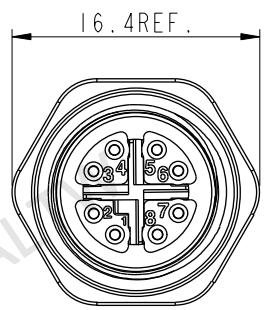
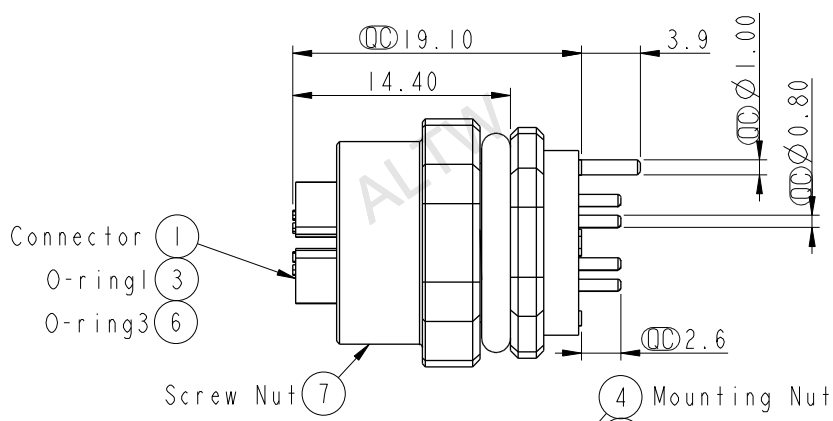
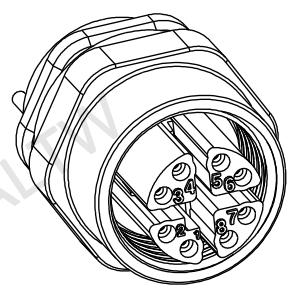
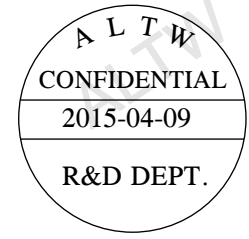
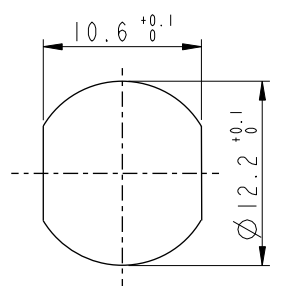


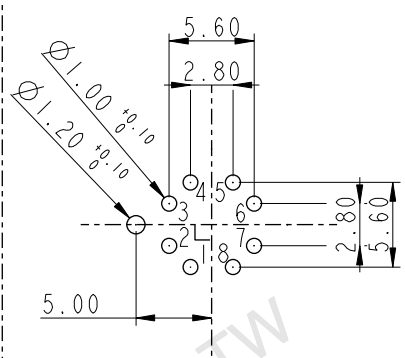
REV.	ECN NO.	DATE	SIGN	DESCRIPTION
A		2015/04/09	Jimmy	Rev.03 Changed To Rev.A



Conn.  
Pin Assignment  
Front View



Recommended  
Panel Cut-out



Recommended  
PCB Lay-out (Conn. Side)

- Note:
- \*  $\varnothing$  Important Dimension To Check.
  - \* Waterproof Rate: IP67 (Mated Condition)
  - \* Rated Voltage: 48V
  - \* Rated Current: 0.5A
  - \* Connector: PA, Black
  - \* Female Pin: Copper Alloy, Gold Plated
  - \* Mounting Nut: Zinc Alloy, Nickel Plated
  - \* Shield: Brass, Nickel Plated
  - \* Screw Nut: Zinc Alloy, Nickel Plated
  - \* O-Ring1: Silicon, Black
  - \* O-Ring2: Silicon, Gray
  - \* O-Ring3: Silicon, Gray
  - \* For Panel Thickness Max. 3.0mm
  - \* For PCB Thickness Max. 1.6mm

UNIT:mm		
TOLERANCE	.X ±0.25	
	.XX ±0.1	
	.XXX ±0.05	
ANGLES	±1°	

TITLE M12 X-code Female Receptacle Straight, Thru-hole			
SCALE 2:1	SIZE A4	SHEET 1 OF 1	
REV. A	WC-REV. A.2	$\varnothing$ : Inspection item	

**Amphenol LTW**  
安費諾亮泰企業股份有限公司

ITEM NO MSXS-08PFFP-SF7001	DRAWN BY Jimmy	DATE 2015/04/09
DWG NO MSXS-08PFFP-SF7001	CHECKED BY Arvin	DATE 2015/04/09
CUSTOMER ALTW	APPROVED BY Lion	DATE 2015/04/09

THIS DOCUMENT IS SUBJECT TO CHANGE WITHOUT NOTICE. IT IS CONFIDENTIAL AND A PROPERTY OF AMPHENOL LTW. DISCLOSURE TO THIRD PARTY HAS TO BE AUTHORIZED BY AMPHENOL LTW.