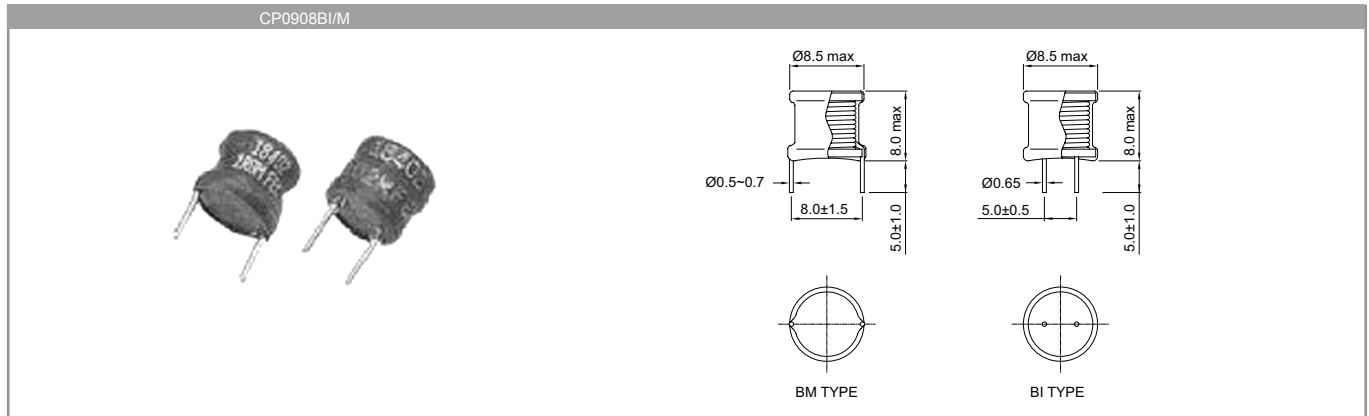


WIRE WOUND CHOKE COILS

CP0908BI/M Series

Mechanical Dimensions (Unit: mm)



Electrical Specification

Part Number	Inductance @1KHz (μ H)	Q (Min.)	Test Freq. (MHz)	SRF (MHz) Min.	DCR (Ω) Max.	Rated Current (Amps.) Max.
CP0908BM-1R0MH	1.0	20	7.9	68	0.005	7.5
CP0908BM-1R5MH	1.5	20	7.9	56	0.008	6.6
CP0908BM-2R2MH	2.2	20	7.9	45	0.010	5.4
CP0908BM-3R3MH	3.3	20	7.9	38	0.013	4.5
CP0908BM-4R7MH	4.7	20	7.9	30	0.017	3.7
CP0908BM-6R8MH	6.8	20	7.9	24	0.022	3.1
CP0908BM-100KH	10	20	2.5	19	0.03	2.5
CP0908BM-120KH	12	20	2.5	17	0.04	2.2
CP0908BM-150KH	15	20	2.5	15	0.05	2.0
CP0908BI-180KH	18	20	2.5	13	0.06	1.8
CP0908BI-220KH	22	20	2.5	12	0.07	1.6
CP0908BI-270KH	27	20	2.5	11	0.08	1.4
CP0908BI-330KH	33	20	2.5	10	0.10	1.3
CP0908BI-390KH	39	20	2.5	9.0	0.12	1.2
CP0908BI-470KH	47	20	2.5	8.0	0.14	1.1
CP0908BI-560KH	56	20	2.5	7.0	0.16	0.96
CP0908BI-680KH	68	20	2.5	6.5	0.18	0.91
CP0908BI-820KH	82	20	2.5	6.0	0.20	0.83
CP0908BI-101KH	100	15	0.79	5.5	0.25	0.75
CP0908BI-121KH	120	15	0.79	5.0	0.33	0.68
CP0908BI-151KH	150	15	0.79	4.5	0.40	0.61
CP0908BI-181KH	180	15	0.79	4.0	0.50	0.55
CP0908BI-221KH	220	15	0.79	3.5	0.60	0.50
CP0908BI-271KH	270	15	0.79	3.2	0.70	0.45
CP0908BI-331KH	330	15	0.79	2.8	0.80	0.41
CP0908BI-391KH	390	15	0.79	2.5	0.90	0.37
CP0908BI-471KH	470	15	0.79	2.3	1.0	0.34
CP0908BI-561KH	560	15	0.79	2.1	1.3	0.31
CP0908BI-681KH	680	15	0.79	1.9	1.5	0.28
CP0908BI-821KH	820	15	0.79	1.7	2.0	0.25
CP0908BI-102KH	1000	30	0.25	1.5	2.5	0.23
CP0908BI-122KH	1200	30	0.25	1.3	3.0	0.20
CP0908BI-152KH	1500	30	0.25	1.2	3.5	0.18

a. Tolerance: M: $\pm 20\%$; L: $\pm 15\%$; K: 10%

b. Test Equipment:

L: HP 4285A LCR meter or equivalent..

Q: HP 4285A at specified freq or equivalent..

RDC: CHROMA-16502 or equivalent.

SRF: HP4291B or equivalent.

c. Operating temperature : -40°C to $+85^{\circ}\text{C}$ (Including self-temperature rise)

d. Temperature rise 25°C Max.

e. Ambient temperature : 60°C Max.

