

REV	ECN NO.	CONTENT	CHK	DATE
V0.0		初版本	ZCP	2016.11.24

NOTES:

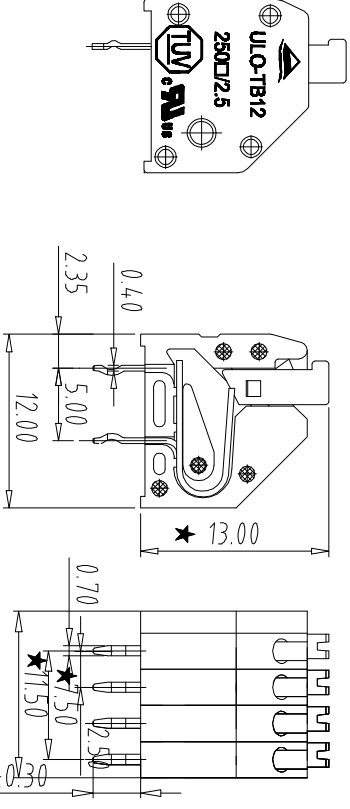
- 1. Rating: -UL > 250V/2A
-IEC > 250V/2A
- 2.Poles:06P

- 3. Insulation Withstands Voltage: AC2000V/1 Min
- 4. Insulation Resistance: 500MΩ at DC500V
- 5. Using Temperature Range: -40°C/+115°C
- 6. Max soldering : +250° for SS
- 7. RoHS Compliance:
- 8.Suitable Electric Wire:24-20AWG(U) 0.2-0.5mm² (IEC)
- 9.With" * "is important dimension

How to order

ULO-TR12 - 250V/2.5 - 06P -1 0 0 0A

Certificate Factory poles color Customer requirements
Series NO. Code
1:Grey
2:Blue
3:Black
4:Green
5:Orange
6:Red
7:transparent
8:Yellow
9:white



Total Pitch Tolerances						Nominal dimension range					
in mm						in mm					
over	over	over	over	over	over	over	over	over	over	over	over
0	30	53	70	90	115	34	53	70	90	115	150
to	to	to	to	to	to	to	to	to	to	to	to
to	53	70	90	115	154	53	70	90	115	154	190
to	70	90	115	154	200	70	90	115	154	200	250
to	90	115	154	200	254	90	115	154	200	254	320
to	115	154	200	254	320	115	154	200	254	320	400
to	154	200	254	320	400	154	200	254	320	400	500
to	200	254	320	400	500	200	254	320	400	500	600
to	254	320	400	500	600	254	320	400	500	600	700

ITEM	NAME OF PART	NO OF PART	QTY	MATERIAL	NOTE
5	SHORT-PIN	3001B0020	N/2	Phosphor bronze	Tin Plated
4	LONG-PIN	3001B0010	N/2	Phosphor bronze	Tin Plated
3	LEVER	3001D0Y00A	N	PA66	UL94V-0
2	COVER	3001C0Y00A	1	PA66	UL94V-0
1	Housing	3001A0YXXA	N	PA66	UL94V-0

DATE	19.09.12	UNITS	MM	SHEET/OF	1/1
DATE		SCALE	1 : 1	AL	
DATE		NAME			ULO-TR12-250V/2.5-06P-1000A
DWG				NAME	ULO1BTR12Y000A
NINGBO ULO ELECTRONICS CO.,LTD.					
宁波 欧姆龙 电子 有限公司					
DWGNO. ULO1BTR12Y000A					