

REV	E.C.N NO.	CONTENT	CHK	DATE
V0.0		初版	ZCP	17.03.20

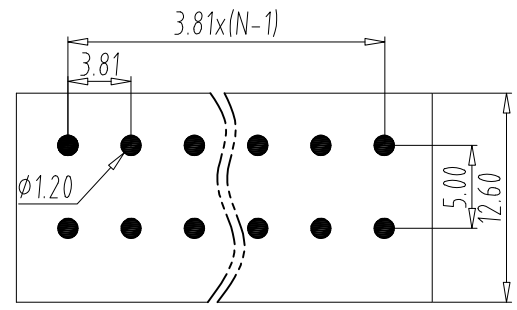
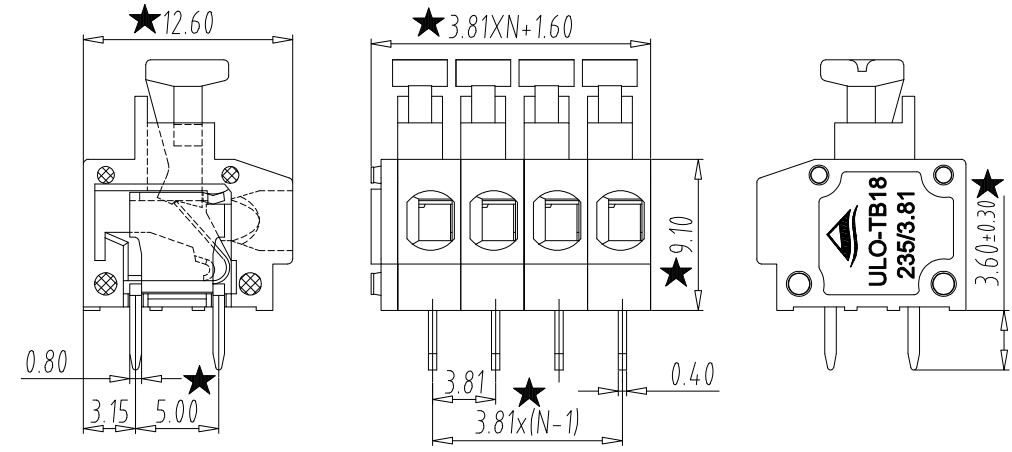
NOTES:

- Rating: 300V/10A
<IEC> 250V/10.5A
- Poles:02-24P
- Insulation Withstands Voltage: AC2000V/1 Min
- Insulation Resistance: 500MΩ at DC500V
- Using Temperature Range: -40°C/+115°C
- Suitable Electric Wire:14-20AWG(UL),0.2-1.5mm²(IEC);
- Max soldering : +250° for 5S
- RoHS Compliance.
- With "★" is important dimension

How to order

ULO-TB18 - 235/3.81 - XXP -Y 0 0 0A

Certificate Series NO.	Factory Code	poles	color:	Customer requirements
			1:Grey	
			2:Blue	
			3:Black	
			4:Green	
			5:Orange	
			6:Red	
			7:transparent	
			8:Yellow	
			9:White	



P.C.B LAYOUT

Total Pitch Tolerances in mm										Nominal dimension range in mm										⊥	≡	-	//		
over 0	over 30	over 53	over 70	over 90	over 115	over 150	over 200	over 250	over 320	over 0	over 30	over 53	over 70	over 90	over 115	over 150	over 200	over 250	over 320	over 0	over 10	all	over 0	over 100	over 150
±0.18	±0.20	±0.25	±0.3	±0.35	±0.44	±0.55	±0.70	±0.75	±0.20	±0.25	±0.30	±0.35	±0.44	±0.55	±0.70	±0.80	±0.90	0.2	0.3	0.3	0.2	0.3	0.5		

5	SPRING COIL	X00000210	N	STAINLESS	/
4	LEVER	3003D0YXXA	N	PA66	UL94V-0
3	SOLDERPIN	3003B0010	N	Brass	Tin Plated
2	Cover	3002C0YXXA	1	PA66	UL94V-0
1	Housing	3003A0YXXA	1	PA66	UL94V-0
ITEM	NAME OF PART	NO. OF PART	Q'TY	MATERIAL	NOTE
DWG.	ZCP	DATE	17.03.20	UNITS	MM
CHK.		DATE		SCALE	1:1
APP.		DATE			
				NAME	ULO-TB18-235/3.81-XXP-Y000A
				DWGNO.	ULOTB18Y000A