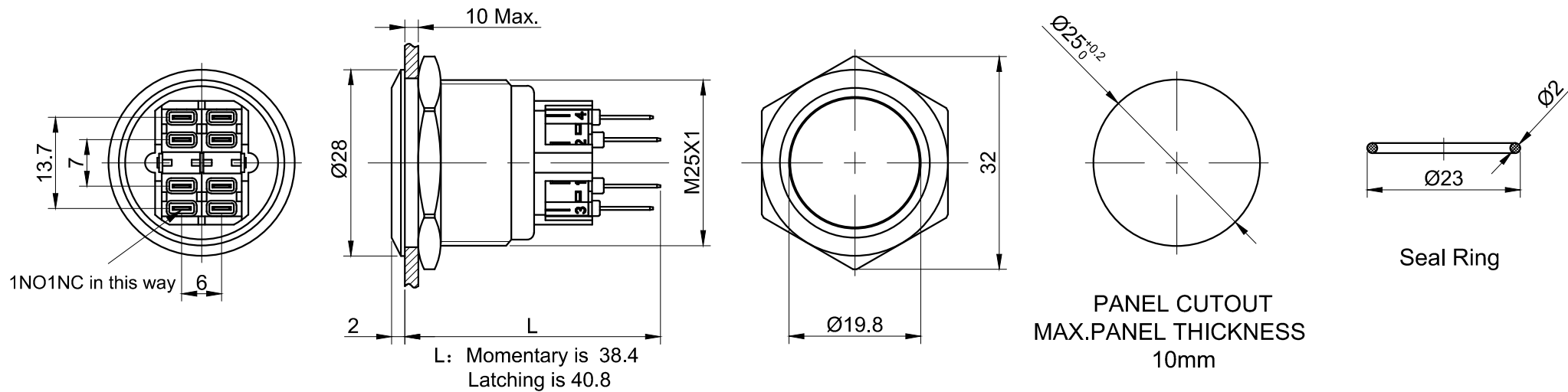
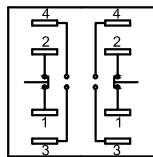


|  |             |                    |               |
|--|-------------|--------------------|---------------|
|  | FOR<br>客户名称 | APPROVED<br>客户确认签字 | ATTN<br>销售负责人 |
|  |             |                    |               |



L: Momentary is 38.4  
Latching is 40.8



**Contact Composition**

- 1、2、3、4 are one set.
- 1,2 are normal closed(NC);
- 3,4 are normal opened(NO).

Part Number: GQ25-□■/◎

| □  | Contact structure | ■         | Operation mode | " " | Crust material  |
|----|-------------------|-----------|----------------|-----|-----------------|
| 11 | 1NO1NC            | No Letter | Momentary      | S   | Stainless steel |
| 22 | 2NO2NC            | Z         | Latching       | A   | Al alloy(black) |

**SPECIFICATIONS:**

- 1.Switch Rating: AC220V/2A, DC220V/0.1A.
- 2.Mechanical Life: ≥1,000,000cycles.
- 3.Electrical Life: ≥50,000cycles.
- 4.Contact Resistance: ≤50mΩ.
- 5.Insulation Resistance: ≥1,000MΩ.
- 6.Dielectric Strength: 1,500V, RMS 50Hz, 1min.
- 7.Operating Temperature: -25°C ~ +55°C(No Freezing).
- 8.Operating Force: About 5N(1NO1NC)/About 7.5N(2NO2NC).
- 9.Operating Travel: About 2.5mm.
- 10.Torque: About 0.6Nm max.applied to nut.
- 11.Protection degree: IP65,IP67(Momentary can made to order);IK10.
- 12.Terminal Type: Pin Terminal(2.8 x 0.5mm).

**MATERIALS:**

- 1.Contact: Silver alloy.
- 2.Button: ◎.
- 3.Body: ◎.
- 4.Base: PA.

|   |   |                     |   |
|---|---|---------------------|---|
| <b>BRAND</b><br>品牌 <b>ONPOW</b>   | <b>红波按钮制造有限公司</b><br>ONPOW PUSH BUTTON MANUFACTURE CO.,LTD. |                     |   |
|   | USED<br>用途  | APPD<br>审核          | CH 2020/03/04                             |
| THESE DRAWINGS AND SPECIFICATIONS ARE THE PROPERTY OF ONPOW PUSH BUTTON MANUFACTURE CO.,LTD. AND SHALL NOT BE REPRODUCED COPIED OR USED IN ANY MANNER WITHOUT THE PRIOR WRITTEN CONSENT OF ONPOW PUSH BUTTON MANUFACTURE CO.,LTD. | FINISH<br>处理  | CHKD<br>校对          | NCH 2020/03/04                            |
| DIMENSIONS<br>0.00 TO 18.00mm<br>18.01 TO 30.00mm<br>30.01 TO 50.00mm<br>50.01 TO 80.00mm   | TOLERANCE<br>±0.43mm<br>±0.52mm<br>±0.62mm<br>±0.74mm       | SCALE<br>比例 1.1 / 1 | UNIT<br>单位 mm<br>DR.<br>制图 ZPD 2020/03/04 |
| TITLE<br>名称 GQ Series Anti-vandal push button   |   |                     |   |
| DWG NO.<br>图号 GQ25不带灯   |   |                     | SIZE<br>图纸 A4                             |
| FILE NAME<br>档案名称 GQ25不带灯.DWG   |   | SHEET<br>张 1 / 1    | REV.<br>更改 1                              |