

REV.	DESCRIPTION	DATE	DRAWN	APPROVED
A1	DWG.REL	2016/10/7	FANG	YANG

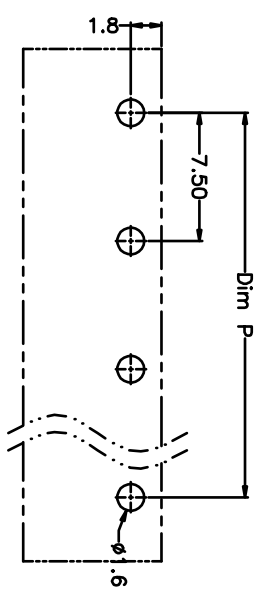
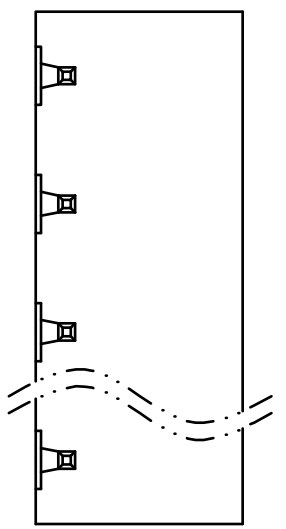
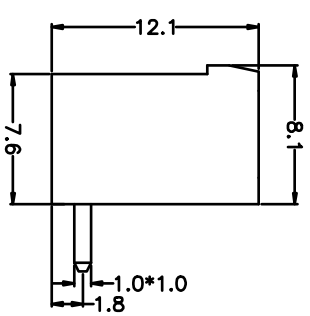
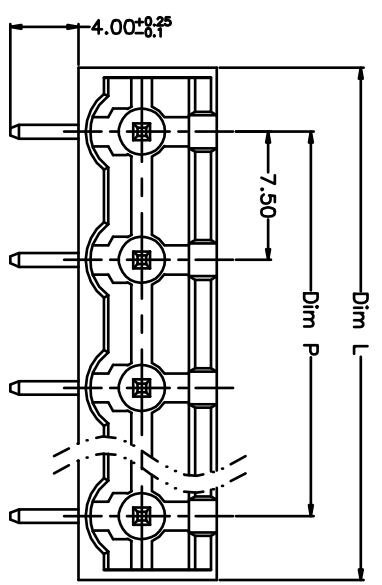
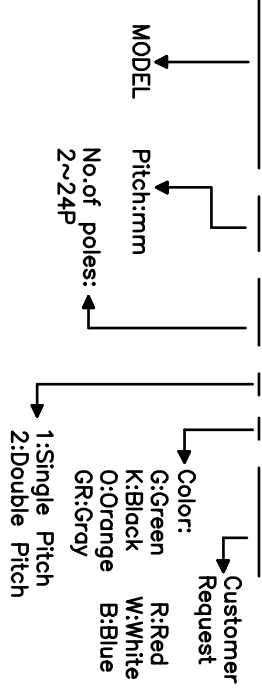
- Material  
 @Housing : PA66, UL94V-0  
 @Pin header : Brass, Tin plated
- Electrical
 

UL	IEC
Rated voltage : 300V	400V
Rated current : 15A	20A
Insulation resistance: 500MΩ/DC500V	
Withstanding Voltage : AC2500V/1min	

- Mechanical  
 Operating temperature: -40°C to +105°C  
 Soldering temperature: 250°C ± 5 / 5sec

HOW TO ORDER

KF2EDGCR-X-7.5-XXP-1 X-XXXXX



N=Number of Poles  
 Dim P=(N-1)\*7.5  
 Dim L=N\*7.5

Poles	Dim P	Dim L
2-6P	±0.10	±0.15
7-12P	±0.20	±0.20
13-18P	±0.25	±0.30
19-24P	±0.30	±0.40

GENERAL TOLERANCE

X.	±0.5	X.	±5°
.X	±0.3	.X.	±3°
.XX	±0.1	.XX.	±1°

ANGLE TOLERANCE

SCALE	1:1	SHEET	1 OF 1
-------	-----	-------	--------

DRAWING TYPE CUSTOMER

DRAWING NO.	XP0012016-xxxx
-------------	----------------

PROJECTION

UNITS	mm	TITLE	KF2EDGCR-X-7.5-XXP
SHEET SIZE	A4	SERIES	KF2EDGCR-X

**凯峰** 慈溪市凯峰电子有限公司  
 KAIFENG ELECTRONIC CO.,LTD  
 CIXI KAIFENG ELECTRONIC CO.,LTD