

Data Sheet

Module Type	DDR4 4GB/8GB/16GB UDIMM
Module speed	PC4-17000
Pin	288 pin
Cl-tRCD-tRP	15-15-15
SDRAM Operating Temp	0°C ~85°C

**The Total Solution For
Industrial Flash Storage**

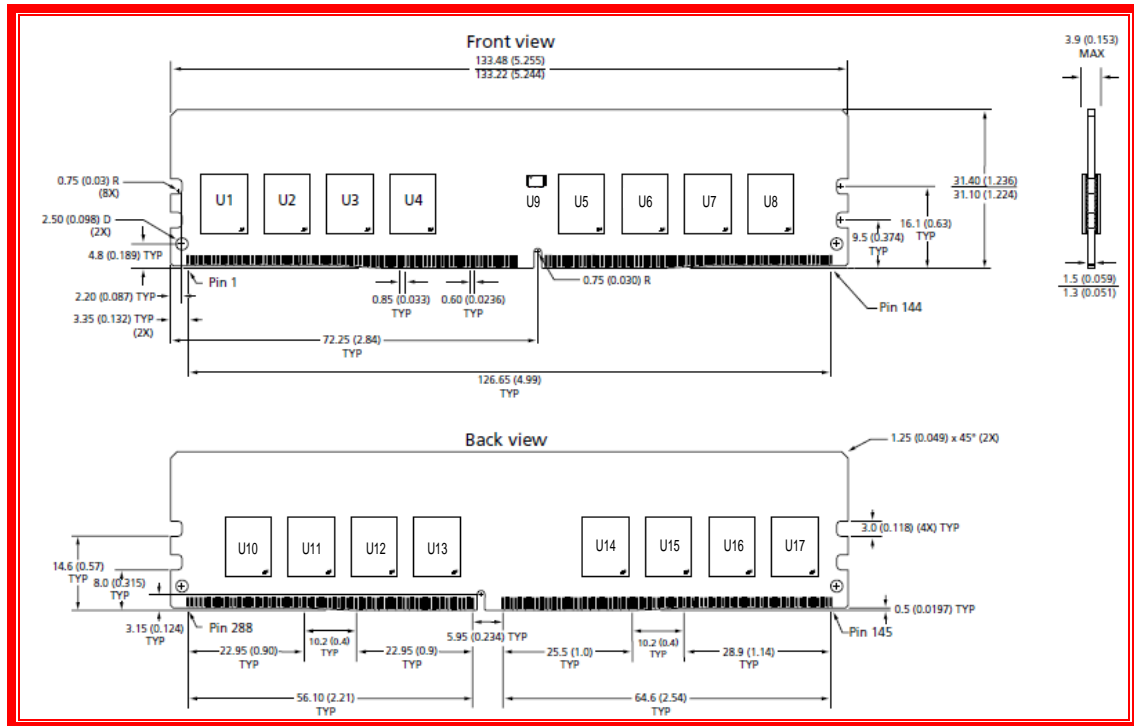
Rev 1.0

1. Features

Industry Nomenclature	Speed Grade	Data Rate MT/s			tRCD (ns)	tRP (ns)	tRC (ns)
		CL=11	CL=13	CL=15			
PC4-17000	R	1600	1866	2133	14.06	14.06	47.06

- JEDEC Standard 288-pin Dual In-Line Memory Module
- Intend for PC4-17000 applications
- Inputs and Outputs are SSTL-12 compatible
- VDD=VDDQ= 1.2 Volt (TYP)
- VPP=2.5 Volt (TYP)
- VDDSPD=2.2-3.6V
- Low-Power auto self-refresh (LPASR)
- SDRAMs have 16 internal banks for concurrent operation (4 Bank Group of 4 banks each)
- Normal and Dynamic On-Die Termination for data, strobe and mask signals.
- Data bus inversion (DBI) for data bus
- Fixed burst chop (BC) of 4 and burst length (BL) of 8 via the MRS
- Selectable BC4 or BL8 on-the fly (OTF)
- Golden Connector
- Fly-By topology
- Terminated control, command and address bus
- Programmable /CAS Latency: 11, 13, 15
- Operation temperature – (0°C ~85°C)
- On-die VREFDQ generation and Calibration
- On-Board EEPROM
- RoHs and Halogen free (*Section 13*)

2. PACKAGE DIMENSION



Note:

1. All dimensions are in millimeters (inches); MAX/MIN or typical (TYP) where noted.
2. The dimensional diagram is for reference only.