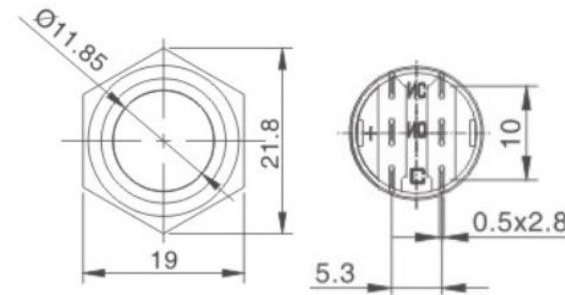
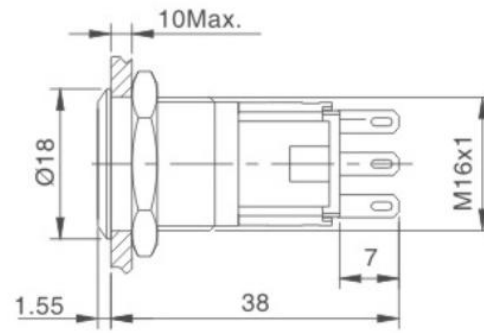


1. Mounting hole size :16mm
2. Terminal Type: Pin terminal(2.8*0.5mm)
3. Switch Specification: 5A/250V AC
4. Operation type: Latching
5. Contact Resistance: $\leq 50m\ \Omega$
6. Insulation Resistance: $\geq 1000m\ \Omega$
7. Operating Temperature: $-20^{\circ}C \sim +55^{\circ}C$
8. Mechanical Life: $\geq 1,000,000$ times
9. Electric Life: $\geq 50,000$ times
10. Panel Thickness: 1-10mm
11. Torque: 5`14Nm
12. Protection Degree: IP67, IK09
13. Contact Material: Silver Alloy
14. Actuator Material: Stainless Steel
15. Housing Material: Stainless Steel
16. Base Material: PBT



开关结构说明 Switch Structure Explanation

型式Type	C
示意图 Diagram	
符号 Symbol	
说明 Explanation	具有三个端子的单断点快动转换触头开关 Single breakpoint fast moving contact switch with three terminals.

最多可配置两组开关。
Can be configured up to two sets of switches.
C1、NO1、NC1和C2、NO2、NC2分别为一组开关;
C1, NO1, NC1 and C2, NO2, NC2, are a set of switches respectively;
C脚为公用脚, NO脚为常开脚, NC脚为常闭脚;
Pin C is utility pin and pin NO is normally open pin, pin NC is normally closed;
+、-脚为灯珠引脚, 常规灯珠配置无正负极区分;
+, - pins are LED lamp pins, normal lamp configuration has no differentiate between positive and negative ;
灯珠与开关相对独立, 可通过开关或外围电路控制灯珠状态。
LED and switch pin are separated, but switch and external circuit can control the LED state by connecting the LED pin.

Pin Description	Pin terminal		
SPDT	NO1	C1	NC1
DPDT	NO1, NO2	C1, C2	NC1, NC2

Part No.	HBS1-AGQ16F-22Z/S	SHANGHAI HONGBO ELECTRIC CO.LTD. YUEQING DAHE ELECTRIC CO.,LTD			
Drawing	Chen Lianjie	Aproving	Huang Ceshuang	Auditing	Li Linsong