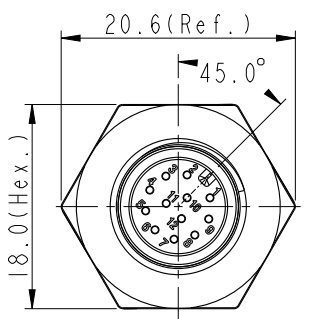
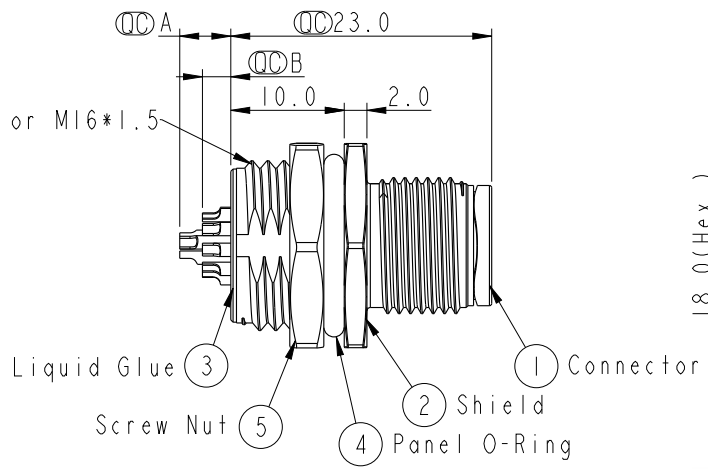
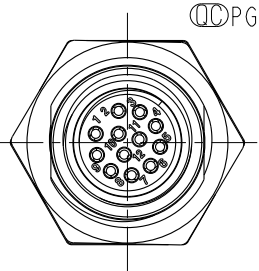
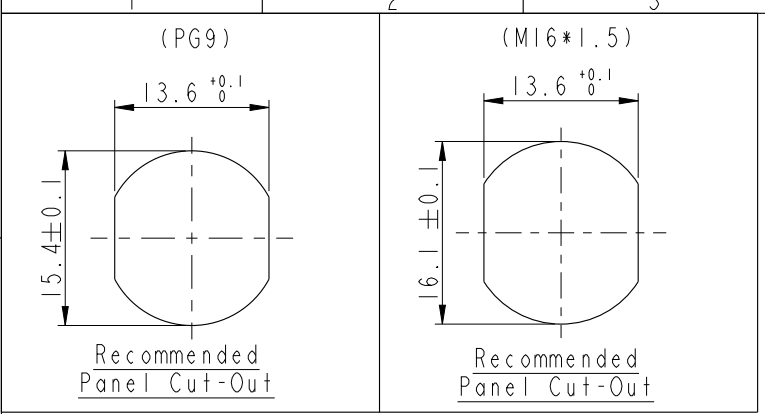


THIS DOCUMENT IS SUBJECT TO CHANGE WITHOUT NOTICE. IT IS CONFIDENTIAL AND A PROPERTY OF AMPHENOL LTW. DISCLOSURE TO THIRD PARTY HAS TO BE AUTHORIZED BY AMPHENOL LTW.

REV.	ECN NO.	DATE	SIGN	DESCRIPTION
B	LEN1570187~194 LE31570179~182	2015-07-18	Yulong_wang	Change to Share Drawing.



M 12A - XX P M M S - S H 8 XXX

12A: A-Code
 03: 3Pin
 04: 4Pin
 05: 5Pin
 08: 8Pin
 10: 10Pin
 12: 12Pin

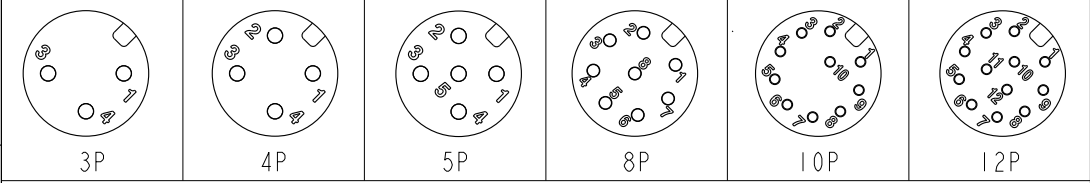
P: Panel (板端)
 M: Male Connector (公座)

001: PG9
 002: M16*1.5

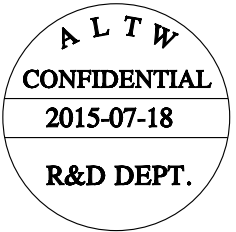
8: IP68 (防水等級68)

H: Rear Fasten (后鎖式/Enclosure Front Mount)
 S: Screw (螺紋式)
 S: Solder Type (焊接式)
 M: Male Pin (公Pin)

M12A-03PMMS-SH8XXX	2.5
M12A-04PMMS-SH8XXX	2.5
M12A-05PMMS-SH8XXX	2.5
M12A-08PMMS-SH8XXX	2.5
M12A-10PMMS-SH8XXX	4.5 2.5
M12A-12PMMS-SH8XXX	4.5 2.5
Item No.	A B
	Pin伸出長度



Pin Assignment Front View



Note:

- * ⌀ Important Dimension.
- * Waterproof Rate: IP68.
- * Housing: Nylon+GF, Black.
- * Male Pin: Copper Alloy, Gold Plated.
- * Shield: Zinc Alloy, Nickel Plated.
- * Screw Nut: Zinc Alloy, Nickel Plated.
- * Panel O-Ring: Viton, Black.
- * Rated Voltage: 3 & 4Pin 250V dc. or ac.
5Pin 60V dc. or ac.
6~12Pin 30V dc. or ac.
- * Rated Current: 3~5Pin 4A
6~8Pin 2A
10~12Pin 1.5A
- * Operating Temperature: -40~105°C
- * For Panel Thickness Max 4.5mm.
- * Recommended Nut Torque: 4-6 Kgf.cm.

UNIT: mm			TITLE M12 A-Code Male Conn. Solder Rear Type
TOLERANCE .X ±0.25 .XX ±0.1 .XXX ±0.05 ANGLES ±1°	SCALE 2:1	SIZE A4	SHEET 1 OF 1
REV. B	WC-REV. A.7	⌀: Inspection item	

Amphenol LTW
安費諾亮泰企業股份有限公司

ITEM NO.	DRAWN BY Yulong_wang	DATE 2015-07-18
DWG NO. M12A-XXPMMS-SH8XXX	CHECKED BY Cary	DATE 2015-07-18
CUSTOMER ALTW	APPROVED BY Jerry	DATE 2015-07-18