

FILE	6	5	4	3	2	1
REV	ECN NO.	CONTENT	CHK	DATE		
V0.0		初版	ZCP	2016.11.24		

NOTES:

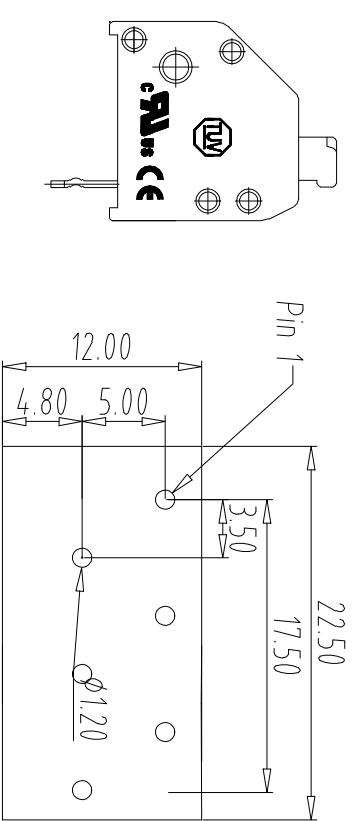
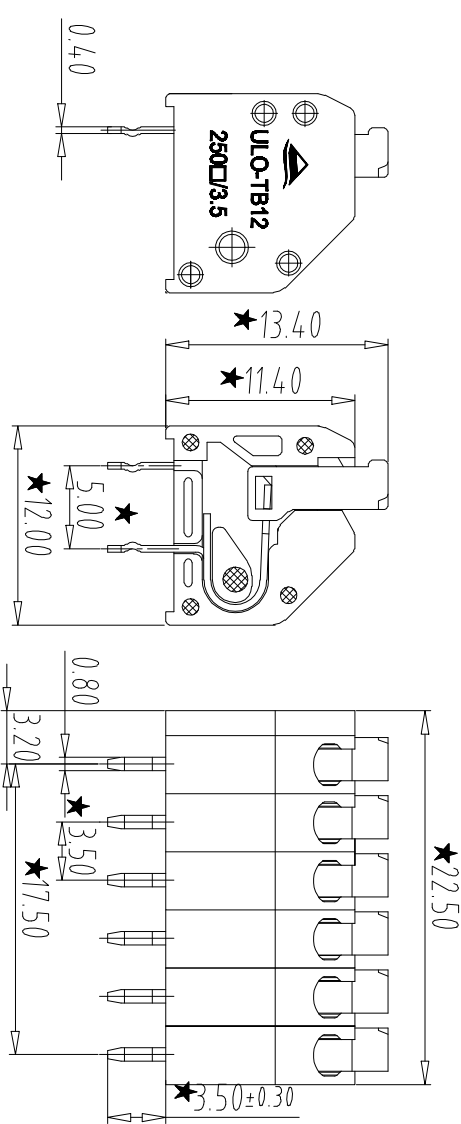
- Rating: <UL> 300V//10A  
<IEC> 250V//10 5A
- Poles:03P
- Insulation Withstands Voltage: AC2000V/1 Min
- Insulation Resistance: 500M $\Omega$  at DC500V
- Using Temperature Range: -40°C/+115°C
- Max soldering : +250° for SS
- RoHS Compliance
- Suitable Electric Wire:28-18AWG(UL) 0.2-1.0mm<sup>2</sup> (IEC)
- "With" ★ "is important dimension

How to order

**ULO-TB12 - 250A/3.5 - 06P -1 0 0 0A**

Certificate      Factory      poles color:      Customer  
Series NO.      Code      1:Grey      requirements

- 2:Blue
- 3:Black
- 4:Green
- 5:Orange
- 6:Red
- 7:transparent
- 8:Yellow
- 9:white



PCB LAYOUT

Total Pitch Tolerances										Nominal dimension range																	
0	30	53	70	90	115	150	210	250	300	0	30	53	70	90	115	150	210	250	300	0	0.2	0.3	0.3	0.3	0.2	0.3	0.5
over	over	to	to	to	to	to	to	to	to	over	over	to	to	to	to	to	to	to	to	over	over	all	all	all	all	over	over
to	to	to	to	to	to	to	to	to	to	to	to	to	to	to	to	to	to	to	to	to	to	to	to	to	to	to	to
30	53	70	90	115	150	210	250	320	30	53	70	90	115	150	210	250	320	10	10	100	150						
±0.18	±0.20	±0.25	±0.3	±0.35	±0.44	±0.55	±0.70	±0.75	±0.20	±0.35	±0.44	±0.55	±0.70	±0.80	±0.90	0.2	0.2	0.3	0.3								

ITEM	NAME OF PART	NO. OF PART	Q'TY	MATERIAL	NOTE
1	Housing	3001A0YXXA	3	PA66	UL94V-0
2	COVER	3001C0Y00A	1	PA66	UL94V-0
3	LEVER	3001D0Y00A	3	PA66	UL94V-0
4	LONG-PIN	3001B0010	2	Phosphor bronze	Tin Plated
5	SHORT-PIN	3001B0020	1	Phosphor bronze	Tin Plated

DWG	ZCP	DATE	16.11.24	UNITS	MM	SHEET/OF	1/1
CHK		DATE		SCALE	1:1	A4	
APP		DATE		NAME	<b>ULO-TB12-250A/3.5-06P-1000A</b>		

NINGBO ULO ELECTRONICS CO.,LTD.  
宁波欧路电子有限公司

DWGNO: ULOTB12Y000A