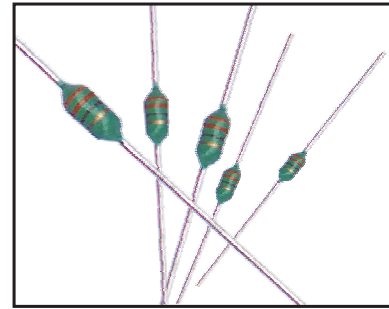


LGA型色碼電感器 LGA TYPE COLOR CODE INDUCTORS

訂貨代碼 HOW TO ORDER

舉例FOR EXAMPLE

LGA	0307	-	220	K	P	52
↓	↓	↓	↓	↓	↓	↓
A	B	C	D	E	F	



A:

產品類別 Product type	
LGA	軸向色碼電感器 Axial color code inductor

B:

本體尺寸 Body Dimensions(mm)		
類型 Type	外徑 Dmax	體長 Lmax
0204	2.3	4.2
0307	2.8	7.0
0410	4.0	10.5
0510	5.0	10.5

C:

標稱電感量 Nominal Inductance(μ H)
<p>★前兩位數字為有效數字，后一位數字表示零的個數。 The first two digits are significant, and the third digit is number of zero</p> <p>例如For example: 101=100 μH 5R6=5.6 μH R22=0.22 μH</p>

D:

感量偏差 Tolerance	
J	$\pm 5\%$
K	$\pm 10\%$
M	$\pm 20\%$

E:

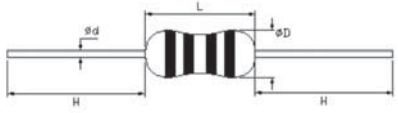
包裝方式 Packaging style		
編帶 Tape & reel	P	盒帶包裝 Ammo
	T	卷帶包裝 Reel
散包裝 Bulk	F	直腳軸向 Axial
	L	直腳成型 Straight lead formed
	V	彎腳成型 Bent lead formed
	VK	彎腳K型 Bent lead K formed

F:

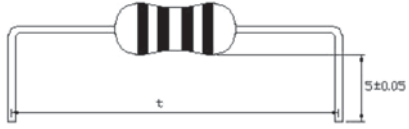
引腳形式 Lead configuration		
編帶 Tape & reel	26	編帶內距: 26 Tape width;
	52	編帶內距: 52 Tape width;
引腳成型 Formed lead	05	引腳腳距: 5.08mm Formed lead pitch;
	07	引腳腳距: 7.5mm Formed lead pitch;
	10	引腳腳距: 10.0mm Formed lead pitch;
	12	引腳腳距: 12.5mm Formed lead pitch;
	15	引腳腳距: 15.0mm Formed lead pitch;
	17	引腳腳距: 17.5mm Formed lead pitch;
	20	引腳腳距: 20.0mm Formed lead pitch;

• 外形尺寸
EXTERNAL DIMENSIONS

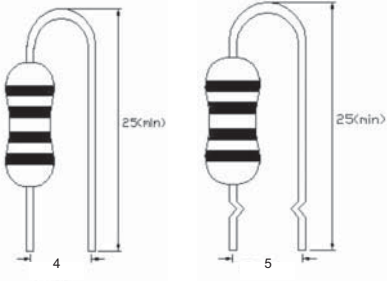
類型 Type	尺寸 Dimensions (mm)				
	$\phi D \leq$	$L \leq$	t	ϕd	$H \geq$
LGA0204	2.3	4.2	t=5.08 ± 0.6 t=7.50 ± 0.6	0.50 ± 0.05	20
LGA0307	2.8	7.0	t=10.0 ± 0.6 t=12.5 ± 0.6	0.50 ± 0.05	
LGA0410	4.0	10.5	t=12.5 ± 0.6 t=15.0 ± 0.6 t=17.5 ± 0.6 t=20.0 ± 0.6	0.60 ± 0.05	
LGA0510	5.0	10.5	t=15.0 ± 0.6 t=17.5 ± 0.6 t=20.0 ± 0.6	0.60 ± 0.05	



轴向 (Axial)

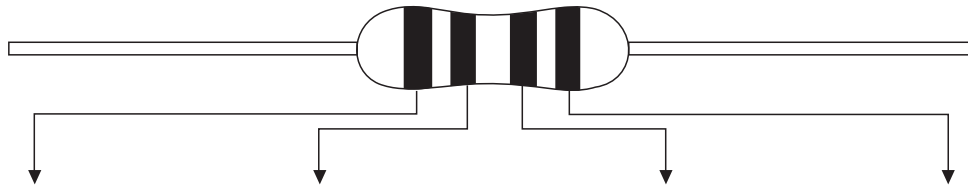


直脚成型 (L type)



彎脚成型 (V type) 彎脚K型 (VK type)

• 色碼標記代號
MARKING



	標稱電感量 Nominal inductance			感量偏差 Tolerance
	第一色環 1 st color zone	第二色環 2 nd color zone	第三色環 3 rd color zone	第四色環 4 th color zone
	第一數字 1 st digit	第二數字 2 nd digit	第三數字 3 rd digit	
黑 Black	0	0	$\times 10^0$ (1)	M: $\pm 20\%$
棕 Brown	1	1	$\times 10^1$ (10)	
紅 Red	2	2	$\times 10^2$ (100)	
橙 Orange	3	3	$\times 10^3$ (1000)	
黃 Yellow	4	4	$\times 10^4$ (10000)	
綠 Green	5	5	$\times 10^5$ (100000)	
藍 Blue	6	6		
紫 Purple	7	7		
灰 Gray	8	8		
白 White	9	9		
金 Gold	/	/	$\times 10^{-1}$ (0.1)	J: $\pm 5\%$
銀 Silver	/	/	$\times 10^{-2}$ (0.01)	K: $\pm 10\%$

例如: For example:

標稱電感量及偏差為 $22 \mu\text{H}$, $\pm 5\%$ 的電感器其色碼為:紅+紅+黑+金;

If nominal inductance&tolerance is $22 \mu\text{H}$, $\pm 5\%$, respectively, red+red+black+gold should be marked.

標稱電感量及偏差為 $1.0 \mu\text{H}$, $\pm 10\%$ 的電感器其色碼為:棕+黑+金+銀;

If nominal inductance&tolerance is $1.0 \mu\text{H}$, $\pm 10\%$, respectively, brown+black+gold+silver should be marked.

標稱電感量及偏差為 $0.22 \mu\text{H}$, $\pm 20\%$ 的電感器其色碼為:紅+紅+銀+黑;

If nominal inductance&tolerance is $0.22 \mu\text{H}$, $\pm 20\%$, respectively, red+red+silver+black should be marked.

備注:LGA0204由于體長較小,只標注前三條代表標稱電感量的色碼.

NOTE:only the first three color zones are marked on the body of LGA0204,due to the small body size.

LGA型色碼電感器 LGA TYPE COLOR CODE INDUCTORS

• 電性參數及測試條件 ELECTRICAL CHARACTERISTICS&TEST CONDITIONS

LGA0204型電感器電性能參數及測試條件
LGA0204 TYPE INDUCTORS ELECTRICAL CHARACTERISTICS&TEST CONDITIONS

LGA0204 類型Type	標稱電感量 Nominal Inductance (μ H)	誤差 Tolerance	Q (min)	直流電阻 RDC (Ω) max	測試頻率 Test frequency (MHZ)	自諧頻率 SRF (MHZ)min	額定電流 Rated current I_{DC} (mA)max
LGA0204-R22	0.22	M: $\pm 20\%$	35	0.40	25.2	150	400
LGA0204-R27	0.27			380			
LGA0204-R33	0.33			370			
LGA0204-R39	0.39			350			
LGA0204-R47	0.47			330			
LGA0204-R56	0.56			320			
LGA0204-R68	0.68			310			
LGA0204-R82	0.82			290			
LGA0204-1R0	1.0			270			
LGA0204-1R2	1.2			K: $\pm 10\%$			40
LGA0204-1R5	1.5	80	250				
LGA0204-1R8	1.8	60	240				
LGA0204-2R2	2.2	45	230				
LGA0204-2R7	2.7	40	220				
LGA0204-3R3	3.3	38	210				
LGA0204-3R9	3.9	35	200				
LGA0204-4R7	4.7	32	190				
LGA0204-5R6	5.6	30	180				
LGA0204-6R8	6.8	28	175				
LGA0204-8R2	8.2	26	165				
LGA0204-100	10	J: $\pm 5\%$	40	2.5	2.52	24	160
LGA0204-120	12			22		150	
LGA0204-150	15			20		145	
LGA0204-180	18			18		140	
LGA0204-220	22			17		130	
LGA0204-270	27			16		80	
LGA0204-330	33			14		76	
LGA0204-390	39			13		74	
LGA0204-470	47			12		70	
LGA0204-560	56			11		68	
LGA0204-680	68	10	64				
LGA0204-820	82	9.5	46				
LGA0204-101	100	9.0	44				
LGA0204-121	120	8.0	42				
LGA0204-151	150	6.0	39				
LGA0204-181	180	5.5	37				
LGA0204-221	220	5.0	35				
測試儀器 Test equipment	HP4285A (HP4286A, HP4287A)			HP4338B		HM9461	HP42841A
環境溫度 Ambient temperature	18~25°C						
環境濕度 Ambient humidity	45%~75%						

#特殊要求的產品可以根據客戶要求生產
The products can be customized according to customer requirement.

LGA0307型電感器電性能參數及測試條件

LGA0307 TYPE INDUCTORS ELECTRICAL CHARACTERISTICS & TEST CONDITIONS

LGA0307 類型Type	標稱電感量 Nominal Inductance (μ H)	誤差 Tolerance	Q (min)	直流電阻 RDC max	測試頻率 Test frequency (MHZ)	自諧頻率 SRF (MHZ)min	額定電流 Rated current I_{DC} (mA)max		
LGA0307-R22	0.22	M: $\pm 20\%$	35	0.40	25.2	150	400		
LGA0307-R27	0.27			0.43			380		
LGA0307-R33	0.33			0.48			370		
LGA0307-R39	0.39			0.51			350		
LGA0307-R47	0.47			40			0.56	0.61	330
LGA0307-R56	0.56						0.67	320	
LGA0307-R68	0.68						0.74	310	
LGA0307-R82	0.82						0.80	290	
LGA0307-1R0	1.0		K: $\pm 10\%$		50	0.90	7.96	144	260
LGA0307-1R2	1.2					1.0		131	250
LGA0307-1R5	1.5					1.1		121	240
LGA0307-1R8	1.8					1.2		110	230
LGA0307-2R2	2.2			1.3		100		220	
LGA0307-2R7	2.7			1.4		94		210	
LGA0307-3R3	3.3			1.6		65		200	
LGA0307-3R9	3.9			1.7		56		190	
LGA0307-4R7	4.7			1.9	48	180			
LGA0307-5R6	5.6			2.0	37	175			
LGA0307-6R8	6.8			2.2	25	165			
LGA0307-8R2	8.2			2.5	21	160			
LGA0307-100	10			2.5	19	150			
LGA0307-120	12			2.8	17	145			
LGA0307-150	15			3.1	13	140			
LGA0307-180	18			3.4	9.6	130			
LGA0307-220	22			3.8	7.2	125			
LGA0307-270	27			4.1	6.3	120			
LGA0307-330	33			4.5	6.3	115			
LGA0307-390	39			4.9	6.3	110			
LGA0307-470	47	5.3		6.2	105				
LGA0307-560	56	5.8		5.7	100				
LGA0307-680	68	6.3		5.3	95				
LGA0307-820	82	7.0		4.8	90				
LGA0307-101	100	J: $\pm 5\%$		50	13.0	2.52	3.8	90	
LGA0307-121	120				15.0		6.3	120	
LGA0307-151	150				16.0		6.3	115	
LGA0307-181	180				17.0		6.3	110	
LGA0307-221	220		19.0		6.2		105		
LGA0307-271	270		20.0		5.7		100		
LGA0307-331	330		22.0		5.3		95		
LGA0307-391	390		24.0		4.8		90		
LGA0307-471	470		26.0		3.8		90		
LGA0307-561	560		28.0		3.5		85		
LGA0307-681	680		30.0		3.3		80		
LGA0307-821	820		33.0		3.0		75		
LGA0307-102	1000		2.8	65					
			2.6	60					
			2.4	55					
			2.25	55					
			2.10	50					
			1.95	45					
			1.85	40					
			1.40	40					
測試儀器 Test equipment	HP4285A (HP4286A, HP4287A)			HP4338B		HM9461	HP42841A		
環境溫度 Ambient temperature	18~25°C								
環境濕度 Ambient humidity	45%~75%								

#特殊要求的產品可以根據客戶要求生產
The products can be customized according to customer requirement.

LGA型色碼電感器 LGA TYPE COLOR CODE INDUCTORS

LGA0410型電感器電性能參數及測試條件
LGA0410 TYPE INDUCTORS ELECTRICAL CHARACTERISTICS & TEST CONDITIONS

LGA0410 類型Type	標稱電感量 Nominal Inductance (μ H)	誤差 Tolerance	Q (min)	直流電阻 RDC max	測試頻率 Test frequency (MHZ)	自諧頻率 SRF (MHZ)min	額定電流 Rated current I_{dc} (mA)max
LGA0410-R22	0.22	M: $\pm 20\%$	45	0.10	25.2	300	1400
LGA0410-R27	0.27		45	0.11		270	1320
LGA0410-R33	0.33		45	0.12		250	1280
LGA0410-R39	0.39		45	0.13		230	1200
LGA0410-R47	0.47		45	0.14		220	1150
LGA0410-R56	0.56		45	0.15		200	1122
LGA0410-R68	0.68		45	0.16		190	1030
LGA0410-R82	0.82		45	10.17		172	980
LGA0410-1R0	1.0		45	0.19		157	920
LGA0410-1R2	1.2		50	0.21		144	880
LGA0410-1R5	1.5		50	0.23	131	830	
LGA0410-1R8	1.8		55	0.25	121	790	
LGA0410-2R2	2.2		55	0.28	110	750	
LGA0410-2R7	2.7		60	0.30	100	720	
LGA0410-3R3	3.3		65	0.34	94	670	
LGA0410-3R9	3.9		65	0.37	65	640	
LGA0410-4R7	4.7		70	0.39	56	620	
LGA0410-5R6	5.6		70	0.43	48	590	
LGA0410-6R8	6.8		75	0.48	37	550	
LGA0410-8R2	8.2		80	0.52	25	530	
LGA0410-100	10	65	0.58	21	500		
LGA0410-120	12	50	0.63	19	480		
LGA0410-150	15	50	0.72	17	460		
LGA0410-180	18	50	0.77	13	430		
LGA0410-220	22	50	0.84	9.6	410		
LGA0410-270	27	55	0.94	7.2	390		
LGA0410-330	33	55	1.03	6.3	370		
LGA0410-390	39	50	1.12	6.3	350		
LGA0410-470	47	45	1.22	6.3	340		
LGA0410-560	56	40	1.34	6.2	320		
LGA0410-680	68	40	1.47	5.7	305		
LGA0410-820	82	35	1.62	5.3	290		
LGA0410-101	100	30	1.80	4.8	275		
LGA0410-121	120	55	3.70	3.8	185		
LGA0410-151	150	45	4.20	3.5	175		
LGA0410-181	180	50	4.60	3.3	165		
LGA0410-221	220	55	5.10	3.0	155		
LGA0410-271	270	65	5.80	2.8	145		
LGA0410-331	330	65	6.40	2.6	137		
LGA0410-391	390	65	7.00	2.4	133		
LGA0410-471	470	60	7.70	2.25	126		
LGA0410-561	560	60	8.85	2.10	120		
LGA0410-681	680	55	9.40	1.95	113		
LGA0410-821	820	55	10.50	1.85	105		
LGA0410-102	1000	50	14.00	1.40	100		
測試儀器 Test equipment	HP4285A (HP4286A, HP4287A)			HP4338B		HM9461	HP42841A
環境溫度 Ambient temperature	18~25°C						
環境濕度 Ambient humidity	45%~75%						

#特殊要求的產品可以根據客戶要求生產
The products can be customized according to customer requirement.

LGA0510型電感器電性能參數及測試條件
LGA0510 TYPE INDUCTORS ELECTRICAL CHARACTERISTICS & TEST CONDITIONS

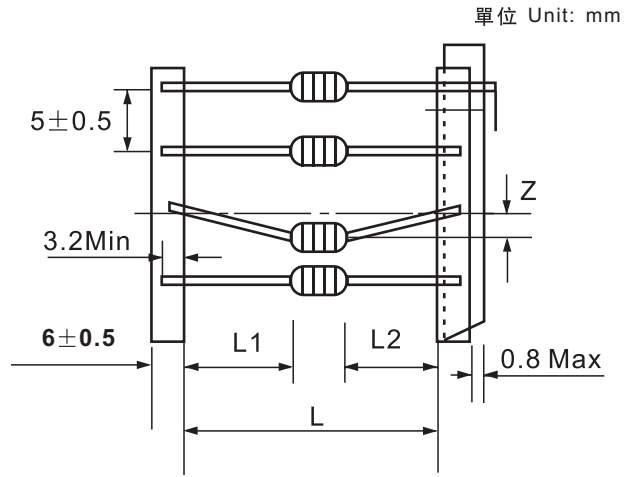
LGA0510 類型Type	標稱電感量 Nominal Inductance (μ H)	誤差 Tolerance	Q (min)	直流電阻 RDC (Ω)max	測試頻率 Test frequency (MHZ)	自諧頻率 SRF (MHZ)min	額定電流 Rated current I_{DC} (mA)max		
LGA0510-471	470	M: $\pm 20\%$	60	7.70	0.796	1.9	126		
LGA0510-561	560		50	8.50		1.8	120		
LGA0510-681	680		55	9.00		1.5	113		
LGA0510-821	820		45	10.5		1.2	105		
LGA0510-102	1000		K: $\pm 10\%$	45	14.0	0.252	1.0	100	
LGA0510-122	1200			40	16.0		0.95	95	
LGA0510-152	1500			40	21.6		0.90	90	
LGA0510-182	1800			40	24.0		0.85	85	
LGA0510-222	2200			40	34.7		0.80	80	
LGA0510-272	2700			40	40.0		0.75	75	
LGA0510-332	3300			40	59.5		0.70	62	
LGA0510-392	3900			J: $\pm 5\%$	40		66.0	0.65	59
LGA0510-472	4700				40		74.0	0.60	55
LGA0510-562	5600	30			80.0		0.50	40	
LGA0510-682	6800	30			85.0		0.45	35	
LGA0510-822	8200	30			95.0		0.40	30	
LGA0510-103	10000	20			105.0		0.0796	0.35	25
測試儀器 Test equipment	HP4285A (HP4286A, HP4287A)				HP4338B		HM9461	HP42841A	
環境溫度 Ambient temperature	18~25 $^{\circ}$ C								
環境濕度 Ambient humidity	45%~75%								

#特殊要求的產品可以根據客戶要求生產
The products can be customized according to customer requirement.

LGA型色碼電感器 LGA TYPE COLOR CODE INDUCTORS

- 包裝方式
PACKAGING STYLE

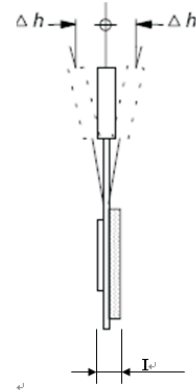
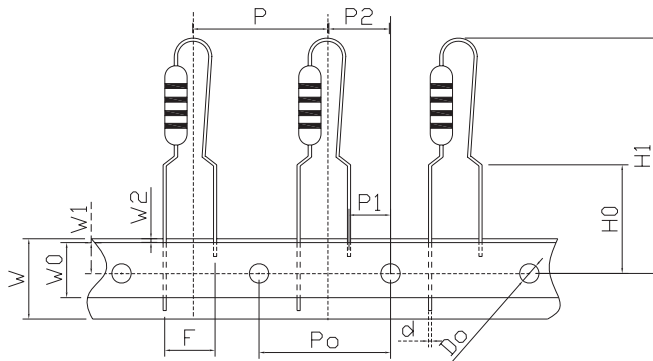
- 卷帶尺寸
TAPING DIMENSIONS



編帶方式 Tape style	L	Z	L1-L2
編帶內距:26 Tape width	26 ± 1.0	0.8 Max	1.0 Max
編帶內距:52 Tape width	52 ^{+2.0} _{-1.0}	1.2 Max	

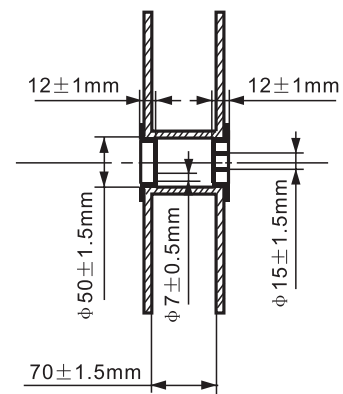
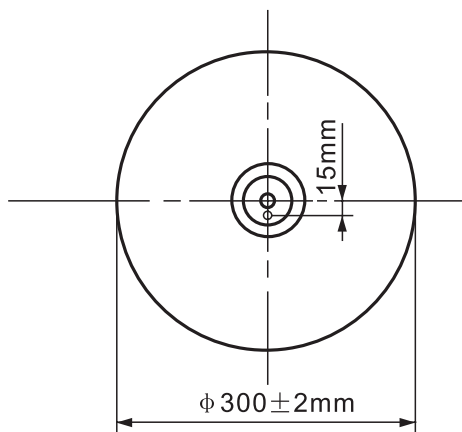
• 立式卷帶尺寸
VERTICAL TAPING DIMENSIONS

單位 Unit: mm



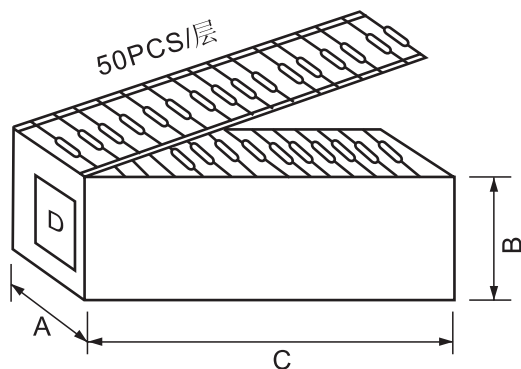
代號 Code1	P	P0	P1	P2	d	Δh	W	W0	W1	W2	H0	H1	D0	I	F
尺寸 Dim.	12.7	12.7	3.85	6.35	0.6	0	18.5	12	9	1.5	15-20	32.25	4.0	1.4	5
誤差 Tol.	±1.0	±0.2	±0.7	±0.4	±0.1	±1.0	±1.0	±1.0	±1.0	±1.5	±0.5	Max	±0.2	Max	±0.8

• 卷帶包裝尺寸
TAPE&REEL PACKAGING DIMENSIONS



LGA型色碼電感器 LGA TYPE COLOR CODE INDUCTORS

- 盒帶包裝尺寸
AMMO PACKAGING DIMENSIONS



- 包裝盒尺寸
DIMENSIONS OF BOX

單位 Unit: mm

編帶類型 Tape type	尺寸 Dimensions (±5mm)		
	A	B	C
52	75	82	260
26	50	82	260

- 包裝數量
PACKAGING QUANTITY

單位 Unit: pcs

包裝方式 Packaging style	盒帶包裝 Ammo	散包裝 Bulk
包裝數量 Quantity	2000	1000

可根據用戶需求包裝
Packaging according to customer's requirement