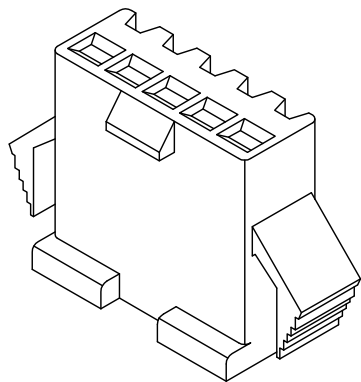
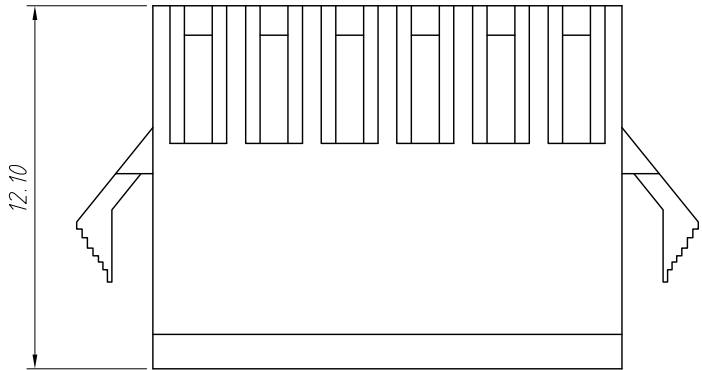
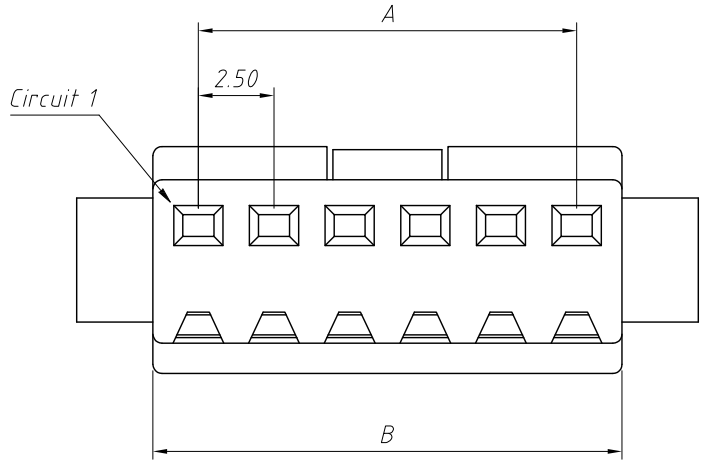


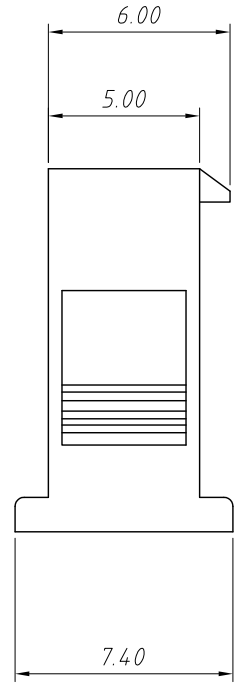
1  
RoHS Compliance



Material:  
Housing:PA66,UL94V-2

Electrical Characteristics:  
Rated Current:3.0AMP  
Voltage rating:250V AC,DC  
Temperature range:-25°C ~ + 85°C  
Insulator Resistance:500MΩ Min  
Withstanding Voltage:1500V AC/minute  
Contact Resistance:10mΩ Max

Pin	Dimensions(mm)	
	A	B
02	2.50	5.50
03	5.00	8.00
04	7.50	10.50
05	10.00	13.00
06	12.50	15.50
07	15.00	18.00
08	17.50	20.50
09	20.00	23.00
10	22.50	25.50
11	25.00	28.00
12	27.50	30.50



ANGLE TOLERANCE	PROJECTION	Description:	2.50mm Pitch SM Type Wire To Wire Connector
±3°			
GENERAL TOLERANCE	UNITS	mm	<b>CONN THERM</b>
x.x ±0.30	SHEET SIZE	A4	
x.xx ±0.20	Draw:	2021-01-11	
x.xxx ±0.10	Check:	2021-01-11	