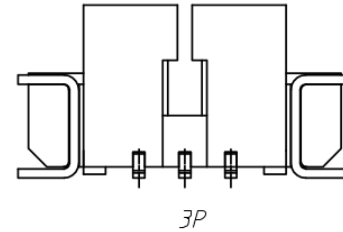
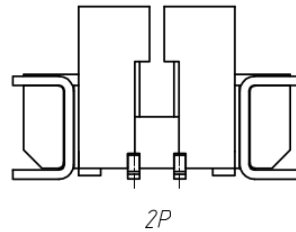
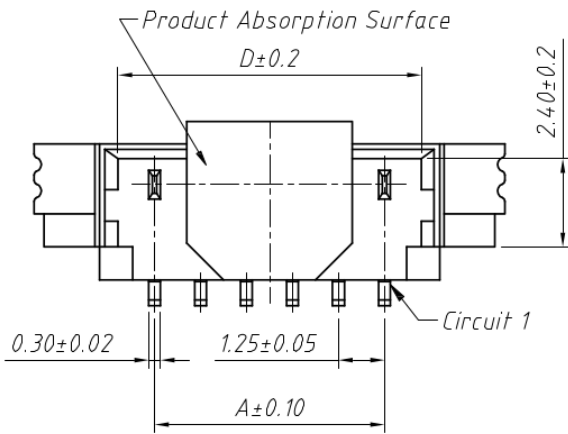


Suggested PCB Layout



Material:
 Insulator: LCP UL 94 V-0, Beige
 Contacts: Phosphor Bronze, Tin Plated
 Solder Tab: Brass, Tin Plated
Electrical Specification:
 Poles: 02 to 16
 Contact resistance: $\leq 20m\Omega$
 Insulation resistance: $\geq 100M\Omega$
 Rated voltage: 125V AC DC
 Rated current: 1.0A AC DC
 Withstand Voltage: 500V AC/minute
 Temperature Range: $-25^{\circ}C \sim +105^{\circ}C$

Circuit	Dimensions(mm)				Circuit	Dimensions(mm)			
	A	B	C	D		A	B	C	D
02	1.50	4.25	7.75	3.05	10	11.25	14.25	17.75	13.05
03	2.50	5.50	9.00	4.30	11	12.50	15.50	19.00	14.30
04	3.75	6.75	10.25	5.55	12	13.75	16.75	20.25	15.55
05	5.00	8.00	11.50	6.80	13	15.00	18.00	21.50	16.80
06	6.25	9.25	12.75	8.05	14	16.25	19.25	22.75	18.05
07	7.50	10.50	14.00	9.30	15	17.50	20.50	24.00	19.30
08	8.75	11.75	15.25	10.55	16	18.75	21.75	25.25	20.55
09	10.00	13.00	16.50	11.80					

GENERAL TOLERANCE	PROJECTION		Description:
X. ± 0.30	UNITS	mm	Pitch 1.25mm Vertical SMT Wafer
.X ± 0.20	SCALE	1:1	
.XX ± 0.10	Draw by:	Jenny	
ANGLE TOLERANCE	Check by:		CONN THERM
X. $\pm 5^{\circ}$	Date	2018-03-01	
.X $\pm 3^{\circ}$	SHEET	1 OF 1	
.XX $\pm 2^{\circ}$			