

Specification for approval

Description(产品类型):	Transformer
Customer p/n(客户):	
ZETTLER p/n(赛特勒):	XZM-RM0605
Revision(版本号):	A3
Page(页数):	3

Drafted(制作):Lin huanping

Checked(审核): Zhang rongxin

Approved(确认):He zongnian



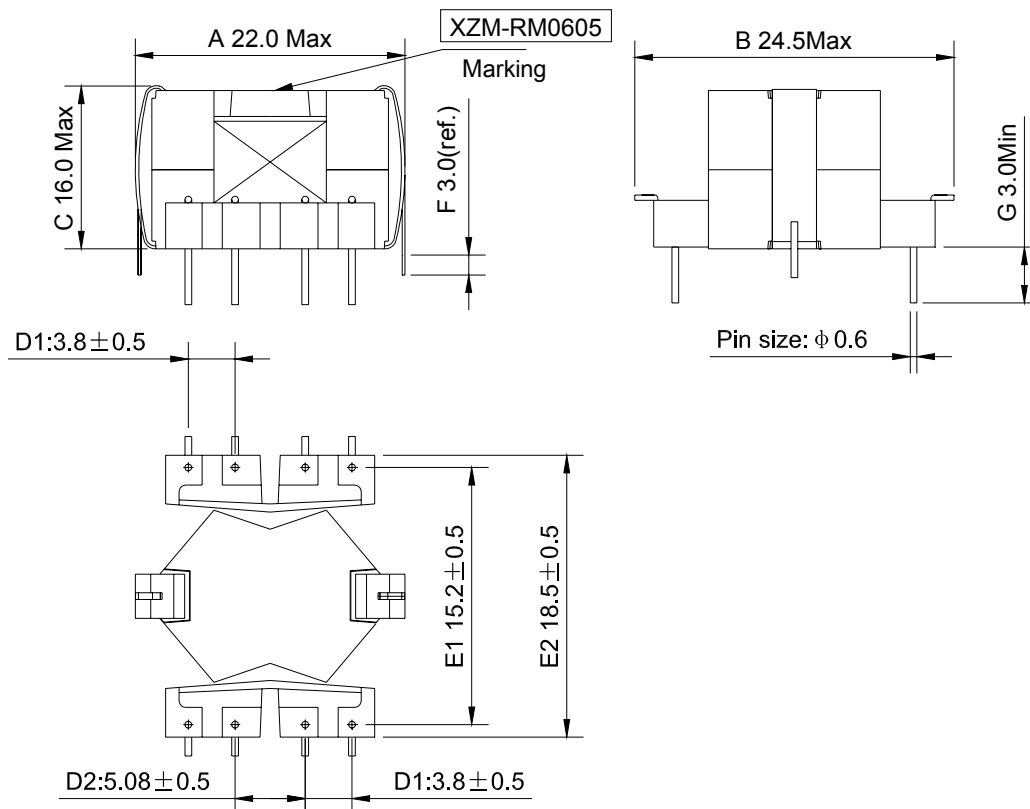
A3	2014/9/12	Change the NS(5-6) winding RDC from 600mΩ Max to 680mΩ	
A2	2014/7/22	According customer's request change the design.	
A1	2014/5/22	According customer's request change the design.	
Rev.	Date	Description	Changed

Approved by customer (客户确认) : _____

Friendly Reminder: Please help to sign this Spec when approve , and fax to our company .Or else, we will consider you have accepted it and make future order based on this Spec.

友情提示:请在签字确认后,按封面的传真号码回传给赛特勒磁电有限公司.如无回传,则视为默认,后续的相关订单将以按本承认书的规定为技术要求.

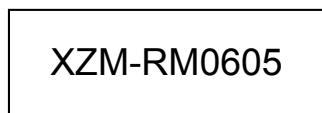
1. OUTLINE DRAWING(外形图):UNIT(单位): mm



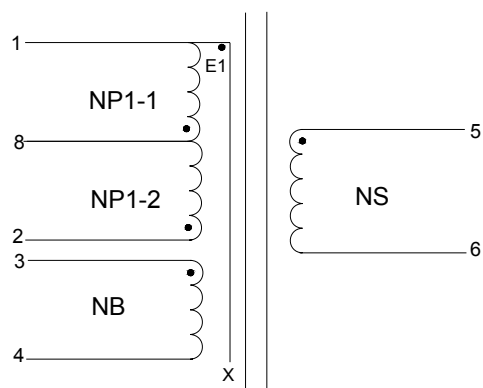
Notes(注):

- ◆ PCB drill hole is recommended to be 1.0mm; (建议 PCB 开孔孔径为 1.0mm)
- ◆ If PIN layout and footprint have slightly deviation, please refer to actual PCB assembly, the ones can be normally inserted into PCB is qualified. (PIN 距、排距尺寸测量有偏差时,以 PCB 下板实装确认,可正常下板为合格)
- ◆ The Pin length doesn't include the solder tip (PIN 脚长度不包括锡尖)

2. MARKING (标记图)



3. SCHEMATIC (原理图):



• Polarity

4. ELECTRICAL SPECIFICATION(电气特性测试):

TEST TEMPERATURE(测试温度)@25±2°C:

Item 项目	Terminal 端子	Specification 规格值	Test condition 测试条件
Inductance 电感量	2--1	0.7mH±15%	10KHz,1.0V,SER
Leakage inductance 漏电感	2--1 (5,6 pin short)	60uH Max	10KHz,1.0V,SER
DCR 直流电阻(Ω)	2--1	4.2Ω Max	Ta=25°C
	4--3	350mΩ Max	
	5--6	680mΩ Max	
Polarity& turns ratio 极性和圈数比	NP:NB:NS	99:21:33	10KHz,1.0V
HI-POT Voltage 耐压	NP,NB--NS	AC1.2KV	50Hz or 60Hz 2mA/2S
	NP--NB	AC0.8KV	

5. PRECAUTIONS FOR USE (产品使用注意事项):

Ambient temperature range (使用环境温度范围): -25~+40°C

Storage temperature range(保存温度范围): -25~+80°C