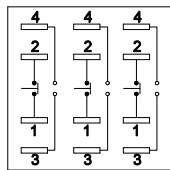
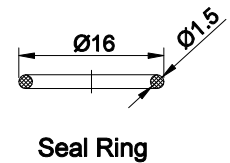
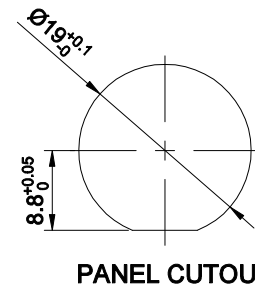
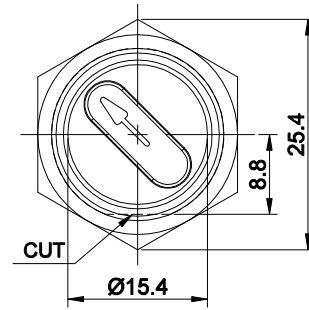
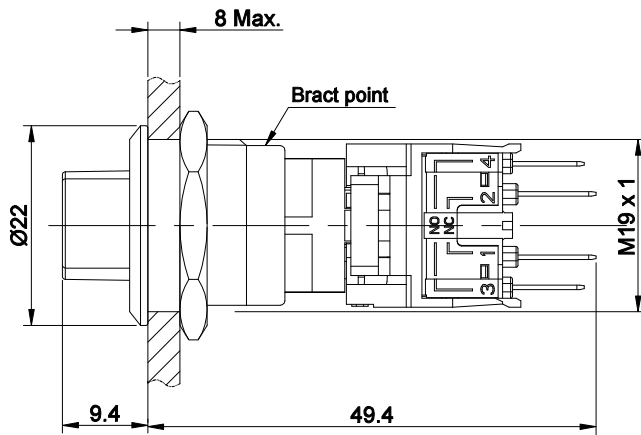
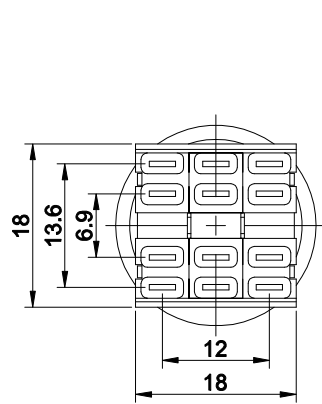


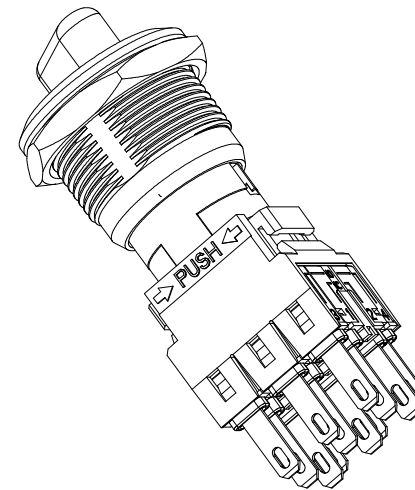
| | | |
|-------------|--------------------|---------------|
| FOR 客户名称 | APPROVED 客户确认签字 | ATTN 销售负责人 |
| | | |



Contact Composition
 1, 2, 3, 4 are one set.
 1,2 are normal closed(NC);
 3,4 are normal opened(NO).

States in operation

| Operation Position | Switch Type | 90° 2 position | | |
|--------------------|-------------|----------------|--------|----------|
| | | 1NO1NC | 2NO2NC | 3NO3NC |
| ⊙ | ⊙ | ●● | ●● ●● | ●● ●● ●● |
| ⊕ | ⊕ | ○● | ○● ○● | ○● ○● ○● |
| ⊗ | ⊗ | ○● | ○● ○● | ○● ○● ○● |



| | |
|-----|---------------------------|
| "□" | Contact structure |
| 11 | 1NO 1NC |
| 22 | 2NO 2NC |
| 33 | 3NO 3NC |
| "◆" | Operation position |
| 2 | Two Position |
| "●" | Operation type |
| 1 | Maintain |
| 3 | Return |

SPECIFICATIONS:

- Switch Rating: AC220V/2A, DC220V/0.1A.
- Mechanical Life: ≥500,000cycles.
- Electrical Life: ≥50,000cycles.
- Contact Resistance: ≤50mΩ.
- Insulation Resistance: ≥1000MΩ.
- Dielectric Strength: AC 1,500V, RMS 50Hz, 1min.
- Operating Temperature: -25°C~ +55°C(No Freezing).
- Torque: About 0.8Nm max.applied to nut.
- Protection Degree: IP65, IK09.
- Terminal Type: Pin Terminal(2.8 x 0.5mm).
- Operating requirement: 90°rotation requires, rotation in place.

MATERIALS:

- Contact: Silver alloy.
- Button: Stainless Steel.
- Body: Stainless Steel.
- Base: PC/PA.

Part Number:LAS1-BGQ-□X/◆●/S

| | | | |
|---|---------------------|--|---------------------------|
| BRAND 品牌 | ONPOW 欧宝龙 | 红波按钮制造有限公司 ONPOW PUSH BUTTON MANUFACTURE CO.,LTD. | |
| THESE DRAWINGS AND SPECIFICATIONS ARE THE PROPERTY OF ONPOW PUSH BUTTON MANUFACTURE CO.,LTD. AND SHALL NOT BE REPRODUCED COPIED OR USED IN ANY MANNER WITHOUT THE PRIOR WRITTEN CONSENT OF ONPOW PUSH BUTTON MANUFACTURE CO.,LTD. | | USED 用途 | APPD 审核 CH 2021/11/04 |
| FINISH 处理 | | DR. 制图 | CHKD 校对 NCH 2021/11/04 |
| SCALE 比例 1.2 : 1 | | UNIT 单位 mm | DR. 制图 YDY 2021/11/04 |
| DIMENSIONS | | TOLERANCE | |
| 0.00 TO 3.00mm | | ±0.25mm | |
| 3.01 TO 6.00mm | | ±0.30mm | |
| 6.01 TO 10.00mm | | ±0.38mm | |
| 10.01 TO 18.00mm | | ±0.43mm | |
| 18.01 TO 30.00mm | | ±0.52mm | |
| 30.01 TO 50.00mm | | ±0.62mm | |
| 50.01 TO 80.00mm | | ±0.74mm | |
| Government standard: GB/T 1800.1-2009; Grade of tolerance: IT14. | | TITLE 名称 LAS1-BGQ Series selector switch | |
| DWG NO. 图号 LAS1-BGQ-X二位置 | | SIZE 图纸 A4 | |
| FILE NAME 档案名称 LAS1-BGQ-X.DWG | | SHEET 张 1 / 1 | REV. 更改 1 |