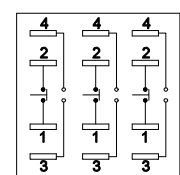
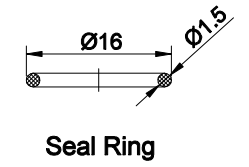
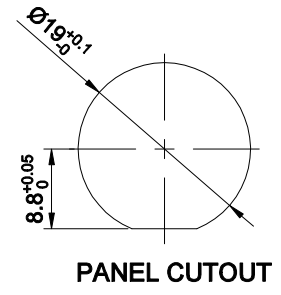
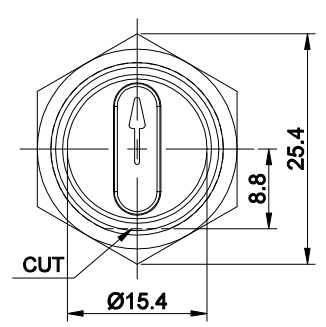
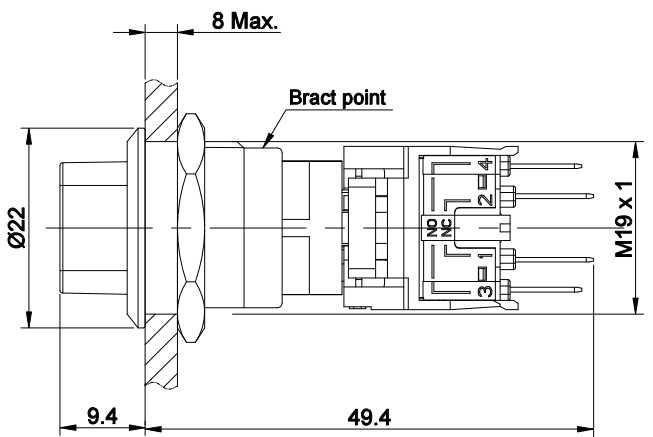
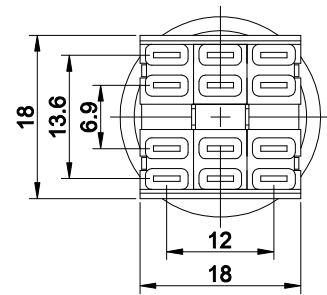


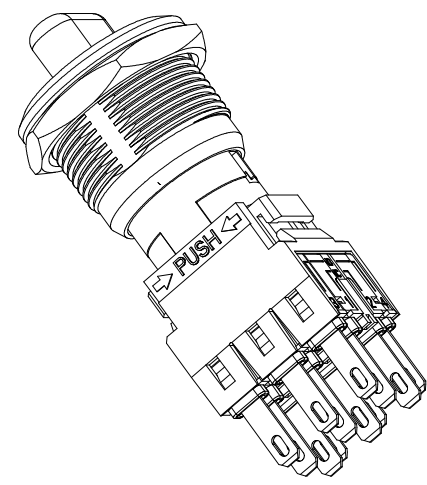
FOR 客户名称	APPROVED 客户确认签字	ATTN 销售负责人



Contact Composition
 1, 2, 3, 4 are one set.
 1,2 are normal closed(NC);
 3,4 are normal opened(NO).

States in operation

Operation Position	Switch Type	90° 3 position			
		2NO2NC	2NO2NC	2NO2NC	3NO3NC
⊙	⊙	●●	●●	●●	●●●●
⊙	⊙	●●	●●	●●	●●●●
⊙	⊙	●●	●●	●●	●●●●



"□"	Contact Structure
22	2NO2NC
33	3NO3NC

"◇"	Operation Position
3	Three Position

"◆"	Operation Type
1	Maintain
2	Half Return
3	Return

SPECIFICATIONS:

- 1.Switch Rating: AC220V/2A, DC220V/0.1A.
- 2.Mechanical Life: ≥500,000cycles.
- 3.Electrical Life: ≥50,000cycles.
- 4.Contact Resistance: ≤50mΩ.
- 5.Insulation Resistance: ≥1000MΩ.
- 6.Dielectric Strength:AC 1,500V, RMS 50Hz, 1min.
- 7.Operating Temperature: -25°C~ +55°C(No Freezing).
- 8.Torque: About 0.8Nm max.applied to nut.
- 9.Protection Degree: IP65, IK09.
- 10.Terminal Type: Pin Terminal(2.8 x 0.5mm).
- 11.Operating requirement: 90°rotation requires, rotation in place.

MATERIALS:

- 1.Contact: Silver alloy.
- 2.Button: Stainless Steel.
- 3.Body: Stainless Steel.
- 4.Base: PC/PA.

Part Number:LAS1-BGQ-□X/◇◆

BRAND 品牌	ONPOW 欧宝龙	红波按钮制造有限公司 ONPOW PUSH BUTTON MANUFACTURE CO.,LTD.	
THESE DRAWINGS AND SPECIFICATIONS ARE THE PROPERTY OF ONPOW PUSH BUTTON MANUFACTURE CO.,LTD. AND SHALL NOT BE REPRODUCED COPIED OR USED IN ANY MANNER WITHOUT THE PRIOR WRITTEN CONSENT OF ONPOW PUSH BUTTON MANUFACTURE CO.,LTD.	USED 用途	APPD 审核	CH 2021/11/04
FINISH 处理	SCALE 比例	CHKD 校对	NCH 2021/11/04
DIMENSIONS	TOLERANCE	DR. 制图	YDY 2021/11/04
0.00 TO 3.00mm	±0.25mm	TITLE 名称	LAS1-BGQ Series selector switch
3.01 TO 6.00mm	±0.30mm	DWG NO. 图号	LAS1-BGQ-X三位置
6.01 TO 10.00mm	±0.36mm	FILE NAME 档案名称	LAS1-BGQ-X.DWG
10.01 TO 18.00mm	±0.43mm	SHEET 张	1 / 1
18.01 TO 30.00mm	±0.52mm	REV. 更改	1
30.01 TO 50.00mm	±0.62mm		
50.01 TO 80.00mm	±0.74mm		
Government standard: GB/T 1800.1-2009; Grade of tolerance: IT14.			