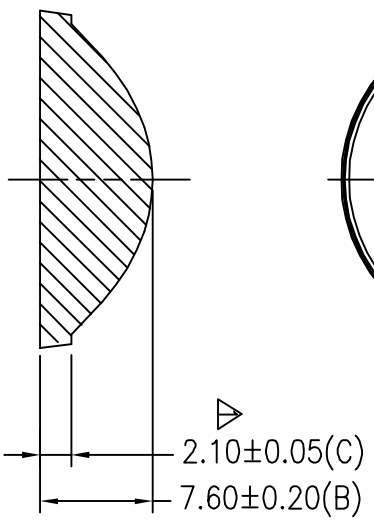
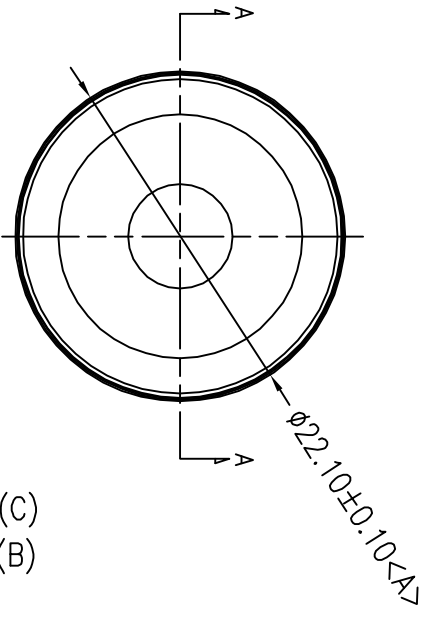




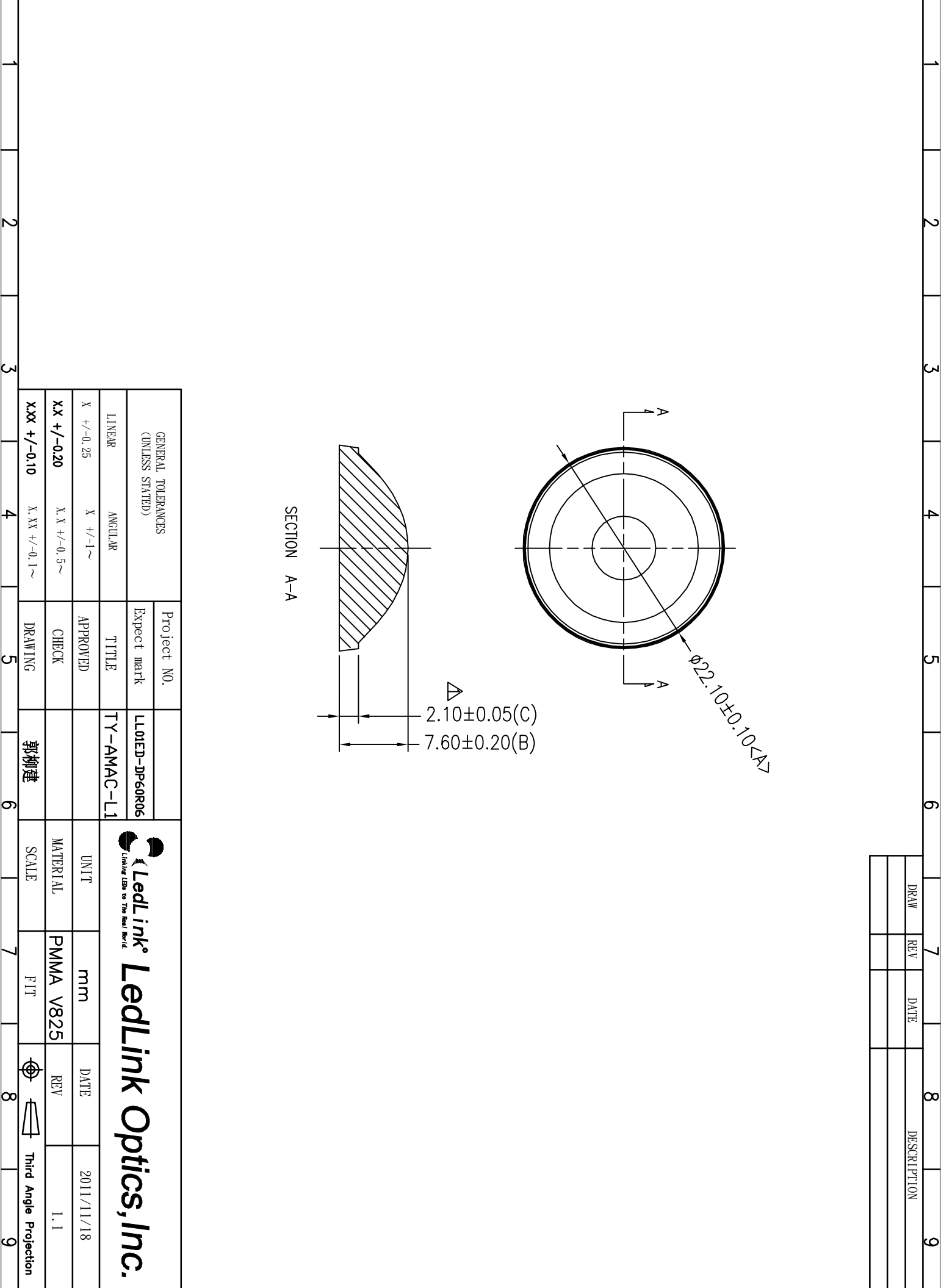
DRAW	REV	DATE	DESCRIPTION



SECTION A-A

GENERAL TOLERANCES (UNLESS STATED)		Project NO.	LL01ED-DP60R06		 Ledlink® Lighting LED to The Real World Ledlink Optics, Inc.
LINEAR	ANGULAR	Expect mark	TY-AMAC-L1		
X ± 0.25	X $\pm 1 \sim$	TITLE	UNIT		mm
XX ± 0.20	X: X $\pm 0.5 \sim$	APPROVED	MATERIAL		PMMA V825
XXX ± 0.10	X: XX $\pm 0.1 \sim$	CHECK	SCALE		FIT
DRAWING		鄧柳建	DATE		2011/11/18
			REV		1.1
			 Third Angle Projection		

A B C D E F



A B C D E F