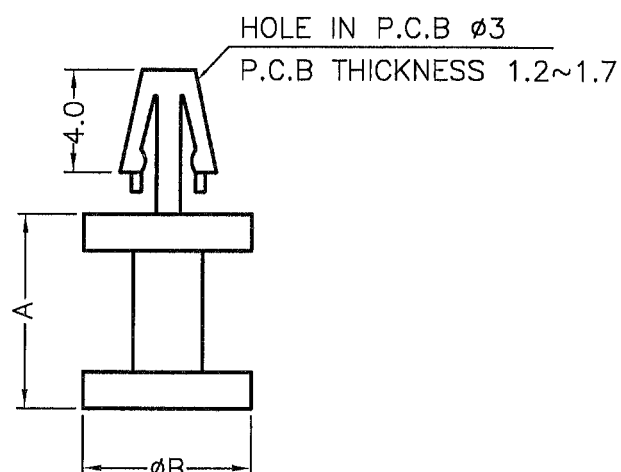
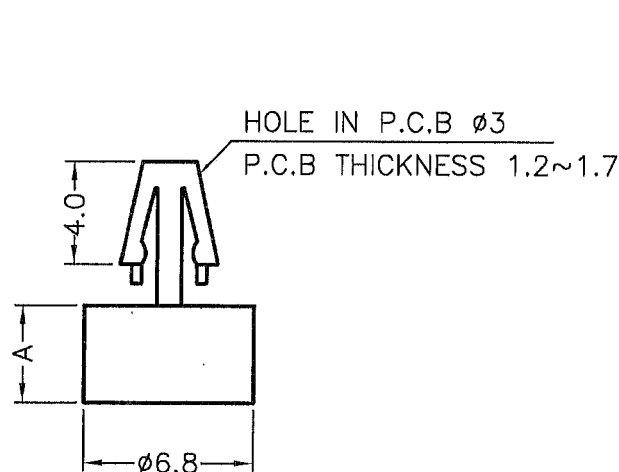


DIM.	TOL
5mm DOWN	±0.2
5~20mm	±0.3
20~40mm	±0.4
40~60mm	±0.5
60~100mm	±0.8
100mm UP	±1.0

REVISIONS			
REV	DESCRIPTION	DATE	BY



PART NO.	A
DCB-3	3.0
DCB-3.5	3.5
DCB-4	4.0

PART NO.	A	B
DCB-5	5.0	6.0
DCB-5.8	5.8	6.9
DCB-6	6.0	6.8
DCB-6.5	6.5	6.0
DCB-7	7.0	6.0
DCB-8	8.0	6.8
DCB-10	10.0	6.8
DCB-15	15.0	6.0

NOTE: All measurement does not include gate which raises under 0.3mm.



 康揚企業股份有限公司 KANG YANG HARDWARE ENTERPRISE CO., LTD. 康揚塑膠(東莞)有限公司 KANG YANG PLASTIC(DONG GUAN) CO., LTD. 康哲電腦配件(吳江)有限公司 KANG CHE COMPUTER COMPONENTS(WUJIANG) CO., LTD.				TITLE	SPACER SUPPORT	SPEC. DWG.
				MATERIAL	NYLON 66 UL94V-2	DATE
PART NUMBER		DRAWING NUMBER	FINISH	DRAWN	JASON	
SEE ABOVE		DCB-H	COLOR	CHECK		
SIZE	SCALE	UNIT	REV	APPROVED	Kang	
A4	NONE	mm	C			
UNLESS OTHERWISE SPECIFIED TOLERANCE				SEE ABOVE		