

A-A SEC

DIM.A = 0.50 \* No. of Spaces  
 DIM.B = DIM.A + 3.0  
 DIM.C = DIM.A + 2.0  
 DIM.D = DIM.A + 0.5

\* Available in 10 through 80 circuits

Ordering Code

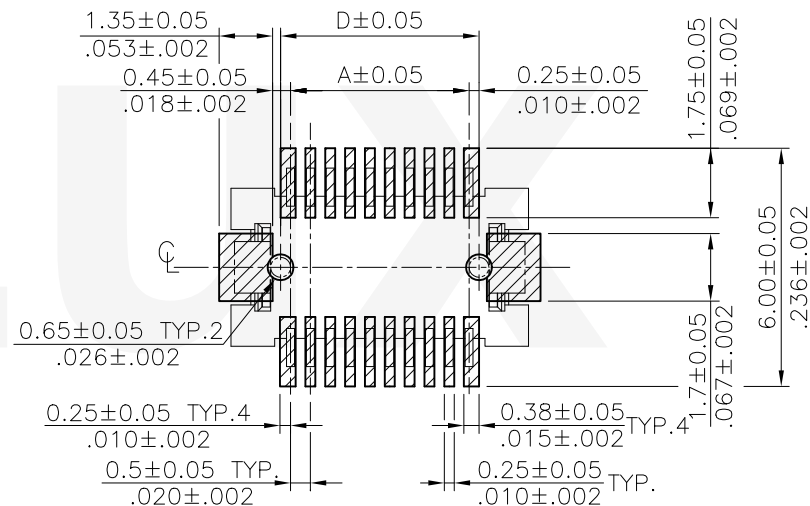
CBRB 020 P A 2 F P1 R 0 -NH  
 ① ② ③ ④ ⑤ ⑥ ⑦ ⑧ ⑨ ⑩

- ① Series No.
- ② No. of Circuits
- ③ Connector Type: P= Plug
- ④ Height:  
A: Dim.E= 2.0mm
- ⑤ Plating code:  
2= 0.05μm(2.0u") Min. Gold Flash  
Plating on Contact area and  
Solder tails, 1.27μm(50u") Nickel  
Underplating over all
- ⑥ Fixed Tab option:  
0= Without Fixed Tabs  
F= With Fixed Tabs

Material:

- \* Insulation:  
Glass filled Polyamide UL 94V-0  
Color Black
- \* Contact: Copper alloy, t=0.2mm
- \* Fixed Tab: Brass, t=0.2mm
- \* Tab plating : 120u" min. Matte Tin Plated  
over 50u"min. Nickel

- ⑦ Pegs Option:  
00= Without Pegs  
P1= With Pegs
- ⑧ Packing Option:  
R= Tape & Reel
- ⑨ Other option code:  
0= Standard
- ⑩ -NH= For Lead Free IR Processes  
and Halogen-Free



Recommended P.C. Board Layout

Halogen-Free

Lead Free Process

RoHS compliant

④					DATE	UNIT: mm / inch	TOLERANCE UNLESS OTHERWISE SPECIFIED
③				DRAWN BY: Sandy	7/15-14'		
②	Sandy	7/10-11'	ECNT114140	ENGINEER: Sun	7/16-14'	.X ± 0.30/.012 X' ± 1'	
①	Karen	10/25-12'	ECN12242-0/ECR12031-1	CHECKED BY: Eisley	7/18-14'	.XX ± 0.20/.008 X' ±	
SYM	NAME	DATE	REVISIONS	APPROVED BY: Eisley	7/18-14'	.XXX ± 0.10/.004 XX' ±	



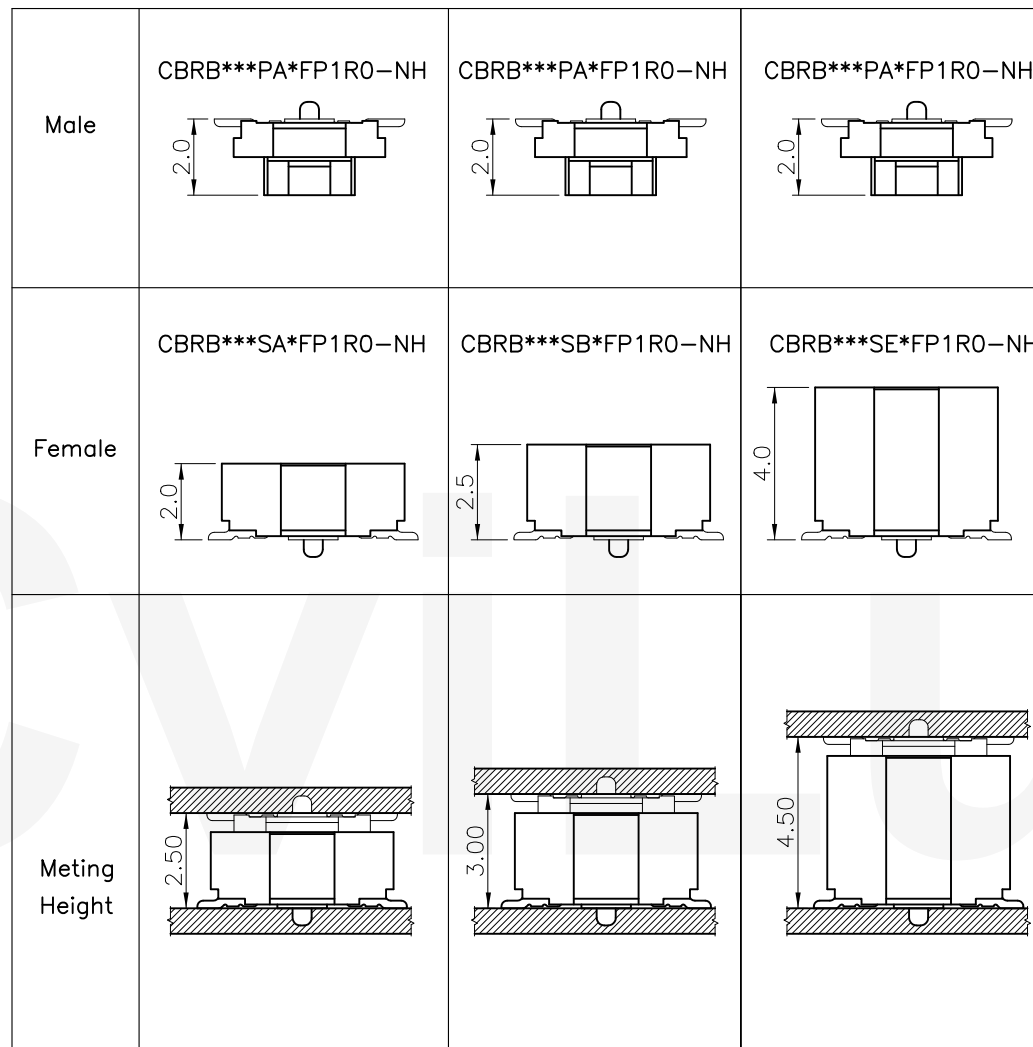
TITLE:

0.50mm(.002") Board To Board  
 Plug Connector




瀚荃股份有限公司  
 CviLux Corporation

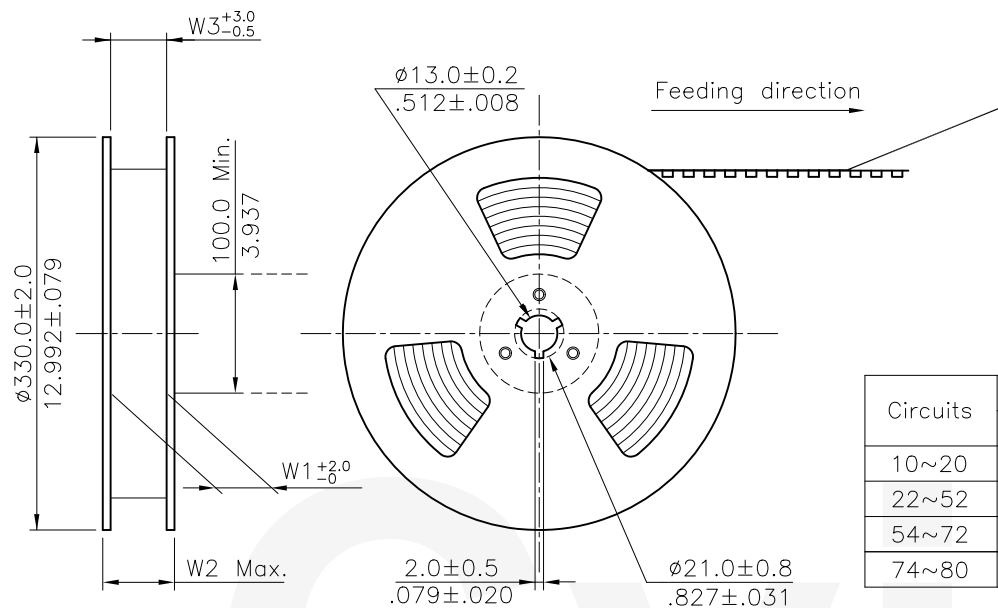
DRAWING NO.	CBRB28SC	PART NO.	CBRB***PA2***R0-NH
SCALE	5 / 1	SHEET	1 OF 3



Halogen-Free  
Lead Free Process  
RoHS compliant

4					DATE	UNIT: mm / inch	TITLE:	 瀚荃股份有限公司 CviLux Corporation
3				DRAWN BY: Sandy	7/15-14'	TOLERANCE UNLESS OTHERWISE SPECIFIED	0.50mm(.002") Board To Board Plug Connector (For Mating height 2.5/3.0/3.5/ 4.0/4.5/5.0mm)	
2	Sandy	7/10-11'	ECNT114140	ENGINEER: Sun	7/16-14'	.X ± 0.30/.012 X' ± 1"		
1	Karen	10/25-12'	ECN12242-0/ECR12031-1	CHECKED BY: Easley	7/18-14'	.XX ± 0.20/.008 X' ±		
SYM	NAME	DATE	REVISIONS	APPROVED BY: Easley	7/18-14'	.XXX ± 0.10/.004 .XX' ±		
								DRAWING NO. CBRB28SC PART NO. CBRB***PA2***R0-NH SCALE 6 / 1 SHEET 2 OF 3

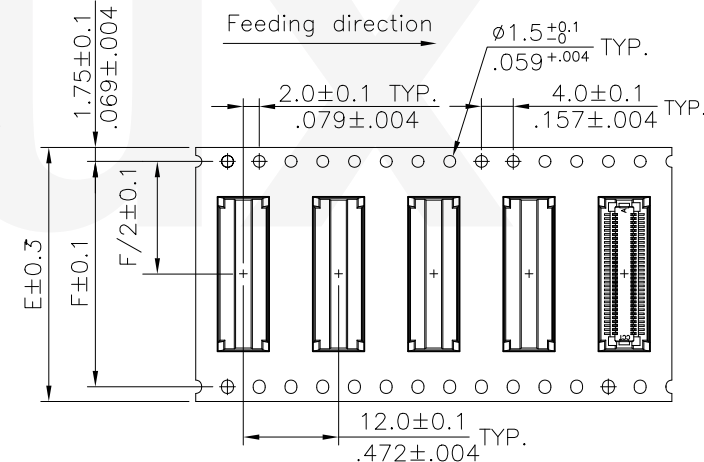
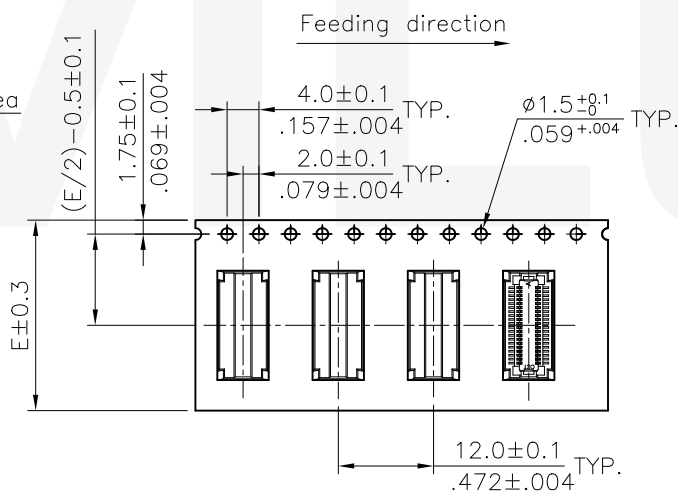
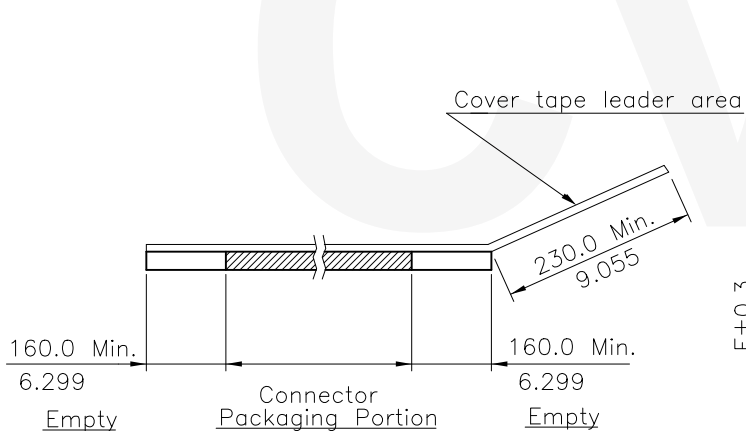
CVILUX CORP  
2014.07.25  
ISSUED



NOTE :

- \* Reel Material : Corrugated Paper
- \* Carrier Material : Clear, Conductive Polystyrene Alloy
- \* Cover Tape Material : Polyester
- \* Cover Tape Peel Strength : 0.1N – 1.3N
- \* Carrier camber is within 1mm in 100mm
- \* All dimensions meet EIA-481-2 & EIA-481-3 requirements.
- \* Quantity : 1500 PCS/Reel

Circuits	Dimension					Packing (Reel/Caton)
	E	F	W1	W2	W3	
10~20	16.0(.630)	-	16.5(.650)	22.5(.886)	16.5(.650)	11
22~52	24.0(.945)	-	24.5(.965)	30.5(1.200)	24.5(.965)	9
54~72	32.0(1.260)	28.40(1.118)	32.5(1.280)	38.5(1.516)	32.5(1.280)	7
74~80	44.0(1.732)	40.40(1.591)	44.5(1.752)	50.5(1.988)	44.5(1.752)	5



△ WIDTH : 16.24 mm Carrier

△ WIDTH : 32.44 mm Carrier

RoHS Compliant

SYM	NAME	DATE	REVISIONS	APPROVED BY:	DATE	UNIT: mm / inch	TITLE:	SCALE	SHEET	OF	3		
4													
3													
2	Sandy	7/10-11'	ECNT114140	DRAWN BY: Sandy	7/15-14'	TOLERANCE UNLESS OTHERWISE SPECIFIED	0.50mm(.002") Board To Board Plug Connector	DRAWING NO. CBRB28SC	PART NO. CBRB***PA2***RO-NH	SHEET 3 OF 3			
1	Karen	10/25-12'	ECN12242-0/ECR12031-1	ENGINEER: Sun	7/16-14'							.X ±	.X' ± 1'
				CHECKED BY: Eisley	7/18-14'							.XX ±	.X' ±
				APPROVED BY: Eisley	7/18-14'							.XXX ±	.XX' ±

