

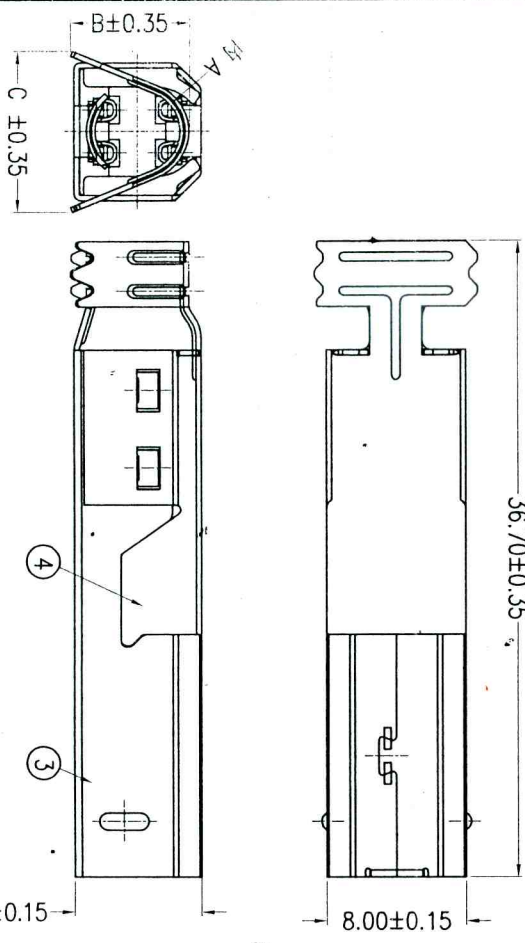
工程出图

List 1

| Finished product | | Semi-manufactured goods | | Terminal 1 | | Housing 2 | | Front Shell 3 | | Back Shell 4 | |
|-------------------|------------------|-------------------------|----------------|------------|--------------------|-----------|------------------|---------------|----------|--------------|---------------------|
| P/N | Spec | P/N | Spec | P/N | Spec | P/N | Spec | P/N | Spec | P/N | Spec |
| USB-B1S01M-XXAX-X | USB B公三件式半圆型 大线夹 | USB-B1S11M-XX4-0 | USB-B公弹线式主体带侧槽 | T-UMFR001 | USB-A、B公共用型端子(半圆型) | H-UMWX25 | USB-B公嵌芯带侧槽(半圆型) | S-UMTX12 | USB-B公前壳 | S-UMMX13 | USB-B公后壳大线夹(OD:5.0) |
| USB-B1S10M-XXAX-X | USB B公三件式半圆型 小线夹 | USB-B1S11M-XX4-0 | USB-B公弹线式主体带侧槽 | T-UMFR001 | USB-A、B公共用型端子(半圆型) | H-UMWX25 | USB-B公嵌芯带侧槽(半圆型) | S-UMTX12 | USB-B公前壳 | S-UMMX18 | USB-B公后壳小线夹(OD:4.2) |
| USB-B1S08M-XXAX-X | USB B公三件式半圆型 大线夹 | USB-B1S11M-XX4-0 | USB-B公弹线式主体带侧槽 | T-UMFR001 | USB-A、B公共用型端子(半圆型) | H-UMWX25 | USB-B公嵌芯带侧槽(半圆型) | S-UMTX86 | USB-B公前壳 | S-UMMR87 | USB-B公后壳大线夹(OD:5.0) |

List 2

| (A) | (B) | (C) |
|-----------|-----|------|
| 大线夹OD:5.0 | 6.8 | 9.5 |
| 小线夹OD:4.2 | 6.4 | 5.75 |



Specification

1. Voltage Rating: 30V AC
2. Current Rating: 1.5AMP.
3. Insulation Resistance: 1000MΩ Min.
4. Contact Resistance: 30mΩ Max.
5. Dielectric Withstanding Voltage: 500V AC
6. Temperature Range: -20°C to +60°C

P/N NOTE:

USB-B1SXM-X X4X-X

W=without halogen O=UL94-V0 H=UL94-HB
 Shell plate spec: T=Tin plated, N=Nickel plated
 Housing colour: B=Black, N=Nature, W=White
 Contact plate spec: 0=FU, 1=3U, 2=6U, 3=15U, 4=30U

| NO. | P/N | VARIETY | MATERIAL | QT,Y | REMARK |
|-----|------------------|-------------|----------|------|--------|
| 4 | See List 1 | Back Shell | SPCC | 1 | T=0.30 |
| 3 | See List 1 | Front Shell | SPCC | 1 | T=0.30 |
| 2 | USB-B1S11M-XX4-0 | Housing | P.B.T | 1 | |
| 1 | | Terminal | C2680 | 4 | T=0.20 |

CZT® DONGGUAN ZHENGDE (YIHUA) CONNECTOR CO., LTD

| CUSTOMER DRAWING | REV. | A/2 | APPD. | D/N: | 1104-0001 | M/N: |
|------------------|------|------------------|-------------|-------------------|-----------|-----------------------|
| X±0.38 | X±4' | UNIT: mm | DR: newyear | TITLE: See List 1 | | |
| X±0.25 | X±2' | 3RD: DE: newyear | SCALE: 1:1 | CHKD: 1 | 1/1 | P/N: USB-B1SXM-XXAX-X |
| .XX±0.20 | .XX' | SCALE: 1:1 | CHKD: 1 | SHEET: 1/1 | | |
| .XXX±0.10 | .XX' | SCALE: 1:1 | CHKD: 1 | SHEET: 1/1 | | |

工程出图

文件发行章
2008-12-31

受控文件
ACCEPT CONTROL FILE