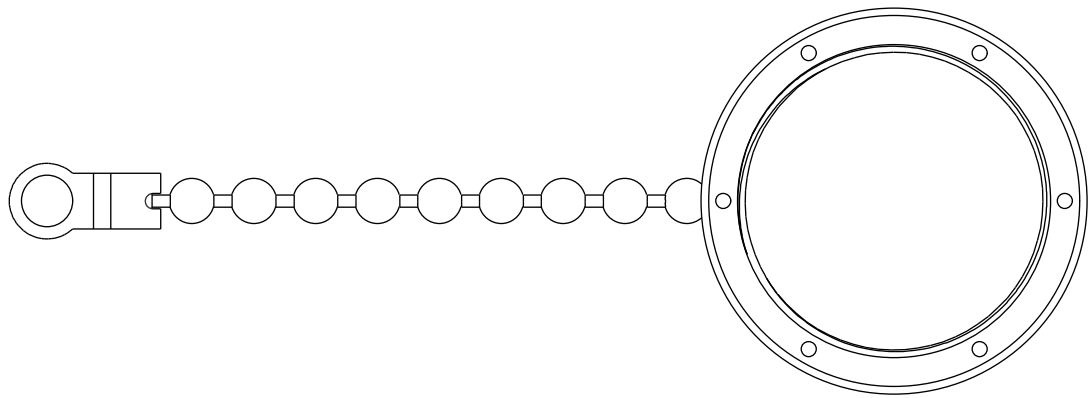
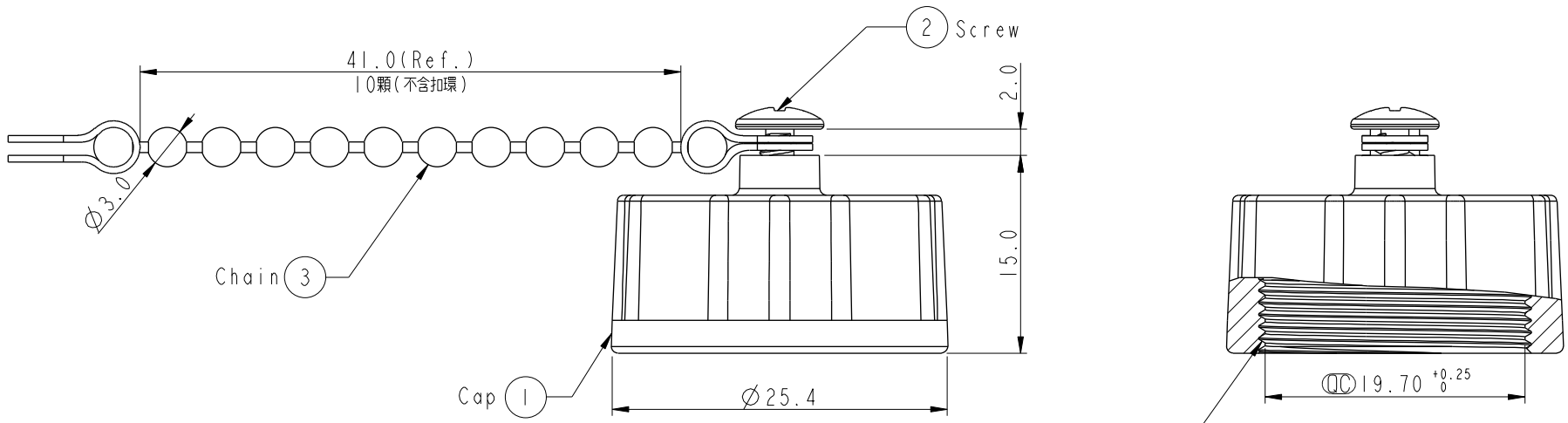


REV.	ECN NO.	DATE	SIGN	DESCRIPTION



ALTW
DCC. DEPT.
CONFIDENTIAL
2013.05.03
ISSUED

ALTW
CONFIDENTIAL
2013-05-02
R&D DEPT.

Note:
 * CC Important Dimension To Check.
 * Waterproof Rate: IP67.
 * Cap: Nylon+GF, Black.
 * Gasket: EPDM, Black.
 * Screw is not allowed to tight (Chain be revolve)
 不可將螺絲鎖緊 (鏈條要可旋轉)

UNIT: mm		
TOLERANCE	.X ±0.25	
	.XX ±0.1	
	.XXX ±0.05	
ANGLES	±1°	

TITLE Waterproof Cap For Male Conn. C Size Screw Type			
SCALE 2:1	SIZE A4	SHEET 1 OF 1	
REV. A	WC-REV. A.5	CC : Inspection item	

Amphenol LTW
安費諾亮泰企業股份有限公司

ITEM NO CAP-WACMSPBI	DRAWN BY Vicky	DATE 2013-05-02
DWG NO CAP-WACMSPBI	CHECKED BY Sam	DATE 2013-05-02
CUSTOMER ALTW	APPROVED BY Maslow	DATE 2013-05-02

F
E
D
C
B
A

THIS DOCUMENT IS SUBJECT TO CHANGE WITHOUT NOTICE. IT IS CONFIDENTIAL AND A PROPERTY OF Amphenol LTW. DISCLOSURE TO THIRD PARTY HAS TO BE AUTHORIZED BY Amphenol LTW.