

**Product number C10891_GT3-S**

Family	Gt3	FWHM	14 degrees
Type	Lens array	Efficiency	92 %
LED	XP-E	cd/lm	8.400
Color	Clear	Gerber File	Available
Diameter	35 mm		
Height	9 mm	MR11 applications	
Style	Round		
Optic Material	PMMA		
Holder Material	-		
Fastening	["glue", "pin"]		
Status	Production ready		

**Product number C10892_GT3-M**

Family	Gt3	FWHM	27 degrees
Type	Lens array	Efficiency	91 %
LED	XP-E	cd/lm	2.710
Color	Clear	Gerber File	Available
Diameter	35 mm		
Height	9 mm	MR11 applications	
Style	Round		
Optic Material	PMMA		
Holder Material	-		
Fastening	["pin", "glue"]		
Status	Production ready		

**Product number C10893_GT3-W**

Family	Gt3	FWHM	40 degrees
Type	Lens array	Efficiency	89 %
LED	XP-E	cd/lm	1.600
Color	Clear	Gerber File	Available
Diameter	35 mm		
Height	9 mm	MR11 applications	
Style	Round		
Optic Material	PMMA		
Holder Material	-		
Fastening	["glue", "pin"]		
Status	Production ready		

**Product number C11624_GT3-WW**

Family	Gt3	FWHM	61 degrees
Type	Lens array	Efficiency	90 %
LED	XP-E	cd/lm	0.760
Color	Clear	Gerber File	Available
Diameter	35 mm		
Height	9 mm	MR11 compatible design	
Style	Round		
Optic Material	PMMA		
Holder Material	-		
Fastening	["pin", "glue"]		
Status	Production ready		



PRODUCT DATASHEET

Gt3 series

last update 10/11/2014

NOTE: The typical divergence will be changed by different color, chip size and chip position tolerance. The typical total divergence is the full angle measured where the luminous intensity is half of the peak value.



PRODUCT DATASHEET

Gt3 series

last update 10/11/2014

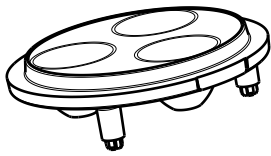
GENERAL INFORMATION

- Product series especially designed & optimized for XP-E series of LEDs.
- Special care taken to make light distribution as uniform as possible.
- Lens material optical grade PMMA with high UV and temperature resistance. Allows use of high current and temperature conditions.

Please find more information about used material from below:

http://ledil.fi/sites/default/files/Documents/Technical/Material/PMMA%20N%20UL94_Yellow%20Card.pdf

<http://ledil.fi/sites/default/files/Documents/Technical/Material/PMMA%20N%20PLEXIGLAS-Datasheet.pdf>

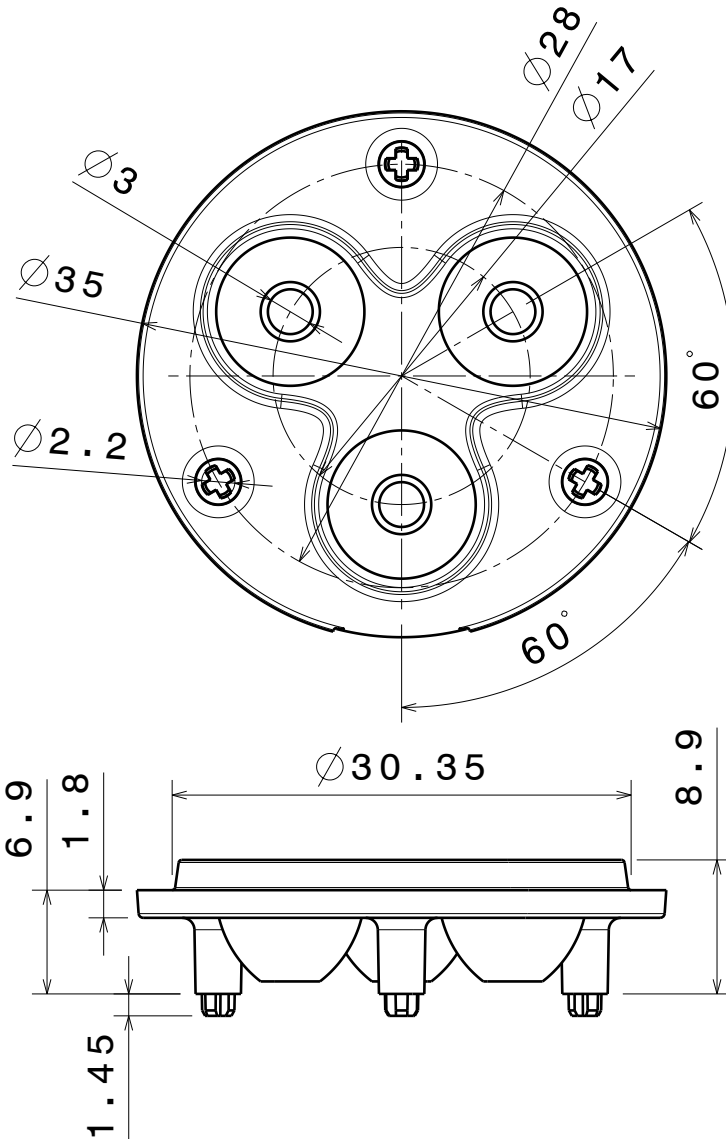


Isometric view
Scale: 1:1

Material: PMMA

Part no.s:

- C10891_GT3-XP-S
- C10891_GT3-XP-G-S
- C10891_GT3-OSL-S
- C10891_GT3-DD-S
- C10891_GT3-RE-ES-M
- C10891_GT3-Z5-S
- C10892_GT3-XP-M
- C10892_GT3-XP-G-M
- C10892_GT3-OSL-M
- C10892_GT3-DD-M
- C10892_GT3-XP-M
- C10892_GT3-Z5-M
- C10893_GT3-XP-W
- C10893_GT3-XP-G-W
- C10893_GT3-OSL-W
- C10893_GT3-DD-W
- C10893_GT3-RE-ES-W
- C11623_GT3-RE-VW
- C11623_GT3-N19-VW
- C11624_GT3-XP-VW
- C11624_GT3-XP-G-VW
- C11624_GT3-OSL-VW
- C11624_GT3-DD-VW
- C11624_GT3-Z5-VW



Bottom view

Front view

This drawing is our property.
It can't be reproduced
or communicated without
our written agreement.



L
T
F
F

e
e
i
i
N
n

DRAWING TITLE

Datasheet GT3-Series Lens

DRAWN BY

DATE

p

08.01.2010

CHECKED BY

DATE

t k

07.01.2010

DESIGNED BY

DATE

hh

07.01.2010

SIZE

DRAWING NUMBER

REV

A4

-

1

SCALE

2:1

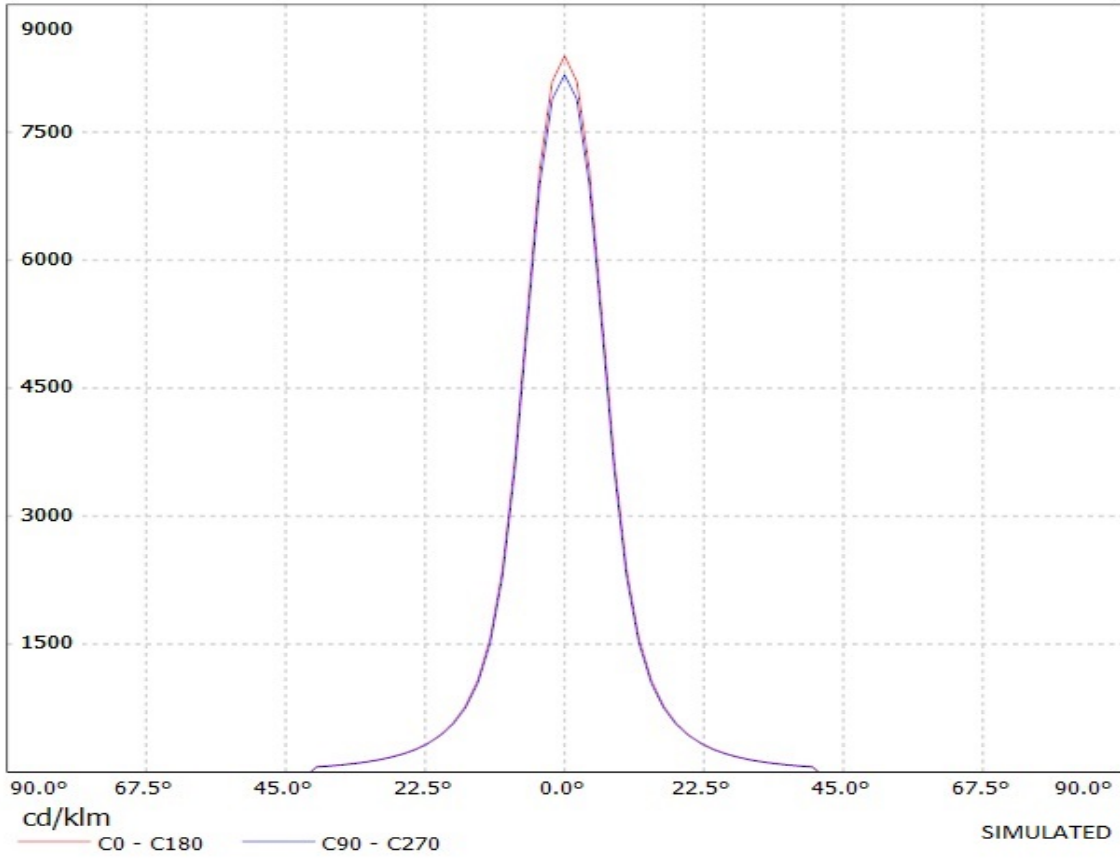
WEIGHT (g)

SHEET

1/1

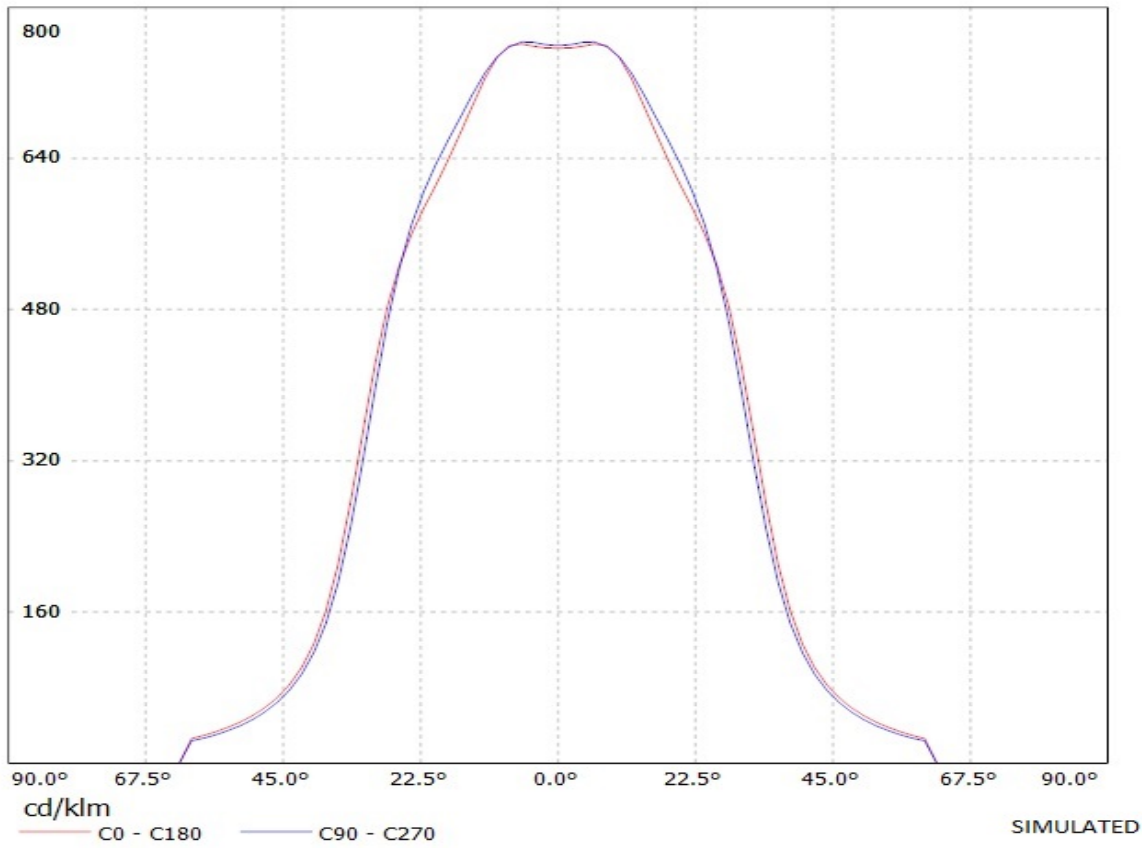
Ledil Oy C10891_GT3-XP-S C10891_GT3-XP-S / LDC (Linear)

Luminaire: Ledil Oy C10891_GT3-XP-S C10891_GT3-XP-S
Lamps: 3 x Cree XP-E (White)



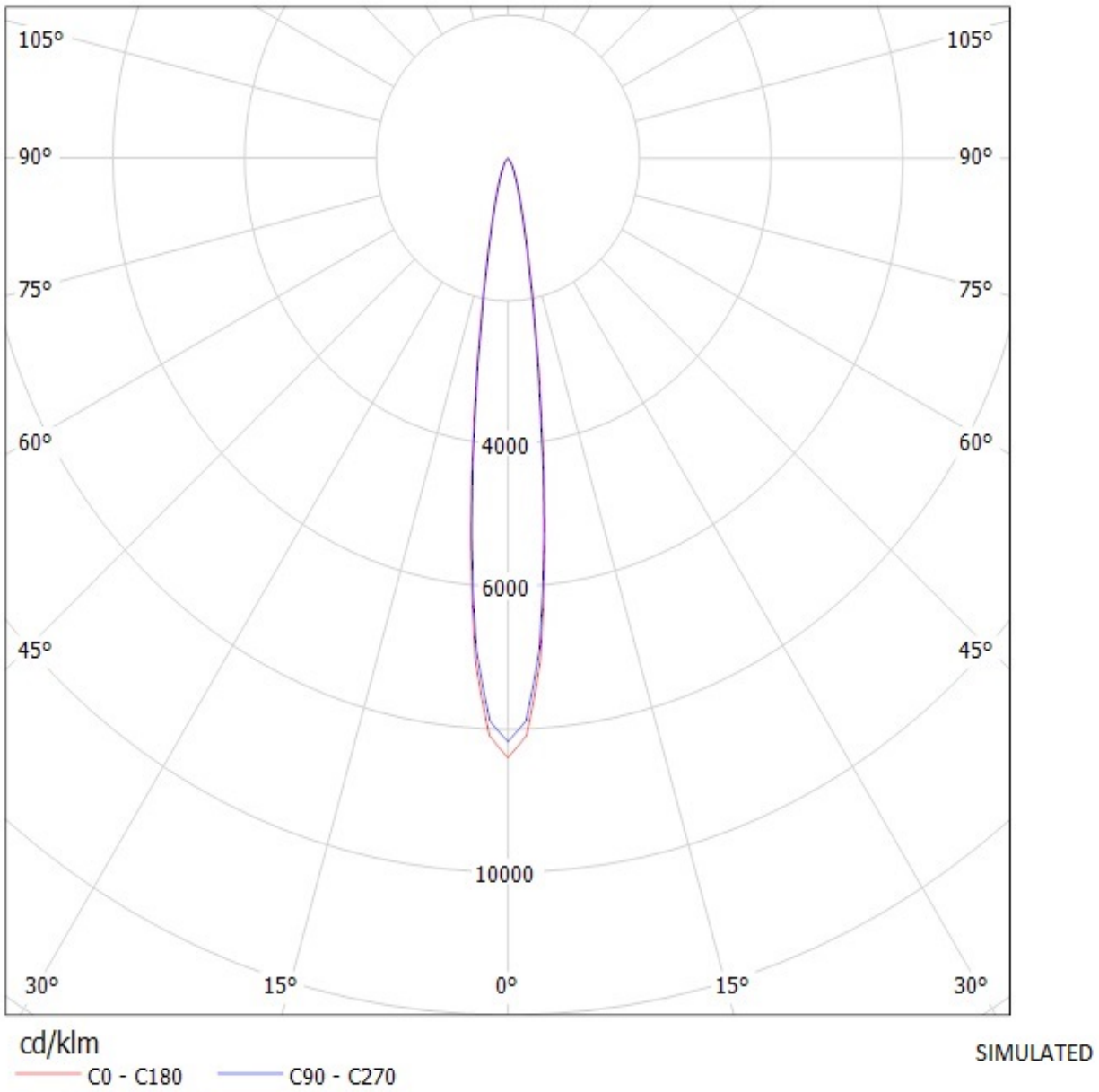
Ledil Oy C11624_GT3-XP-WW C11624_GT3-XP-WW / LDC (Linear)

Luminaire: Ledil Oy C11624_GT3-XP-WW C11624_GT3-XP-WW
Lamps: 1 x Cree XP-E x3 white



Ledil Oy C10891_GT3-XP-S C10891_GT3-XP-S / LDC (Polar)

Luminaire: Ledil Oy C10891_GT3-XP-S C10891_GT3-XP-S
Lamps: 3 x Cree XP-E (White)



Ledil Oy C11624_GT3-XP-WW C11624_GT3-XP-WW / LDC (Polar)

Luminaire: Ledil Oy C11624_GT3-XP-WW C11624_GT3-XP-WW

Lamps: 1 x Cree XP-E x3 white

