

DETAILS

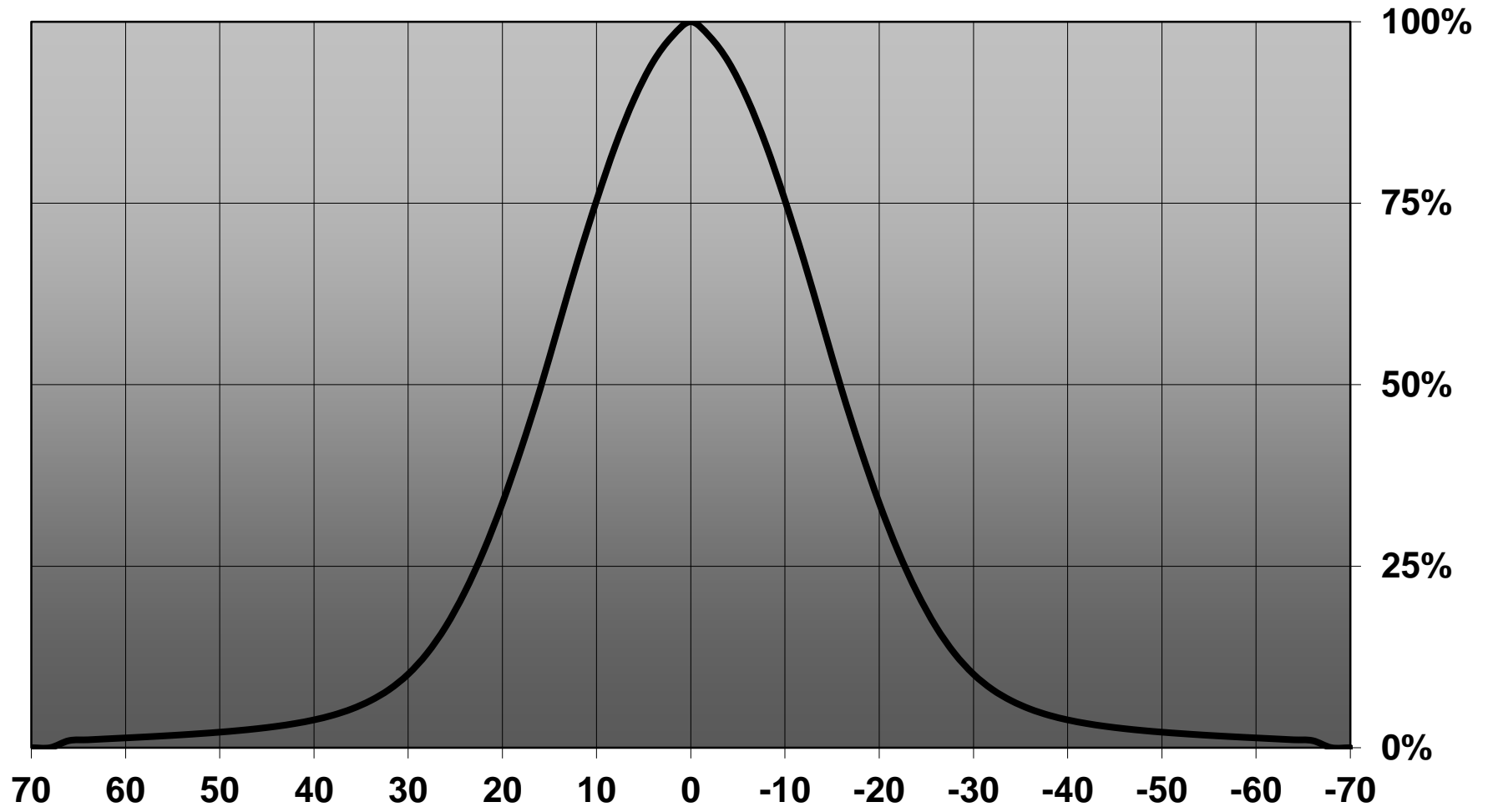
Product Number	C10893_GT3-W
Family	Gt3
Type	Lens array
Color	clear
Diameter	35 mm
Height	9 mm
Style	round
Optic Material	PMMA
Holder Material	
Fastening	glue, pin
Status	production ready
ROHS Compliant	Yes
Date Updated	10/11/2014

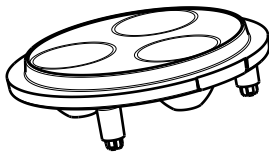


OPTICAL PROPERTIES

LED	Viewing	Light	Efficiency	cd/lm	Connector
	Angle	Beam			
XP-E	40 deg	Wide	89 %	1.600	-
XP-G	46 deg	Wide	86 %	1.290	-
XB-D	32 deg	Wide	92 %	1.800	-
LUXEON Rebel ES	44 deg	Wide	85 %	-	-
LUXEON Rebel	38 deg	Wide	85 %	-	-
LUXEON A	44 deg	Wide	-	-	-
NCSxx19A	40 deg	Wide	86 %	-	-
NVSxx19A	44 deg	Wide	86 %	-	-
Oslon SSL 80	36 deg	Wide	89 %	-	-
Oslon SSL 150	40 deg	Wide	88 %	-	-
Oslon Square EC	36 deg	Wide	89 %	1.820	-
Z5	40 deg	Wide	-	-	-

Relative intensity of C10893_GT3-W-XBD



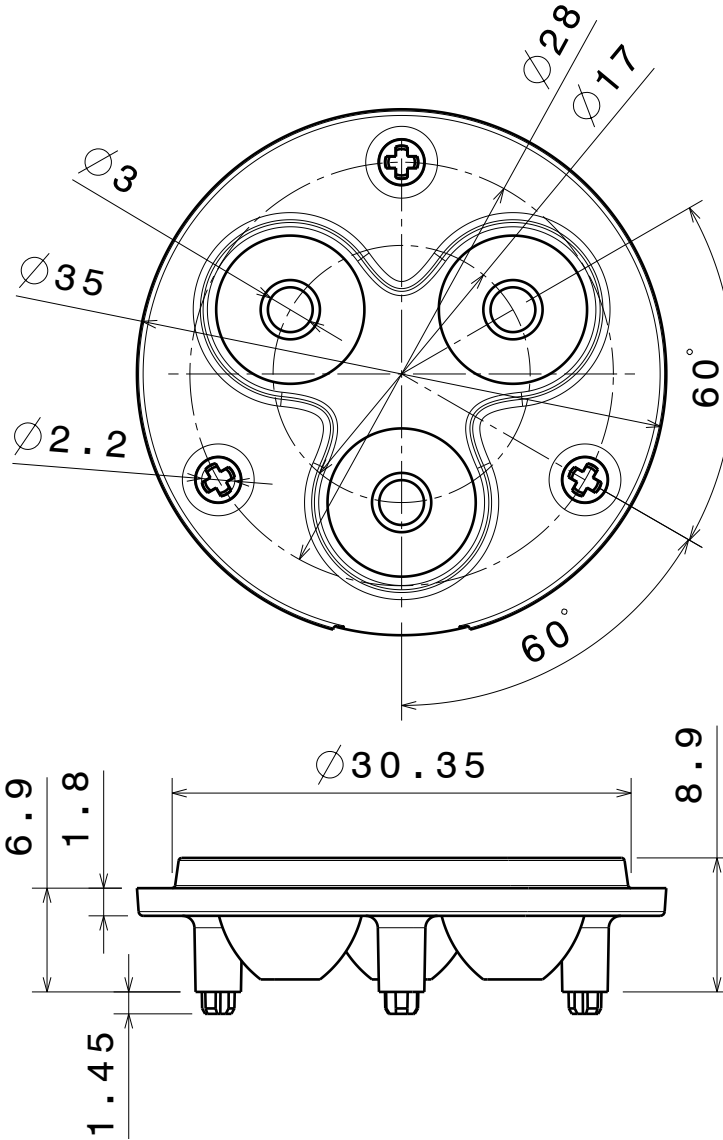


Isometric view
Scale: 1:1

Material: PMMA

Part no.s:

- C10891_GT3-XP-S
- C10891_GT3-XP-G-S
- C10891_GT3-OSL-S
- C10891_GT3-DD-S
- C10891_GT3-RE-ES-M
- C10891_GT3-Z5-S
- C10892_GT3-XP-M
- C10892_GT3-XP-G-M
- C10892_GT3-OSL-M
- C10892_GT3-DD-M
- C10892_GT3-XP-M
- C10892_GT3-Z5-M
- C10893_GT3-XP-W
- C10893_GT3-XP-G-W
- C10893_GT3-OSL-W
- C10893_GT3-DD-W
- C10893_GT3-RE-ES-W
- C11623_GT3-RE-VW
- C11623_GT3-N19-VW
- C11624_GT3-XP-VW
- C11624_GT3-XP-G-VW
- C11624_GT3-OSL-VW
- C11624_GT3-DD-VW
- C11624_GT3-Z5-VW



Bottom view

Front view

This drawing is our property.
It can't be reproduced
or communicated without
our written agreement.



L
T
F
F

e
e
i
i
N
n

d

DRAWING TITLE

Datasheet GT3-Series Lens

DRAWN BY
p

DATE
08.01.2010

CHECKED BY
t k

DATE
07.01.2010

DESIGNED BY
hh

DATE
07.01.2010

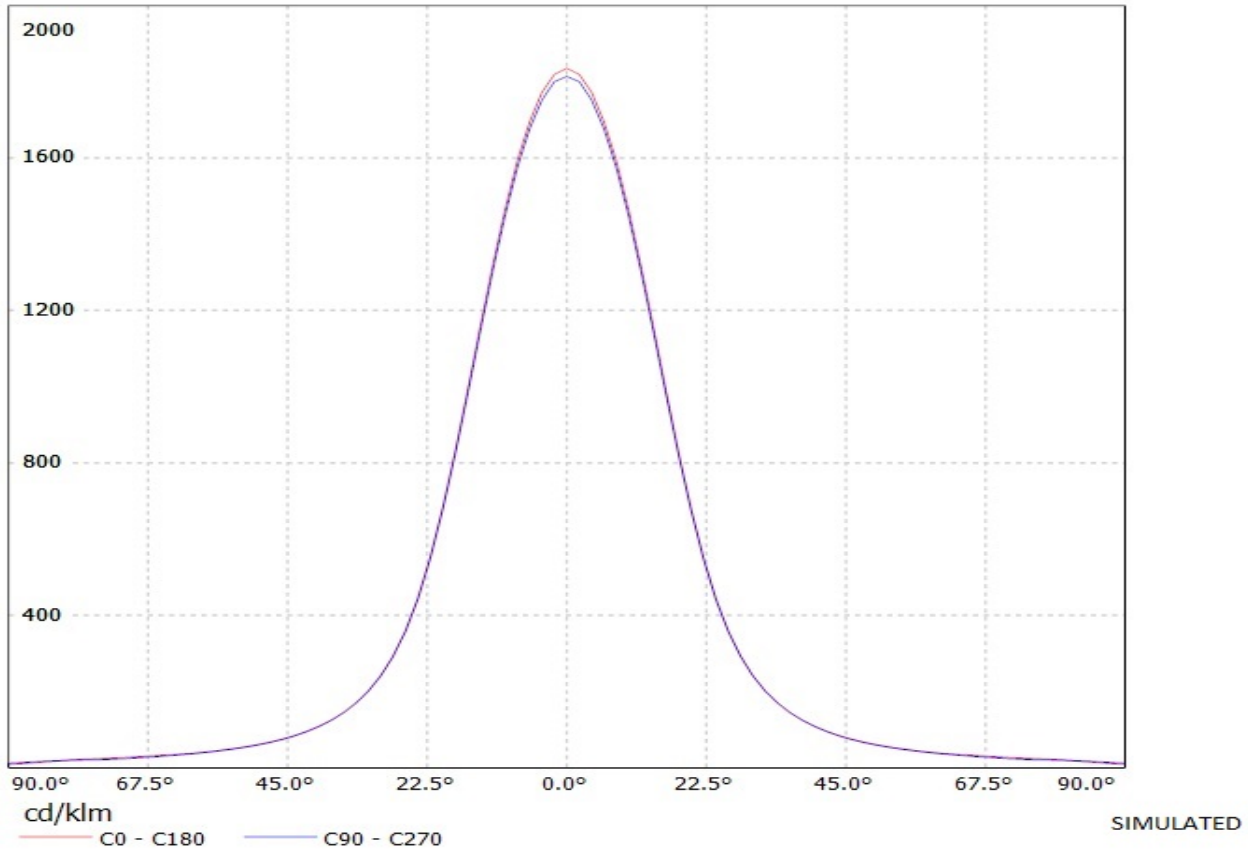
SIZE A4	DRAWING NUMBER -	REV 1
SCALE 2:1	WEIGHT (g)	SHEET 1/1

D

A

Ledil Oy C10892_GT3-XP-G-M C10892_GT3-XP-G-M / LDC (Linear)

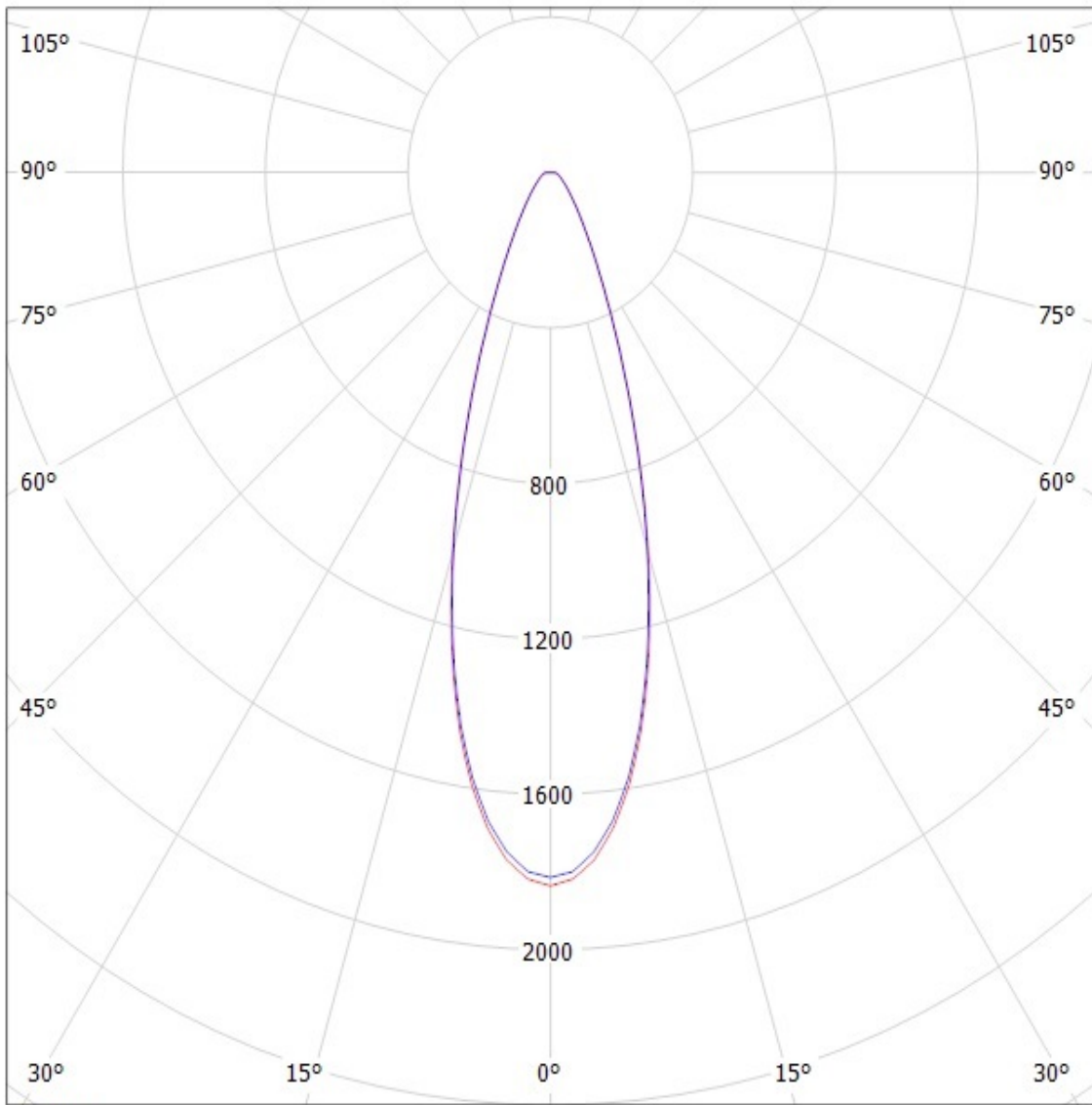
Luminaire: Ledil Oy C10892_GT3-XP-G-M C10892_GT3-XP-G-M
Lamps: 3 x Cree XP-G (White)



Ledil Oy C10892_GT3-XP-G-M C10892_GT3-XP-G-M / LDC (Polar)

Luminaire: Ledil Oy C10892_GT3-XP-G-M C10892_GT3-XP-G-M

Lamps: 3 x Cree XP-G (White)



cd/klm

— C0 - C180

— C90 - C270

SIMULATED

NOTE: The typical divergence will be changed by different color, chip size and chip position tolerance. The typical total divergence is the full angle measured where the luminous intensity is half of the peak value.