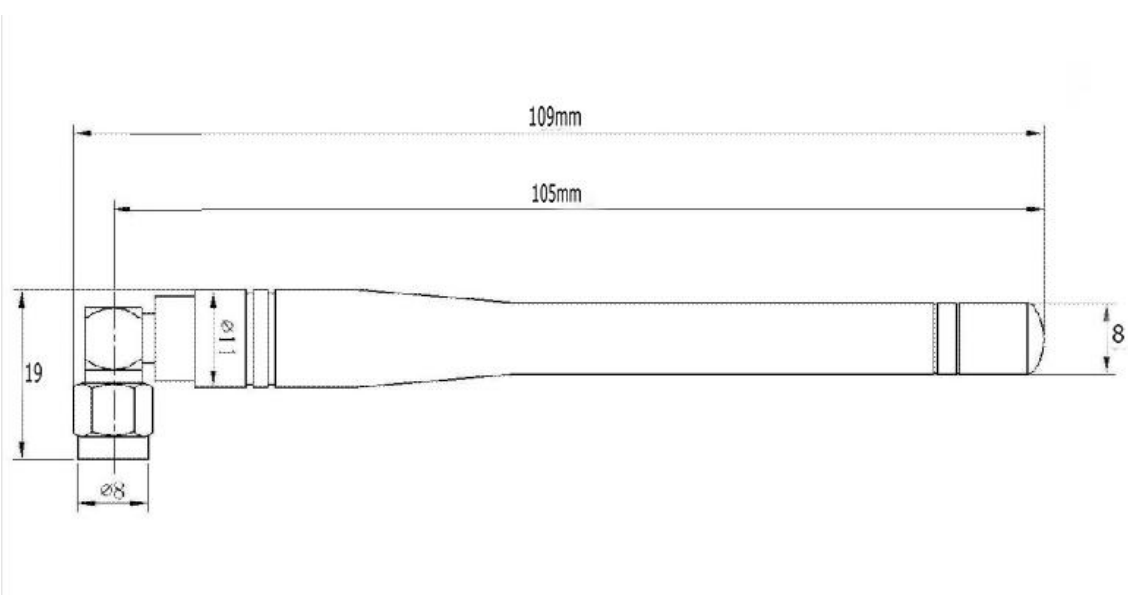


# SPECIFICATION

## 1、 PRODUCT PICTURE



## 2、SPECIFICATIONS

Item	Specifications	
Model Number	RF-ANT02R-TFF3-868	
Antenna	Frequency Range	868MHz
	Polarization	Linear
	Gain	2dBi (Zenith)
	V.S.W.R (min)	<2.5
	Impedance	50 $\Omega$
	Connector	SMA R/A Male
Environmental	Operating Temperature	-40°C~+85°C
	Vibration	10 to 55Hz with 1.5mm amplitude 2hours
	Environmentally Friendly	ROHS Compliant

## 3. STATIONARY WAVE PATTERN (V.S.W.R)

