



# PRODUCT DATASHEET

## Minnie series

last update 25/6/2014

### DETAILS

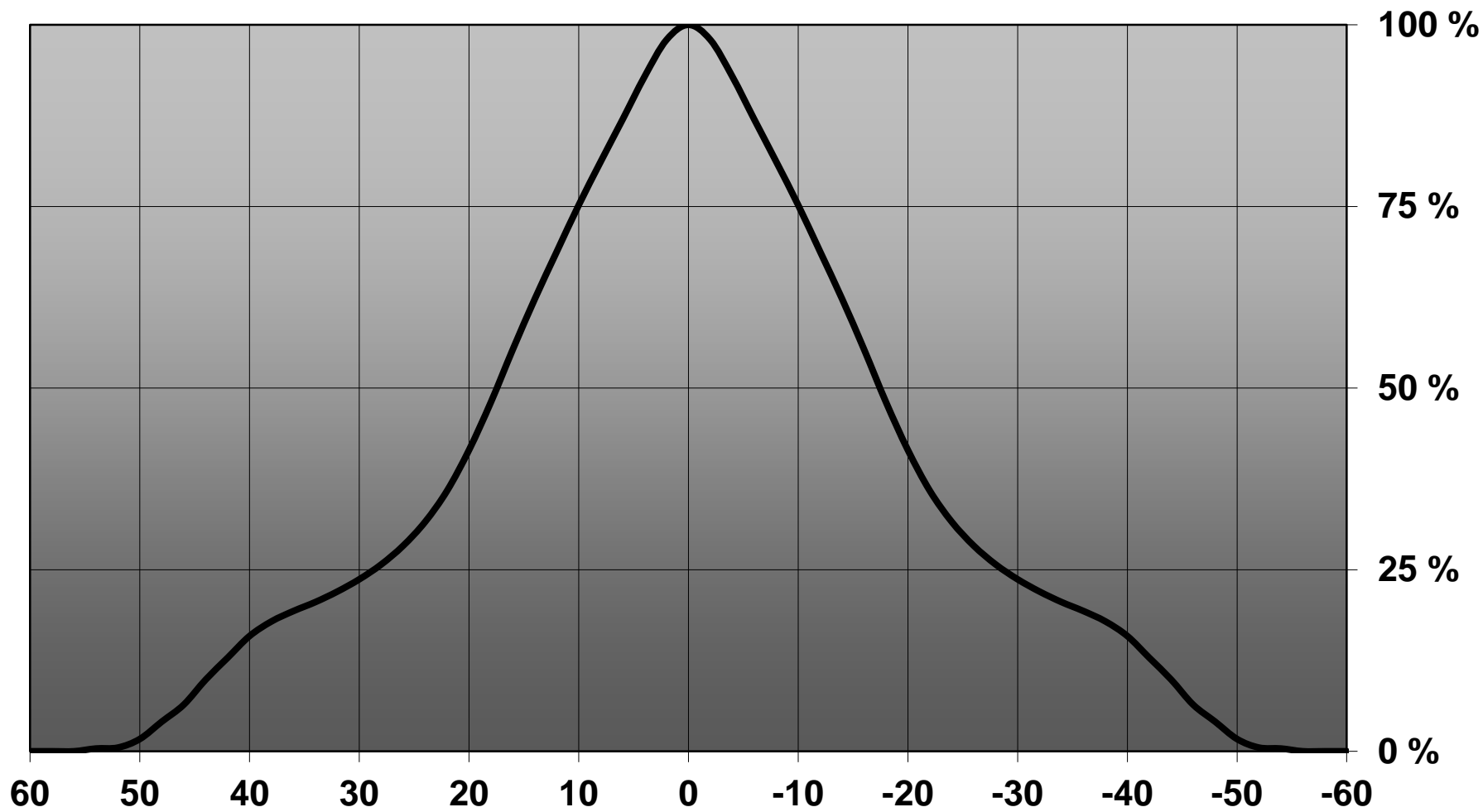
|                        |                  |
|------------------------|------------------|
| <b>Product Number</b>  | CA12096_MINNIE-W |
| <b>Family</b>          | Minnie           |
| <b>Type</b>            | RefAssy          |
| <b>Color</b>           | black            |
| <b>Diameter</b>        | 35 mm            |
| <b>Height</b>          | 15,8 mm          |
| <b>Style</b>           | round            |
| <b>Optic Material</b>  |                  |
| <b>Holder Material</b> |                  |
| <b>Fastening</b>       | tape             |
| <b>Status</b>          | production ready |
| <b>ROHS Compliant</b>  | Yes              |
| <b>Date Updated</b>    | 25/06/2014       |



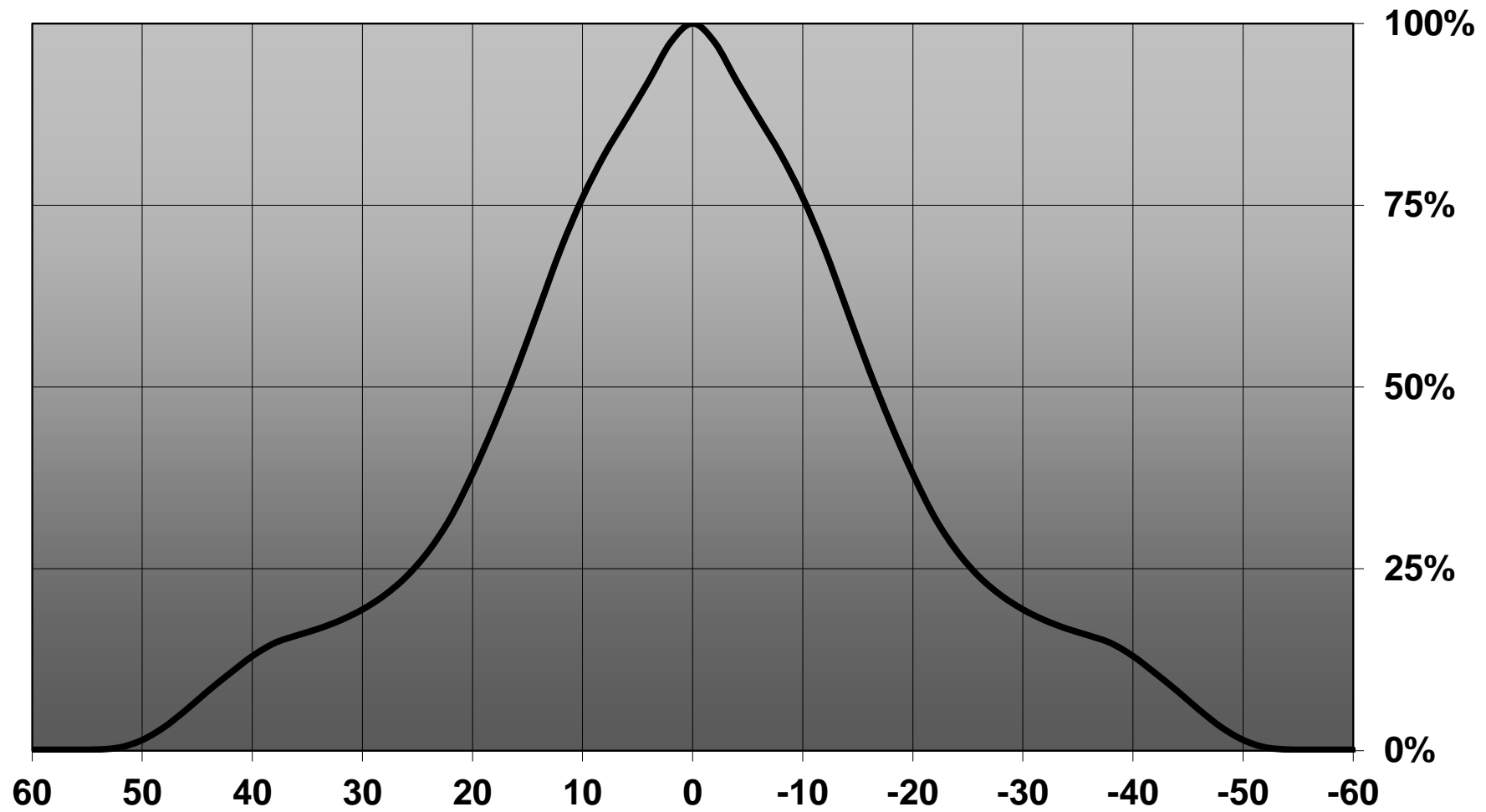
### OPTICAL PROPERTIES

| LED    | Viewing Angle | Light Beam | Efficiency | cd/lm | Connector |
|--------|---------------|------------|------------|-------|-----------|
| MT-G   | 36 deg        | Wide       | -          | -     | -         |
| MT-G2  | 33 deg        | Wide       | 89 %       | -     | -         |
| SSM-80 | 33 deg        | Wide       | 92 %       | -     | -         |

# Relative intensity of Minnie-W-MTG



Relative intensity of CA12096\_MINNIE-W (MT-G Gen II)



D

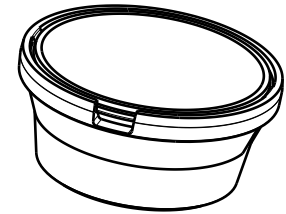
C

B

A

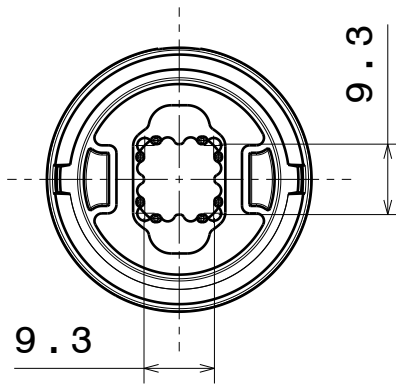
4

4



Isometric view

Bottom view



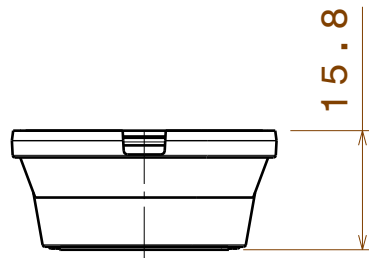
9.3

9.3

3

3

Front view

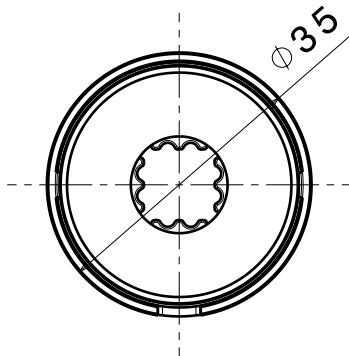


15.8

2

2

Top view



Ø35

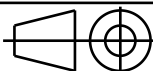
| INDEX | PART NO | DESCRIPTION         | MATERIAL                         | COLOUR |
|-------|---------|---------------------|----------------------------------|--------|
| 1     | -       | MINNIE_MTG_ASSEMBLY | Ref1 and holder PC, Tape PU foam |        |

Tolerances if not otherwise shown  
According to DIN ISO 2768-1  
Linear measures:  
Up to 30mm class M, otherwise class C.  
According to DIN ISO 2768-2  
Form and position: class L

LEDiL

Ledil Oy  
Salorankatu 10  
FIN 24240 SALO  
Finland

THIRD ANGLE PROJECTION:



DRAWING TITLE

MINNIE\_MTG\_ASSEMBLY

This drawing is the property  
of LEDiL Oy. It may not be  
reproduced, copied or  
communicated without a written  
agreement with LEDiL Oy."

SIZE PART NUMBER

A4

-

SCALE 1:1 WEIGHT

-

SHEET 1/1

D

A

1

**NOTE: The typical divergence will be changed by different color, chip size and chip position tolerance. The typical total divergence is the full angle measured where the luminous intensity is half of the peak value.**