

Industrial Nano USB



Features

- -40°~85°C operation
- Excellent data transfer speed
- Intelligent system for error recovery
- Enhanced power cycling
- ESD proof
- i-S.M.A.R.T utility for health monitor

R: 19MB
W: 17MB

USB 2.0

ECC &
Wear Leveling

-40°~85 °C
operation

ESD Proof

i-S.M.A.R.T
Utility

Specifications

Connector Type	Type A
Flash Type	SLC
Density	1GB~8GB
Interface	USB 2.0
Sequential R/W Performance, Max, MB/sec	4GB/8GB: 19/17 2GB: 18/15 1GB: 18/13
ESD Proof	Air Discharge: 15KV Contact Discharge: 8KV

Environmental

DC Input	5V DC \pm 5%
Power consumption (Max.)	Read: 90mA Write: 90mA Idle: 60mA
Operating Temperature	0°C~+70°C (Standard Grade) -40°C~+85°C (Industrial Grade)
Storage Temperature	-55°C~+95°C
Humidity	Relative Humidity: 10-95%, non-condensing
Flash Endurance	100,000 program/erase cycles
MTBF	> 3,000,000 hours
Certification	CE, FCC, RoHS
Warranty	5years

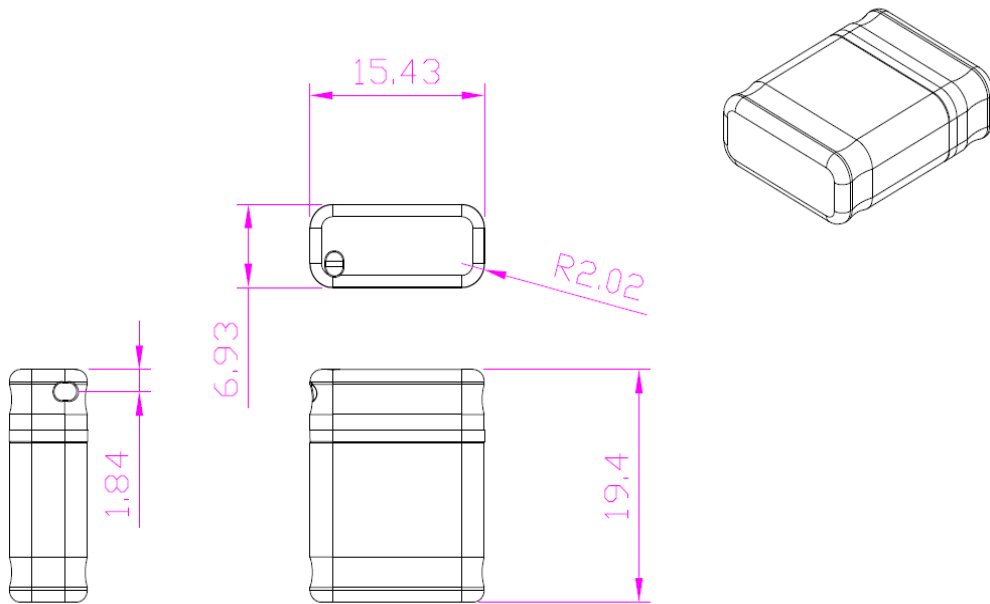
Mechanicals

Dimension (W x L x H)	15.4 x 19.4 x 6.9 (\pm 0.2mm)
Weight	2.6g
Vibration	7 Hz to 2K Hz, 5G , 3 axes
Shock	Duration: 0.5ms, 50G, 3 axes

Ordering Information

Capacity	Standard Grade	Industrial Grade
1GB	DEUN- <u>01GS23AC</u> 1SB	DEUN- <u>01GS23AW</u> 1SB
2GB	DEUN- <u>02GS23AC</u> 1ST	DEUN- <u>02GS23AW</u> 1ST
4GB	DEUN- <u>04GS23AC</u> 1ST	DEUN- <u>04GS23AW</u> 1ST
8GB	DEUN- <u>08GS23AC</u> 1ST	DEUN- <u>08GS23AW</u> 1ST

Mechanical Dimension



Industrial Nano USB mechanical dimensions

(* Tolerance is $\pm 0.2\text{mm}$)

i-S.M.A.R.T Utility

