



# PRODUCT DATASHEET

## Cute series

last update 7/3/2016

### DETAILS

<b>Product Number</b>	C10813_CUTE-4-W
<b>Family</b>	Cute
<b>Type</b>	Lens array
<b>Color</b>	clear
<b>Diameter</b>	35 mm
<b>Height</b>	15 mm
<b>Style</b>	round
<b>Optic Material</b>	PMMA
<b>Holder Material</b>	
<b>Fastening</b>	pin, glue
<b>Status</b>	production ready
<b>ROHS Compliant</b>	Yes
<b>Date Updated</b>	7/03/2016



### OPTICAL PROPERTIES

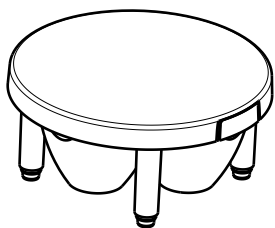
LED	Viewing Angle	Light Beam	Efficiency	cd/lm	Connector
MX-6	38 deg	Wide	-	-	-
MX-3	38 deg	Wide	-	-	-
NS3x83	38 deg	Wide	-	-	-

D

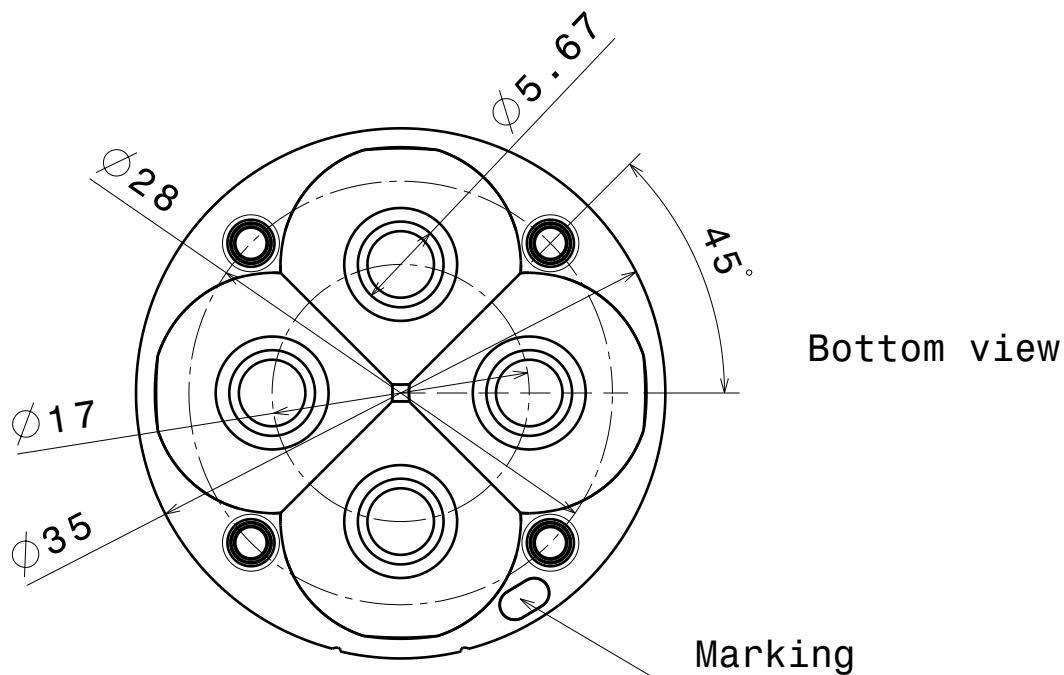
C

B

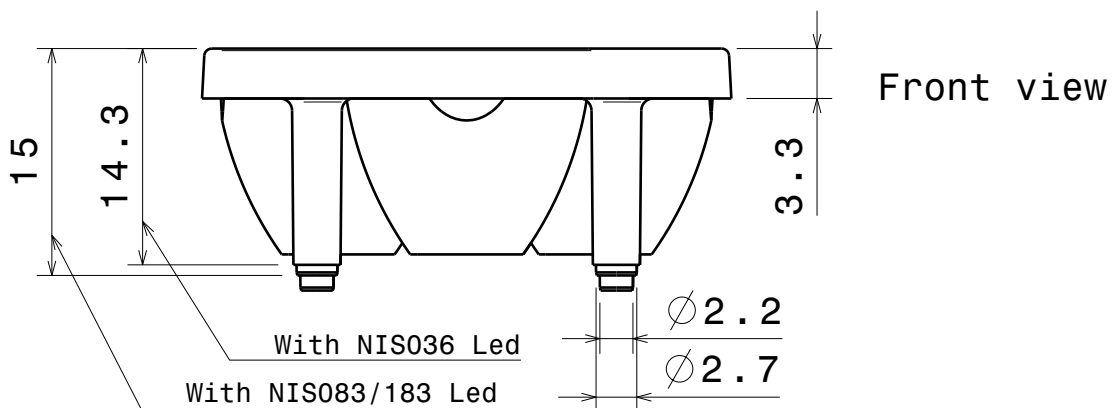
A



Isometric view  
Scale: 1:1



Bottom view



Front view

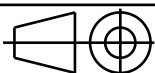
INDEX	PART NO	DESCRIPTION	MATERIAL	COLOUR
1	CUTE-4-W	CUTE-4-W	PMMA	

Tolerances if not otherwise shown  
According to DIN ISO 2768-1  
Linear measures:  
Up to 30mm class M, otherwise class C.  
According to DIN ISO 2768-2  
Form and position: class L

**LEDiL**

Ledil Oy  
Salorankatu 10  
FIN 24240 SALO  
Finland

THIRD ANGLE PROJECTION:



DRAWING TITLE

C10813\_CUTE-4-W

This drawing is the property  
of LEDiL Oy. It may not be  
reproduced, copied or  
communicated without a written  
agreement with LEDiL Oy.

SIZE PART NUMBER

A4

C10813

SCALE 1:1 WEIGHT 8.6 g SHEET 1/1

D

A

**NOTE: The typical divergence will be changed by different color, chip size and chip position tolerance. The typical total divergence is the full angle measured where the luminous intensity is half of the peak value.**