



# PRODUCT DATASHEET

## Tyra series

last update 19/2/2016

### DETAILS

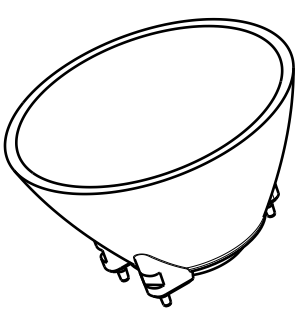
<b>Product Number</b>	C11396_TYRA-W
<b>Family</b>	Tyra
<b>Type</b>	Reflector
<b>Color</b>	metal
<b>Diameter</b>	40 mm
<b>Height</b>	23,1 mm
<b>Style</b>	round
<b>Optic Material</b>	PC
<b>Holder Material</b>	
<b>Fastening</b>	socket
<b>Status</b>	production ready
<b>ROHS Compliant</b>	Yes
<b>Date Updated</b>	19/02/2016



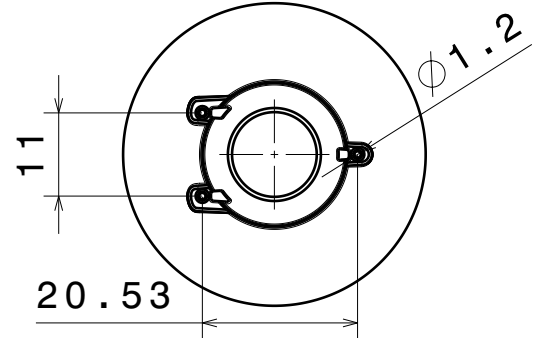
### OPTICAL PROPERTIES

LED	Viewing Angle	Light Beam	Efficiency	cd/lm	Connector
MP-L	52 deg	Wide	-	-	-

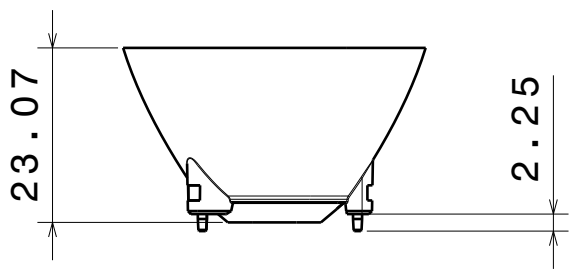
D C B A



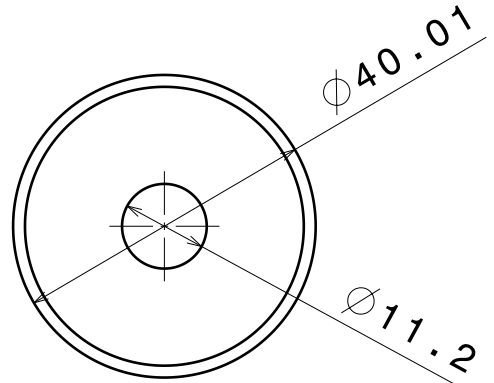
Isometric view  
Scale: 1:1



Bottom view  
Scale: 1:1



Front view  
Scale: 1:1

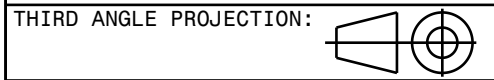


Top view  
Scale: 1:1

INDEX	DESCRIPTION	MATERIAL	COLOUR
1	Tyra series	PC	metal

Tolerances if not otherwise shown  
According to DIN ISO 2768-1  
Linear measures:  
up to 30mm class M, otherwise class C  
According to DIN ISO 2768-2  
Form and position: class L

**LEDiL** Ledil Oy  
Salorankatu 10  
FIN 24240 SALO  
Finland



DRAWING TITLE  
**Tyra series datasheet**

This drawing is the property of LEDiL Oy. It may not be reproduced, copied or communicated without a written agreement with LEDiL Oy.

SIZE	PART NUMBER
A4	-

SCALE	1:1	WEIGHT	-	SHEET	1/1
-------	-----	--------	---	-------	-----

4

4

3

3

2

2

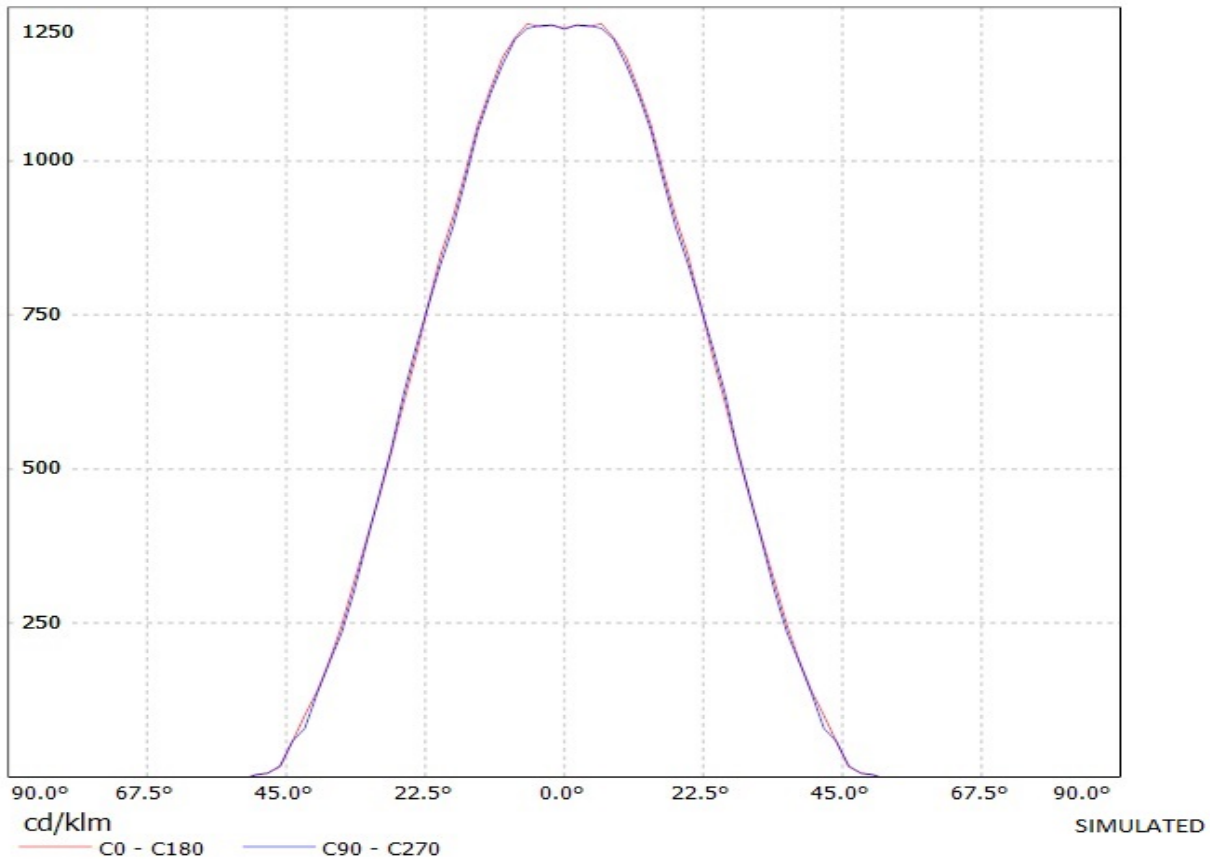
1

1

D A

# Ledil Oy C11396\_Tyra-W C11396\_Tyra-W / LDC (Linear)

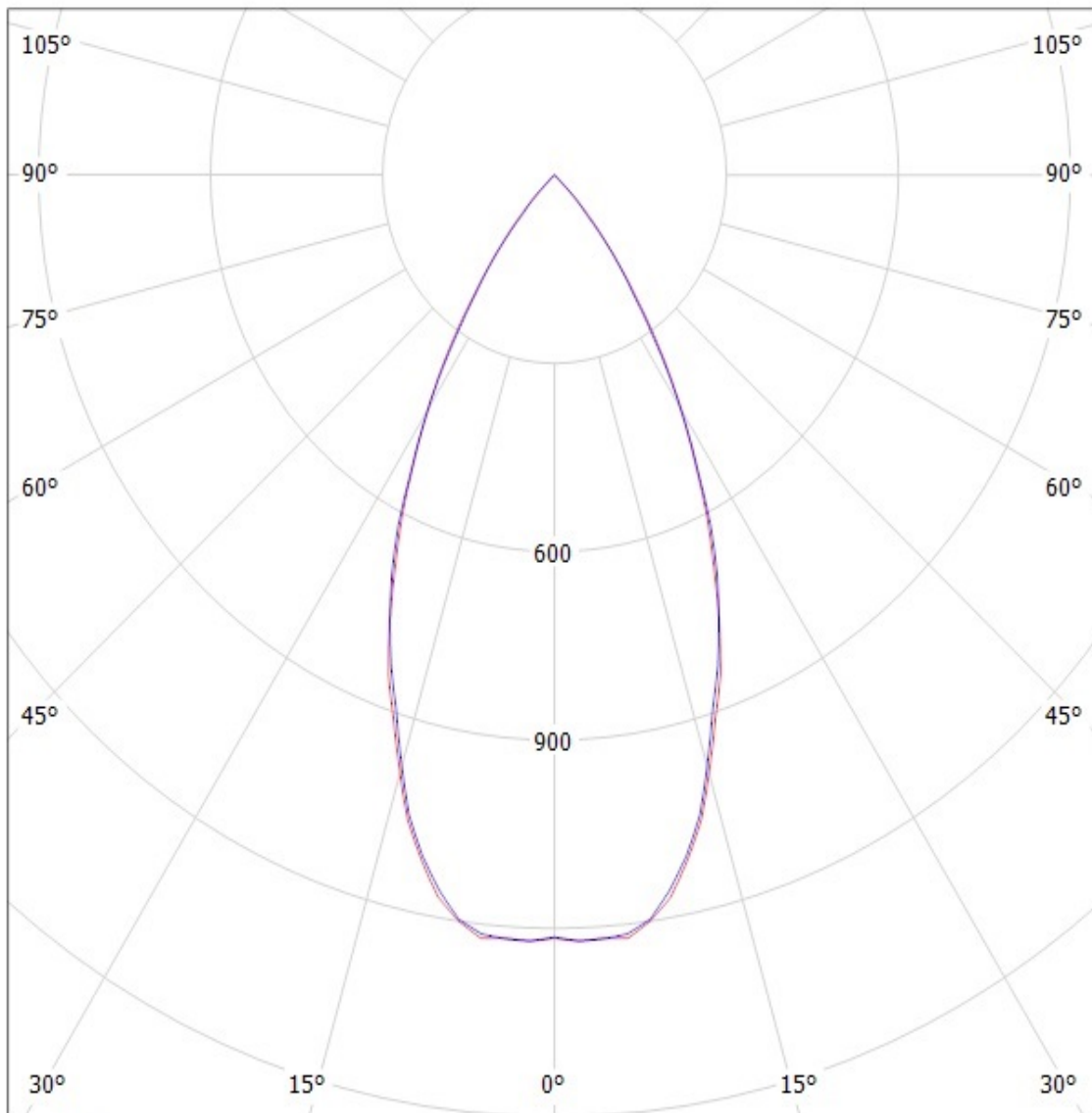
Luminaire: Ledil Oy C11396\_Tyra-W C11396\_Tyra-W  
Lamps: 1 x Cree MPL (White)



# Ledil Oy C11396\_Tyra-W C11396\_Tyra-W / LDC (Polar)

Luminaire: Ledil Oy C11396\_Tyra-W C11396\_Tyra-W

Lamps: 1 x Cree MPL (White)



cd/klm

— C0 - C180

— C90 - C270

SIMULATED

**NOTE: The typical divergence will be changed by different color, chip size and chip position tolerance. The typical total divergence is the full angle measured where the luminous intensity is half of the peak value.**