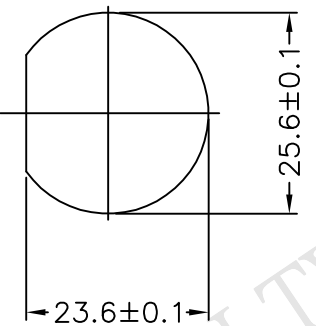
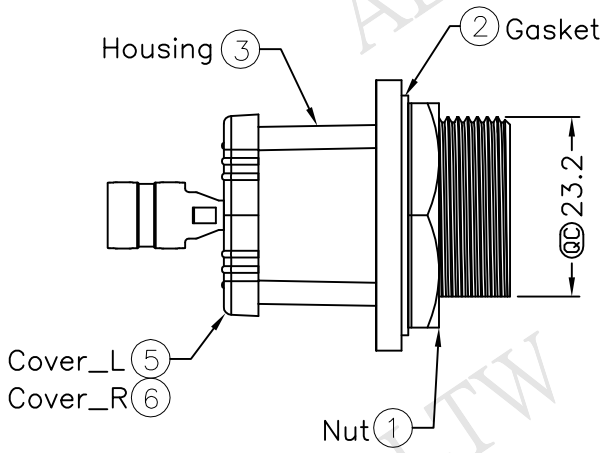
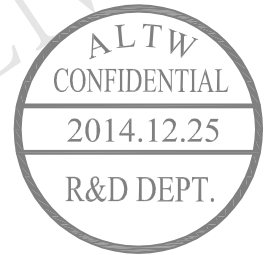
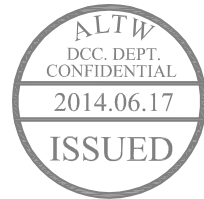
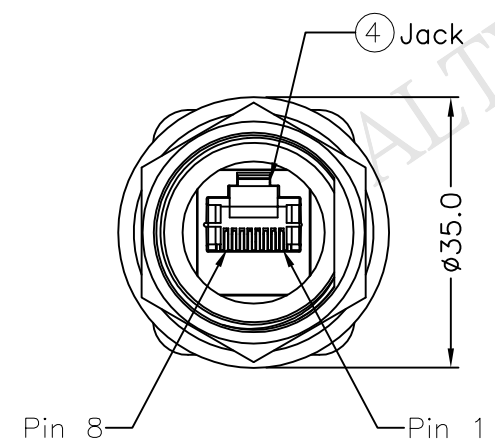
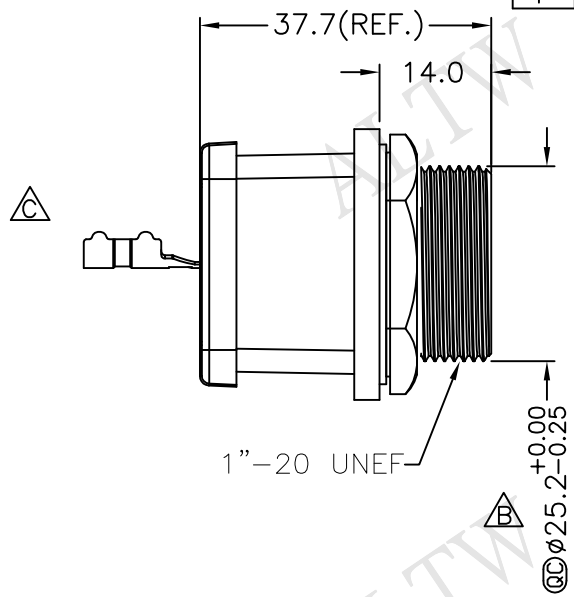


REV.	ECN NO.	DATE	SIGN	DESCRIPTION
D	LE3-910009	2008/12/24	TOMMY	CHANGE THE Package
E	LE31450249	2014/05/23	Mafei	Change The Keystone Jack
F	LEN1510181	2014/12/25	Mafei	Updated The Cover



Recommended Panel Cut-Out

- Note:
- \* @C Important Dimension.
  - \* Waterproof Rate: IP67
  - \* Connector Housing: Silver,Zinc
  - \* Gasket: Black,EPDM,
  - \* For Panel Thickness Max 4.0mm

UNIT:mm	
TOLERANCE	
.X	±0.25
.XX	±0.1
.XXX	±0.05
ANGLES	±1°

TITLE		RJ45 Panel Screw 5E F Conn F Pin	
SCALE	Free	SHEET	1 OF 4
REV.	F	SIZE	A4
		QC :Inspection Item	

**Amphenol LTW**  
安費諾亮泰企業股份有限公司

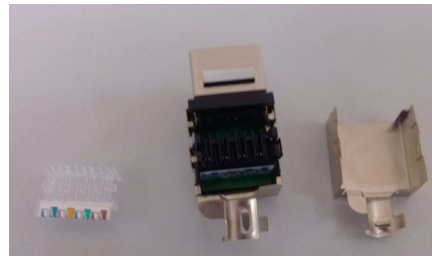
ITEM NO	RJS-5EPFFD-SC7001
DWG NO	RJS-5EPFFD-SC7001
CUSTOMER	ALTW

DRAWN BY	Mafei
CHECKED BY	Arthur
APPROVED BY	Jerry

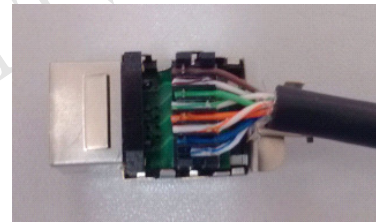
DATE	2014/12/25
DATE	2014/12/25
DATE	2014/12/25

THIS DOCUMENT IS SUBJECT TO CHANGE WITHOUT NOTICE. IT IS CONFIDENTIAL AND A PROPERTY OF Amphenol LTW. DISCLOSURE TO THIRD PARTY HAS TO BE AUTHORIZED BY Amphenol LTW.

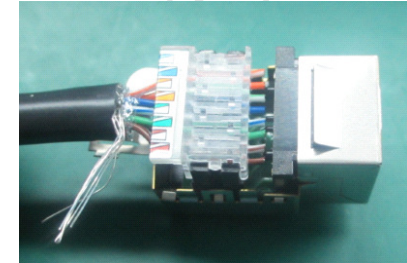
組裝方式 Assembly Instruction



Parts 零件



步驟一 . 將CJA00010077依線位壓線  
(Step1.According T568A or T568B to Crimp The Lines to Connector Body)



步驟二 . 裝 Cover  
(Step2.Insert The Body Cover)



步驟三 . 裝上鐵殼  
(Step3.Insert The Top Shield to Lock The Bottom Shield)

步驟四 . 將線用束線帶固定於夾線端，地線壓於線下方



(Step4.Using the cable tie to fix the cable and bottom shield, The Drain through between shield and cable)

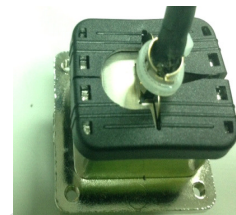


步驟五 . 將其裝入鐵膠芯

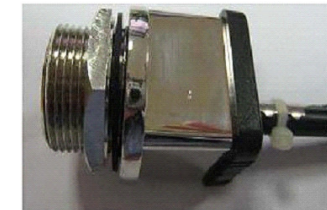
(Step5.After Assemble, Insert The Part into the Metal Housing)



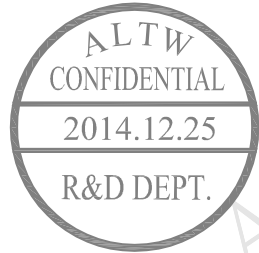
步驟六 . 裝后擋塊右側  
(Step6.Assemble The Right Cover)



步驟七 . 裝后擋塊左側  
(Step7.Assemble The Left Cover)



步驟八 . 組裝完成  
(Step8.Finished)



UNIT:mm	
TOLERANCE	
.X	±0.25
.XX	±0.1
.XXX	±0.05
ANGLES	±1°

TITLE		RJ45 Panel Screw 5E F Conn F Pin	
SCALE	Free	SHEET	2 OF 4
REV.	F	SIZE	A4
		QC :Inspection Item	

**Amphenol LTW**

安費諾亮泰企業股份有限公司

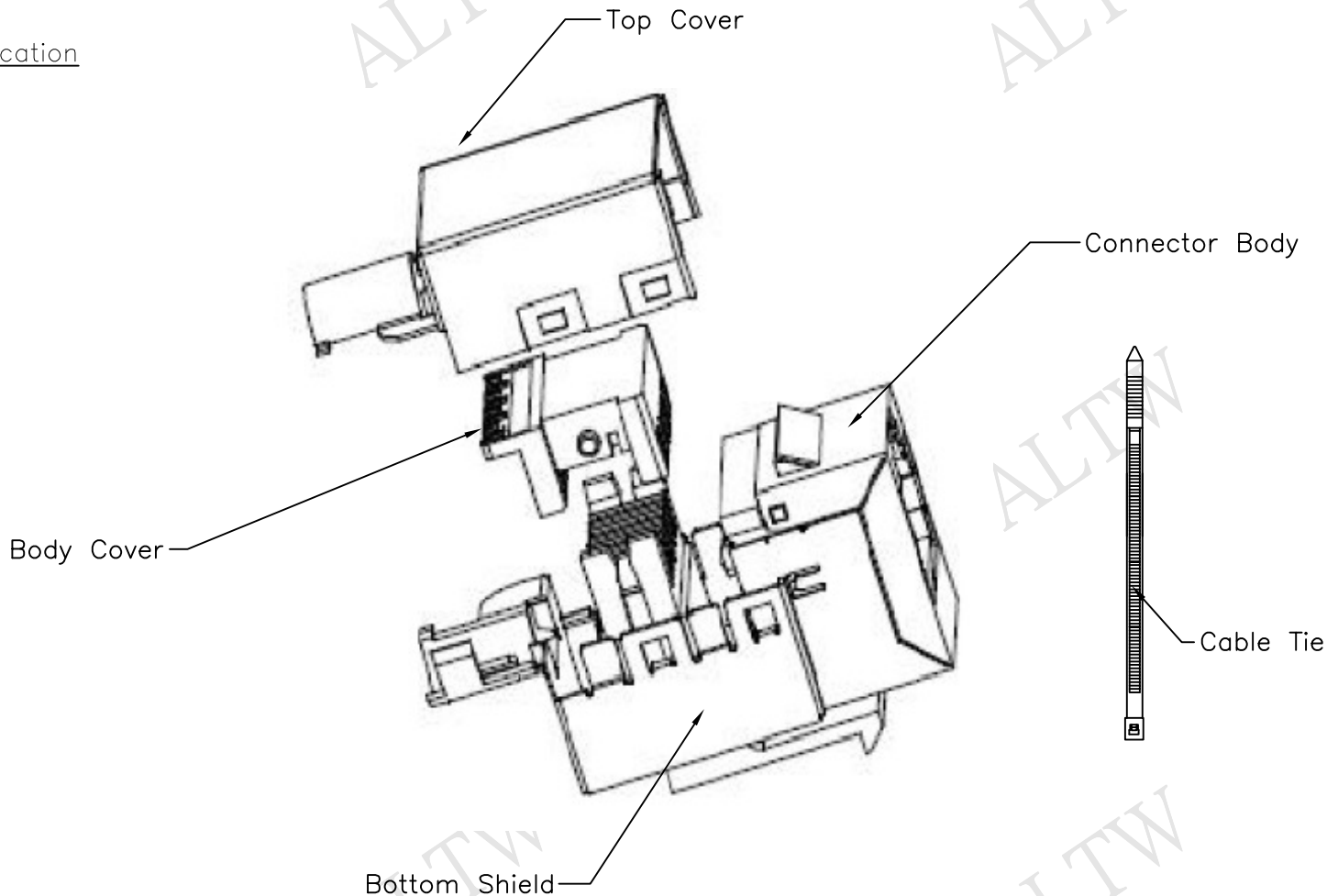
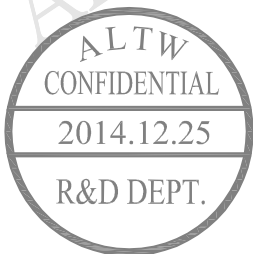
ITEM NO	RJS-5EPFFD-SC7001
DWG NO	RJS-5EPFFD-SC7001
CUSTOMER	ALTW

DRAWN BY	Mafei	DATE	2014/12/25
CHECKED BY	Arthur	DATE	2014/12/25
APPROVED BY	Jerry	DATE	2014/12/25

THIS DOCUMENT IS SUBJECT TO CHANGE WITHOUT NOTICE. IT IS CONFIDENTIAL AND A PROPERTY OF Amphenol LTW. DISCLOSURE TO THIRD PARTY HAS TO BE AUTHORIZED BY Amphenol LTW.



Jack 拆解圖 Jack Identification



UNIT:mm	
TOLERANCE	
.X	±0.25
.XX	±0.1
.XXX	±0.05
ANGLES	±1°

TITLE		RJ45 Panel Screw 5E F Conn F Pin	
SCALE	Free	SHEET	3 OF 4
REV.	F	SIZE	A4
		QC :Inspection Item	

# Amphenol LTW

安費諾亮泰企業股份有限公司

ITEM NO	RJS-5EPFFD-SC7001
DWG NO	RJS-5EPFFD-SC7001
CUSTOMER	ALTW


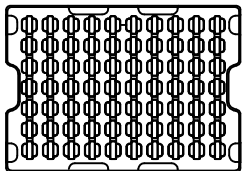
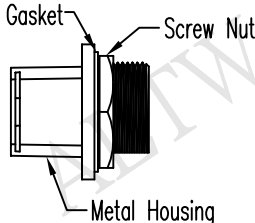
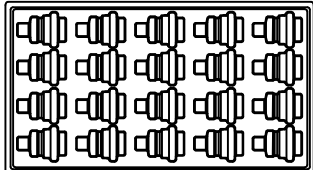
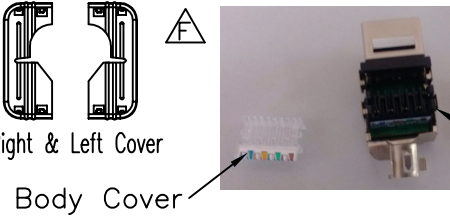


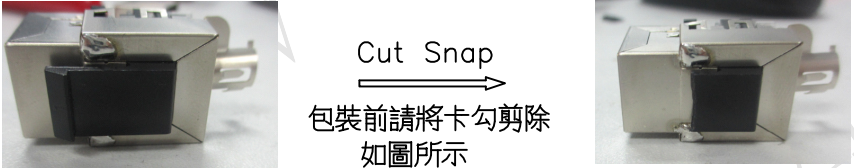
DRAWN BY	Mafei
CHECKED BY	Arthur
APPROVED BY	Jerry

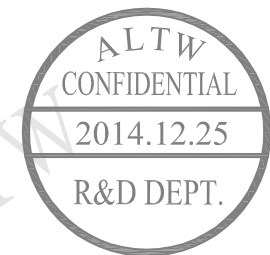
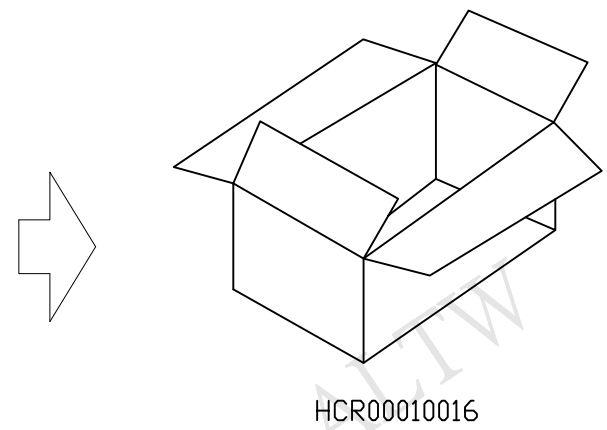
DATE	2014/12/25
DATE	2014/12/25
DATE	2014/12/25

THIS DOCUMENT IS SUBJECT TO CHANGE WITHOUT NOTICE. IT IS CONFIDENTIAL AND A PROPERTY OF Amphenol LTW. DISCLOSURE TO THIRD PARTY HAS TO BE AUTHORIZED BY Amphenol LTW.

THIS DOCUMENT IS SUBJECT TO CHANGE WITHOUT NOTICE. IT IS CONFIDENTIAL AND A PROPERTY OF Amphenol LTW. DISCLOSURE TO THIRD PARTY HAS TO BE AUTHORIZED BY Amphenol LTW.

包裝方式 Method of Package △

*60pcs	 Top shield		*1
*20pcs	 Gasket Screw Nut Metal Housing	 <span style="float: right;">△</span>	*3
*1pc/Each	 Right & Left Cover <span style="float: right;">△</span> Body Cover Connector Body	 Cable Tie 	*60
 Cut Snap 包裝前請將卡勾剪除 如圖所示			



UNIT:mm		TITLE RJ45 Panel Screw 5E F Conn F Pin	
TOLERANCE .X ±0.25 .XX ±0.1 .XXX ±0.05 ANGLES ±1°	SCALE Free	SHEET 4 OF 4	
REV. F	SIZE A4	Ⓢ :Inspection Item	

**Amphenol LTW**  
安費諾亮泰企業股份有限公司

ITEM NO RJS-5EPFFD-SC7001	DRAWN BY Mafei	DATE 2014/12/25
DWG NO RJS-5EPFFD-SC7001	CHECKED BY Arthur	DATE 2014/12/25
CUSTOMER ALTW	APPROVED BY Jerry	DATE 2014/12/25