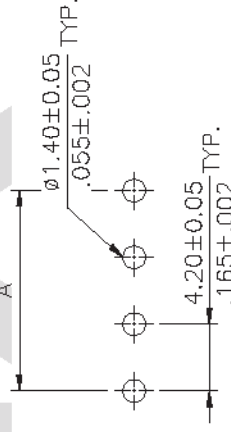


Ordering Code:

CP-01 3 ** * * S
 ① ② ③ ④ ⑤ ⑥

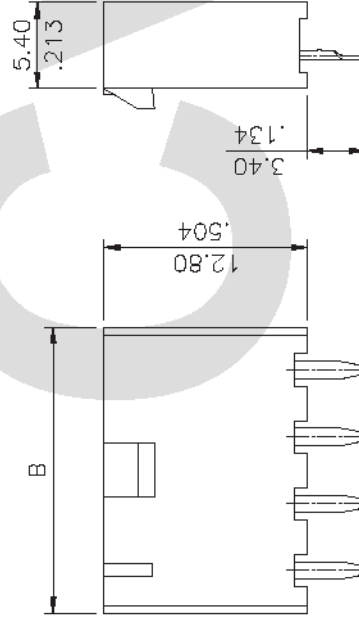
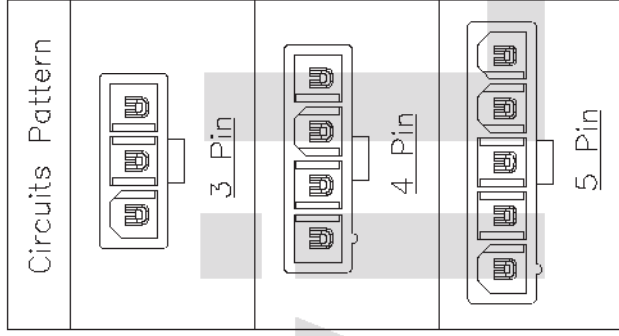
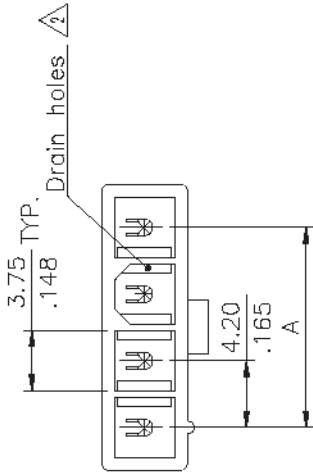
- ① Series No.
- ② Type of Connector:
 3= Straight PCB mount header
- ③ No of Circuits:
- ④ Plating Code:
 1 = 2.54μm(100μ") Tin over 1.02μm(40μ") Nickel
 2 = Gold flash plated over 1.27μm(50μ") Nickel
 B= Selective 0.38μm(15μ") gold plated over 1.27μm(50μ") Nickel
 C= Selective 0.76μm(30μ") gold plated over 1.27μm(50μ") Nickel
- ⑤ Variation:

- 1 = UL 94V-2, Without mounting pegs
 With Drain holes
- 3 = UL 94V-0, Without mounting pegs
 With Drain holes
- 6 = UL 94V-2, Without mounting pegs
 Without Drain holes
- 7 = UL 94V-0, Without mounting pegs
 Without Drain holes
- ⑥ S= Single Row Header



Recommended P.C. Board Layout

Material:
 * Insulation: Nylon 66, Color Nature
 * Contact: Brass



Circuits	Dimension	
	A	B
3	8.4(.331)	13.8(.543)
4	12.6(.496)	18.0(.709)
5	16.8(.661)	22.2(.874)

SYM	NAME	DATE	REVISIONS	DRAWN BY:	ENGINEER:	CHECKED BY:	APPROVED BY:	DATE	UNIT: mm / inch	TOLERANCE UNLESS OTHERWISE SPECIFIED	
										X ± 0.38/.015	X' ± 1"
④	Sandy	5/12-08		Sandy				5/12-08			
③	Hank	1/14 08		Eisley				5/13-08			
②	Hank	10/4 07		David				5/13-08			
①	Hank	10/4 07		Alex				5/13-08			

CIVILUX CORP.
 2008.05.27
 ISSUED

TITLE: STRAIGHT HEADER
 CP-01 POWER CONNECTOR
 MATERIAL:
 FINISH:

RoHS Compliant

瀚荃股份有限公司
CvILUX Corporation

DRAWING NO. CP0159AD	PART NO. CP-013**1*S
SCALE 3 / 1	SHEET 1 OF 1