

### Features

- Intel® LGA775 Socket for Intel® Core™ 2 Quad/ Core™ 2 Duo CPU
- Intel® Q45/ ICH10DO Chipset
- 4 DIMMs Up to 8GB DDR3 800/ 1066/ 1333 Memory, Non-ECC
- Intel® Graphics Media Accelerator 4500
- 7.1+2-CH HD Audio
- Dual Realtek RTL8111SC Gigabit Ethernet
- 2 PCIe16, 4 PCIe1, 1 PCI
- 2 COM, 12 USB, 5 SATA/ SATA II, 1 eSATA
- Power Fail-Auto on
- RAID 0, 1, 5, 10

Intel Q45	Intel GMA 4500	7.1+2-CH Audio	2 GbE	2 PCIe16
4 PCIe1	PCI	12 USB	5 SATA	eSATA
RAID				

### Specifications

#### System

• CPU	LGA775 Socket for Intel® Core™ 2 Quad/ Core™ 2 Duo Processor with 45nm Process Technology
• FSB	1333/ 1066/ 800MHz
• BIOS	AMI 4MB BIOS
• System Chipset	Intel® 82Q45/ 82801JO (ICH10DO)
• I/O Chip	Winbond W83627DHG
• System Memory	Four 240-pin DIMMs Support Up to 8GB DDR3 800/ 1066/ 1333 SDRAM
• Watchdog Timer	Reset: 1sec. ~ 255min. and 1sec. or 1min./step
• H/W Status Monitor	Monitoring Temperatures, Voltages and Cooling Fan Status with Auto Throttling Control
• Expansion	2 x PCIe16 (IDT 24LAN Switch), 4 x PCIe1, 1 x PCI
• S3/ S4	Yes
• TPM	Integrated iTPM 1.2
• RAID	RAID 0, 1, 5, 10
• Wake up LAN or Ring	LAN (PXE/ RPL)
• Smart Fan Control	Yes

#### I/O

• MIO	1 x IDE, 5 x SATA II, 2 x COM, 1 x K/B, 1 x Mouse, 1 x eSATA
• USB	8 x USB 2.0 (4 Edge, 4 Pin-header)
• GPIO	16-bit GPIO

#### Display

• Chipset	Intel® Q45 Integrated Graphics Media Accelerator 4500
• Display Memory	Intel® DVM T 4.0 Supports Up to 284MB Shared Video Memory
• Max. 3D Resolution	2048 x 1536 @ 32bpp (75Hz)
• VGA	External Port

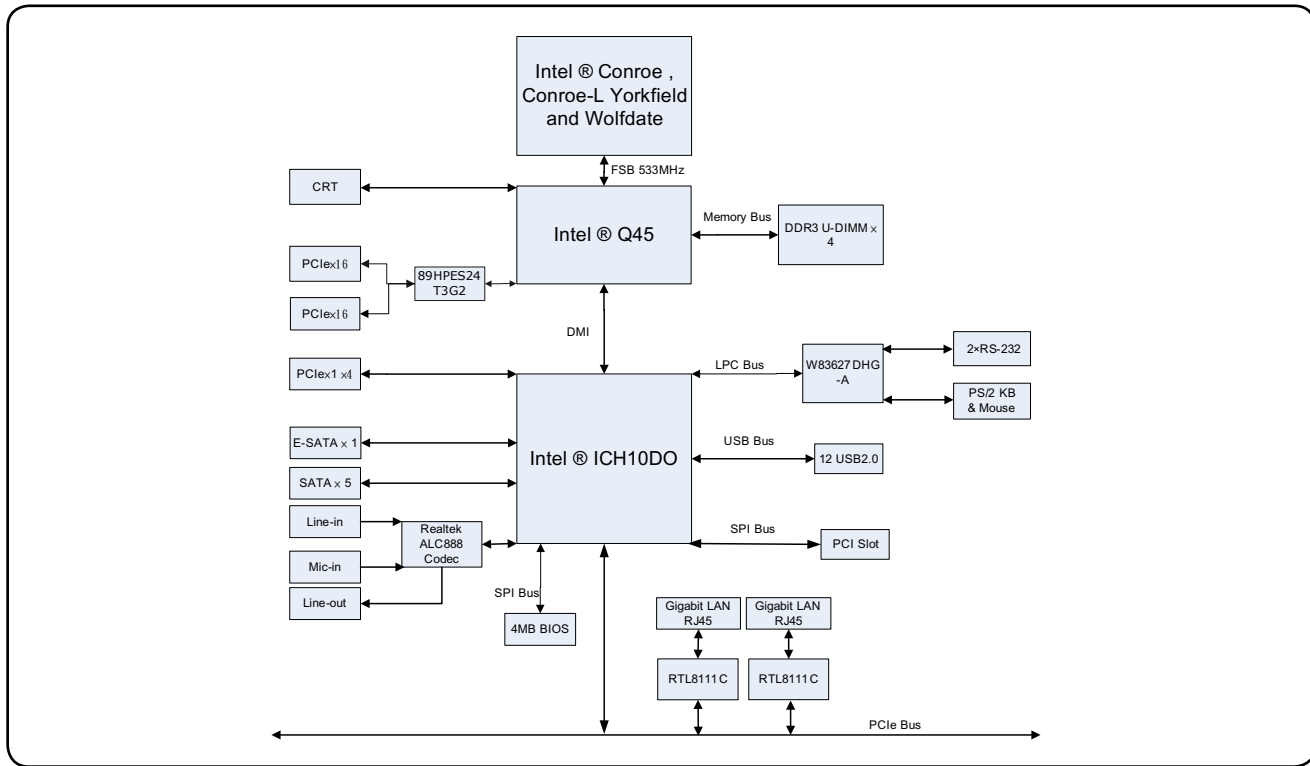
#### Audio

• Audio Codec	Realtek ALC888, 7.1+2 Independent Streaming
• Audio Interface	Mic-in, Line-in, Line-out

#### Ethernet

• LAN 1	Realtek RTL8111SC Gigabit Ethernet
• LAN 2	Realtek RTL8111SC Gigabit Ethernet

### Block Diagram



#### Rear Panel I/O Port

- **Rear Panel I/O Port**
  - 1 x PS/2 Keyboard
  - 1 x PS/2 Mouse
  - 1 x VGA Port
  - 1 x COM Port
  - 2 x RJ-45 Port
  - 4 x USB 2.0/1.1
  - 1 x eSATA
  - Audio Jack (3 Ports)

#### Internal Panel I/O Port

- **Internal Panel I/O Port**
  - 4 x USB Connectors Support Additional 8 USB Ports (with 5V Dual)
  - 5 x SATA Connectors
  - 1 x COM Header
  - 1 x CPU Fan Connector
  - 1 x Chassis Fan Connector
  - 1 x Power Fan Connector
  - 1 x Front Panel Header
  - 1 x Chassis Intrusion Header
  - 1 x 24-pin ATX Power Connector
  - 1 x 4-pin ATX 12V Power Connector

#### Mechanical & Environmental

- **Power Type** ATX
- **Operating Temperature** 0 ~ 60°C (32 ~ 140°F)
- **Storage Temperature** -40 ~ 75°C (-40 ~ 167°F)
- **Operating Humidity** 0% ~ 90% Relative Humidity, Non-condensing
- **Size (L x W)** 12" x 9.6" (304.8mm x 243.84mm)
- **Weight** 1.32lbs (0.6Kg)

- 1 Embedded System
- 2 ETX/XTX/COM Express
- 3 3.5" SBC
- 4 EPIC
- 5 5.25" SBC
- 6 PC/104
- 7 ATX
- 8 Micro ATX
- 9 Mini ITX
- 10 Nano ITX
- 11 ACP
- 12 Mini ITX System
- 13 Peripherals
- 14 Index

### Ordering Information

#### • ACP-Q45DV2-A1R

Intel® Core™ 2 Quad ATX Motherboard with Intel® Q45 + ICH10DO Chipset and VGA, Audio, 2 GbE, 2 COM, 12 USB, 5 SATA, 1 eSATA, 2 PCIex16, 4 PCIex1, 1 PCI, 16 GPIO, TPM w/ SATA Cable, IDE Cable, Bracket, CD Driver