

## DETAILS

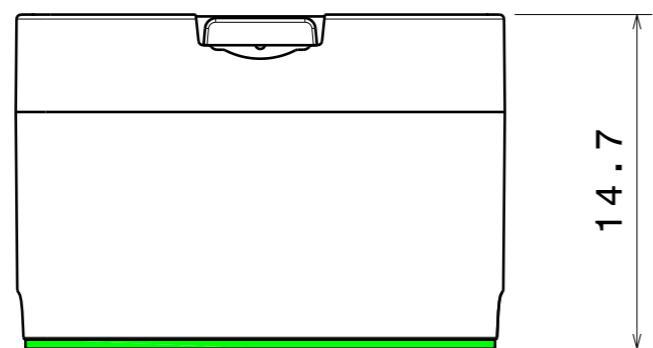
<b>Product Number</b>	FA10832_LXP-W
<b>Family</b>	Leila
<b>Type</b>	Assembly
<b>Color</b>	black
<b>Diameter</b>	21,6 mm
<b>Height</b>	14,7 mm
<b>Style</b>	round
<b>Optic Material</b>	PMMA
<b>Holder Material</b>	
<b>Fastening</b>	tape
<b>Status</b>	production ready
<b>ROHS Compliant</b>	Yes
<b>Date Updated</b>	10/04/2014



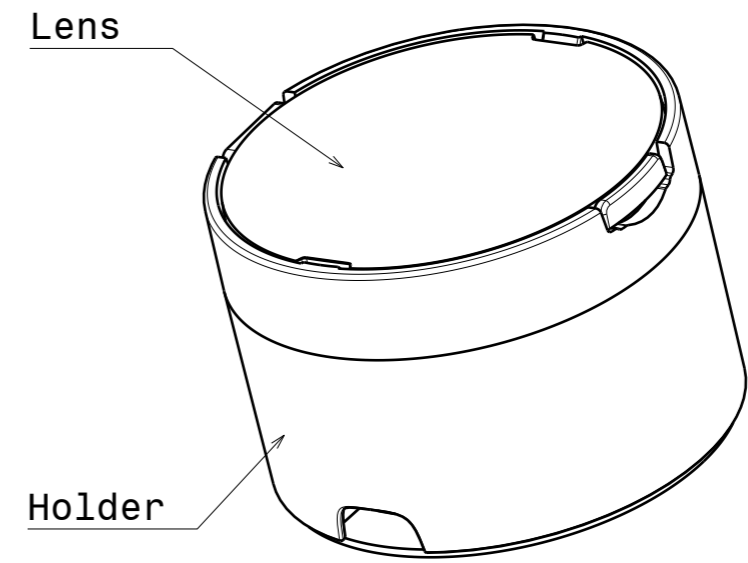
## OPTICAL PROPERTIES

LED	Viewing	Light	Effi-		Connector
	Angle	Beam	ciency	cd/lm	
XP-G	46 deg	Wide	84 %	-	-
XP-E-HEW	44 deg	Wide	-	-	-
XP-E	44 deg	Wide	91 %	1.800	-
XT-E	45 deg	Wide	-	-	-
XP-L HI	45 deg	Wide	85 %	1.500	-
Z5	44 deg	Wide	-	-	-

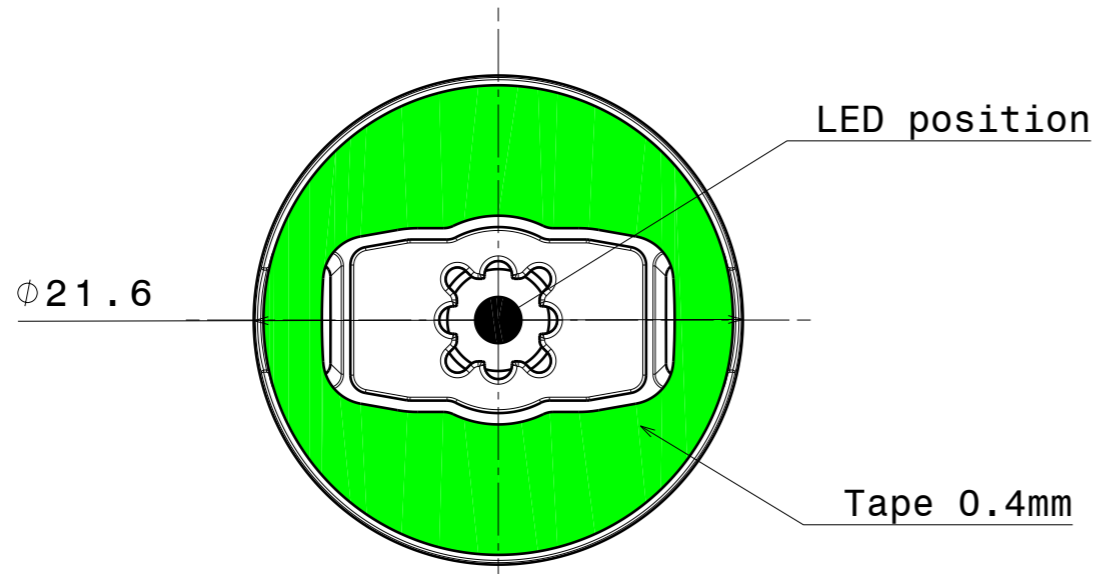
H G F E D C B A



Front view  
Scale: 3:1



Isometric view  
Scale: 3:1



Bottom view  
Scale: 3:1

INDEX	DESCRIPTION	MATERIAL	COLOUR
1	Lens	PMMA	
2	Holder	PC	black
3	Tape	PU 2-sided foam tape	adhesive

Tolerances if not otherwise shown  
According to DIN ISO 2768-1  
Linear measures:  
Up to 30mm class M, otherwise class C.  
According to DIN ISO 2768-2  
Form and position: class L

**LEDiL** LediL Oy  
Salorankatu 10  
FIN 24240 SALO  
Finland

THIRD ANGLE PROJECTION:

DRAWING TITLE  
**Datasheet\_LXP-Series**

This drawing is the property of LEDiL Oy. It may not be reproduced, copied or communicated without a written agreement with LEDiL Oy.

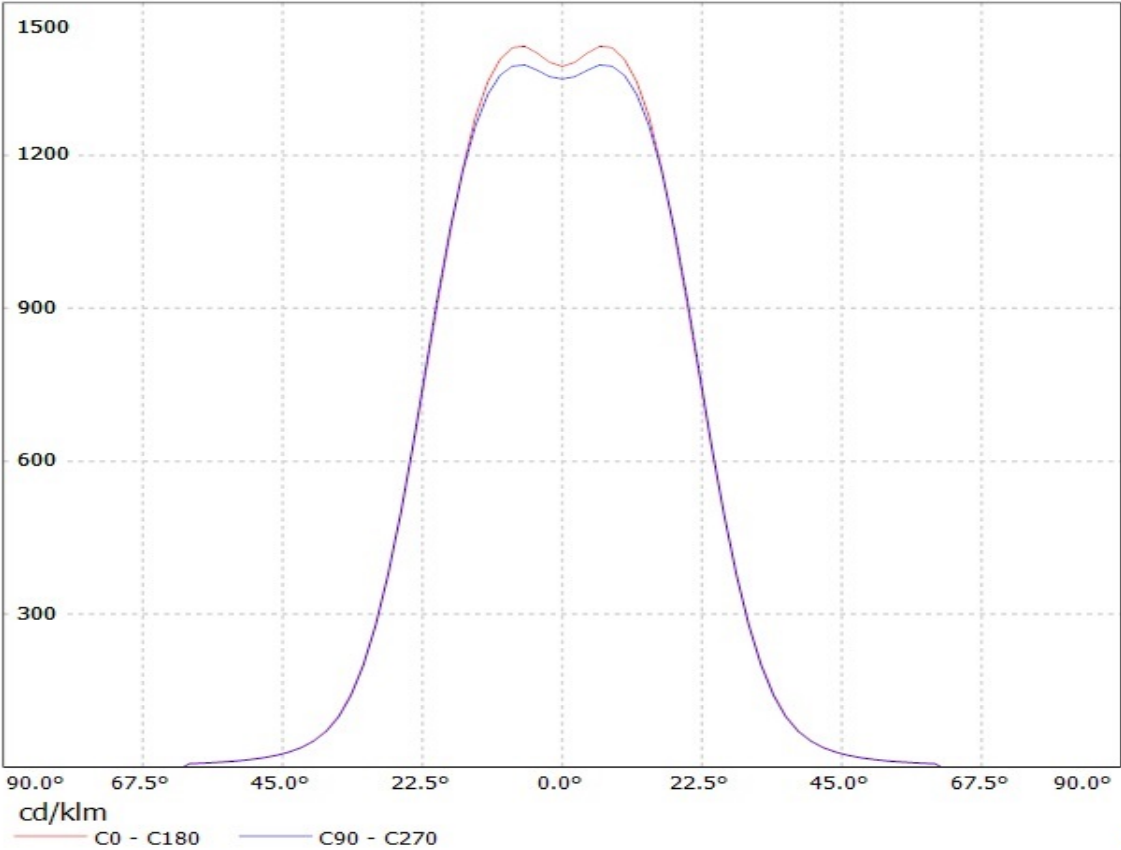
SIZE PART NUMBER  
**A3** -

SCALE 3:1 WEIGHT - SHEET 1/1

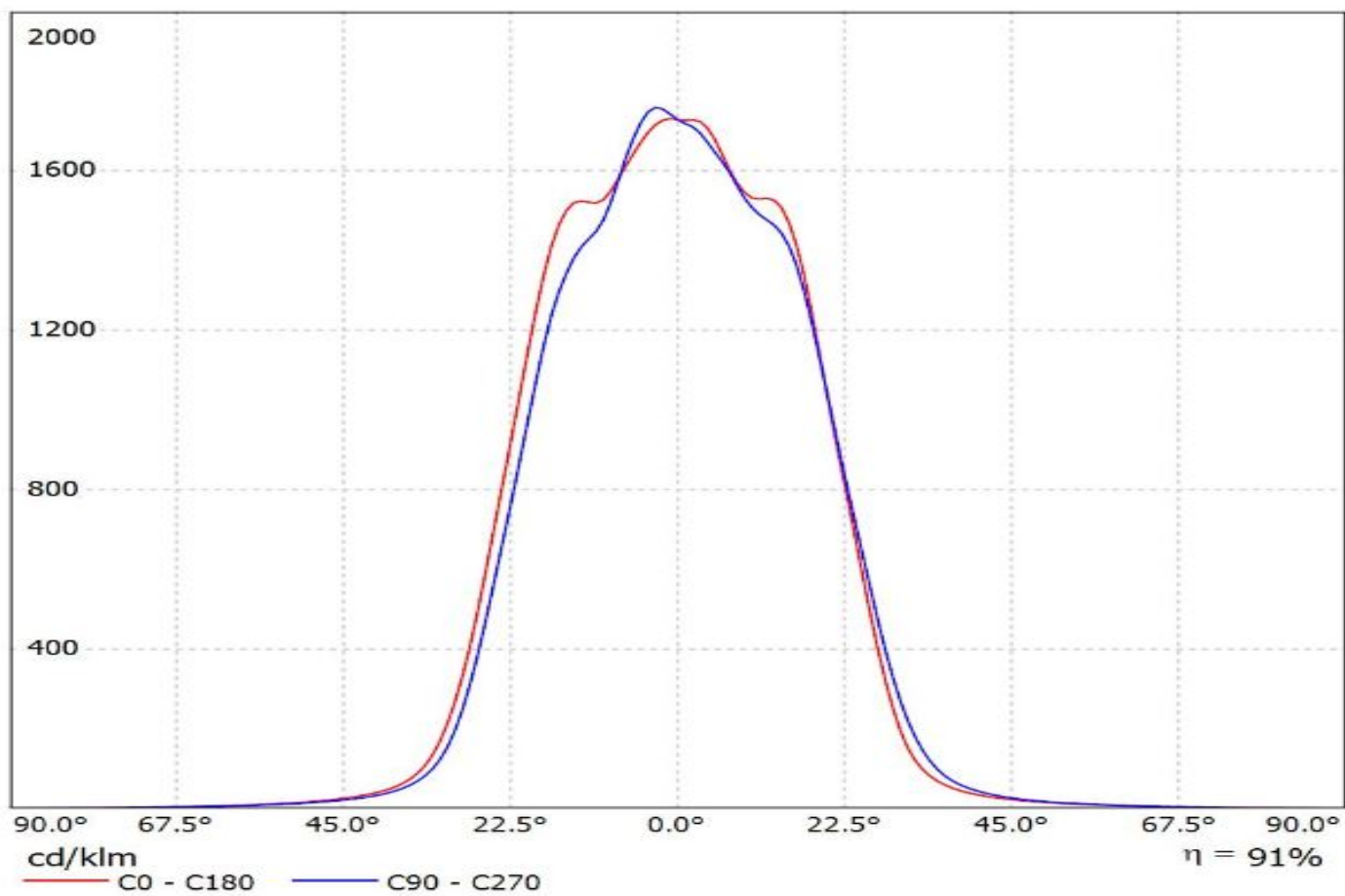
H G B A

Ledil Oy FA10832\_LXP-G-W FA10832\_LXP-G-W / LDC (Linear)

Luminaire: Ledil Oy FA10832\_LXP-G-W FA10832\_LXP-G-W  
Lamps: 1 x Cree XP-G (White)



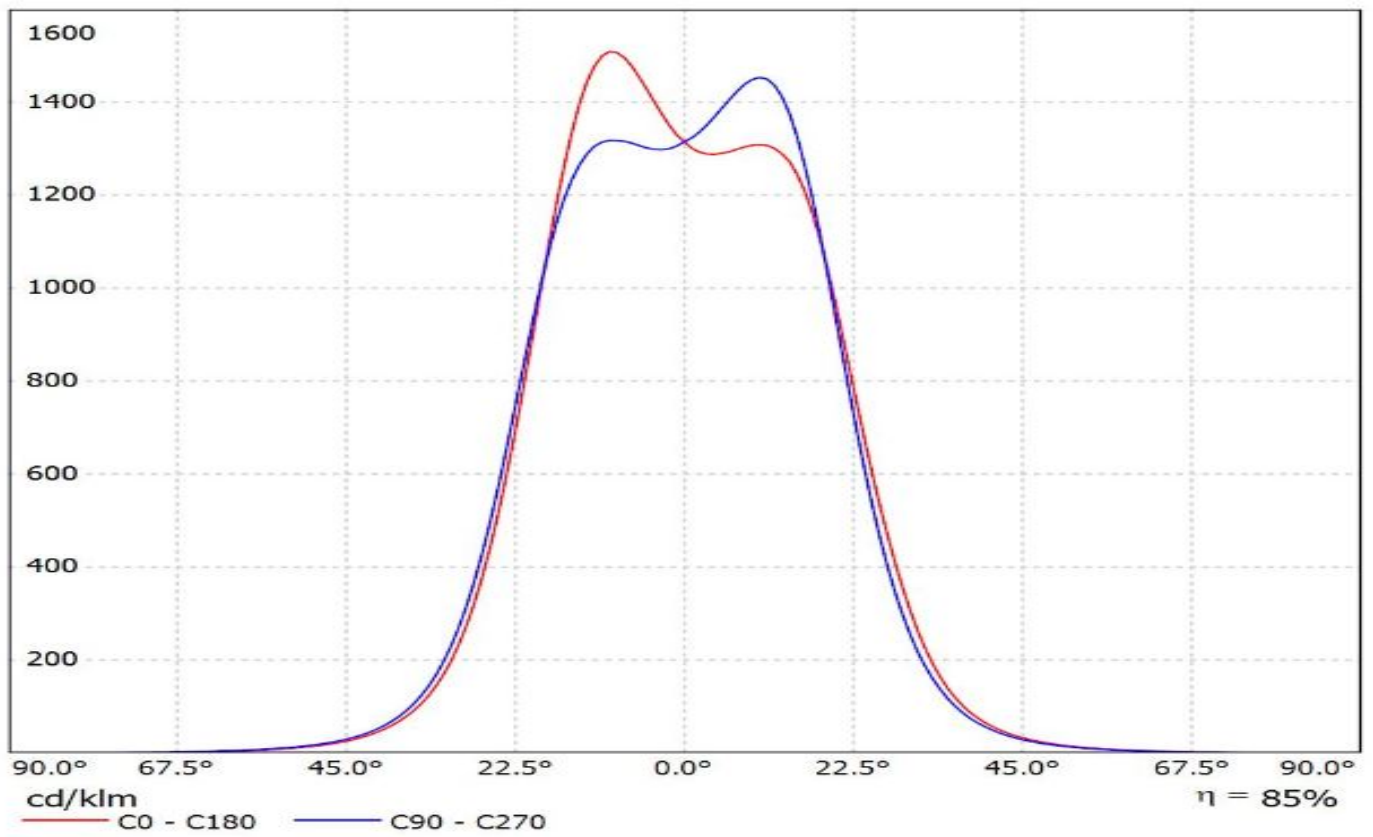
Luminaire: LEDIL OY FA10832\_LXP-W\_(XP-E)  
Lamps: 1 x XP-E (71.84lm)



# Ledil FA10832\_LXP-W\_(XP-L\_HI) / LDC (Linear)

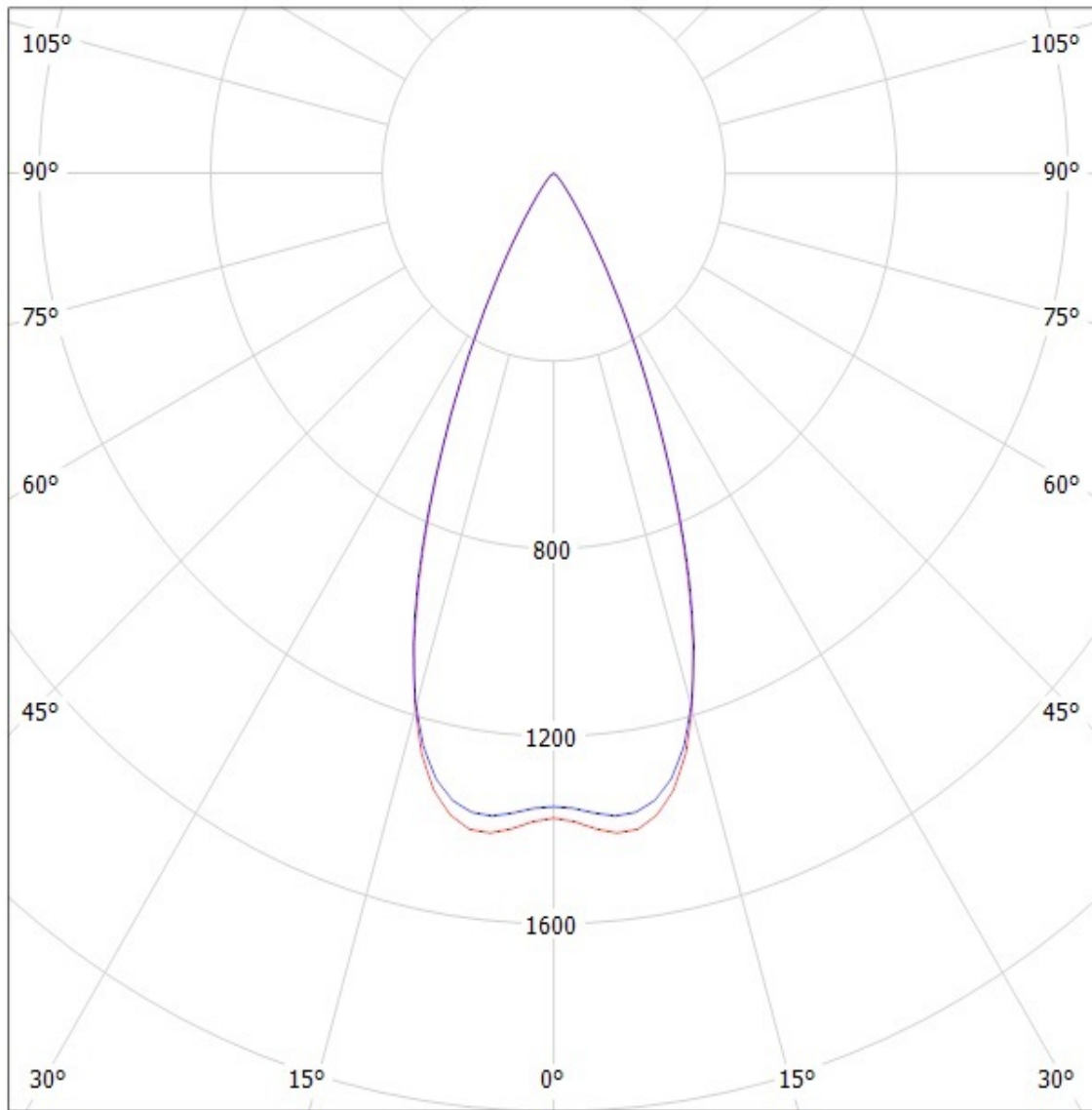
Luminaire: Ledil FA10832\_LXP-W\_(XP-L\_HI)

Lamps: 1 x CREE\_XP-L\_HI\_116.971lm@250mA\_P=0.75W\_I=0.25A



# Ledil Oy FA10832\_LXP-G-W FA10832\_LXP-G-W / LDC (Polar)

Luminaire: Ledil Oy FA10832\_LXP-G-W FA10832\_LXP-G-W  
Lamps: 1 x Cree XP-G (White)

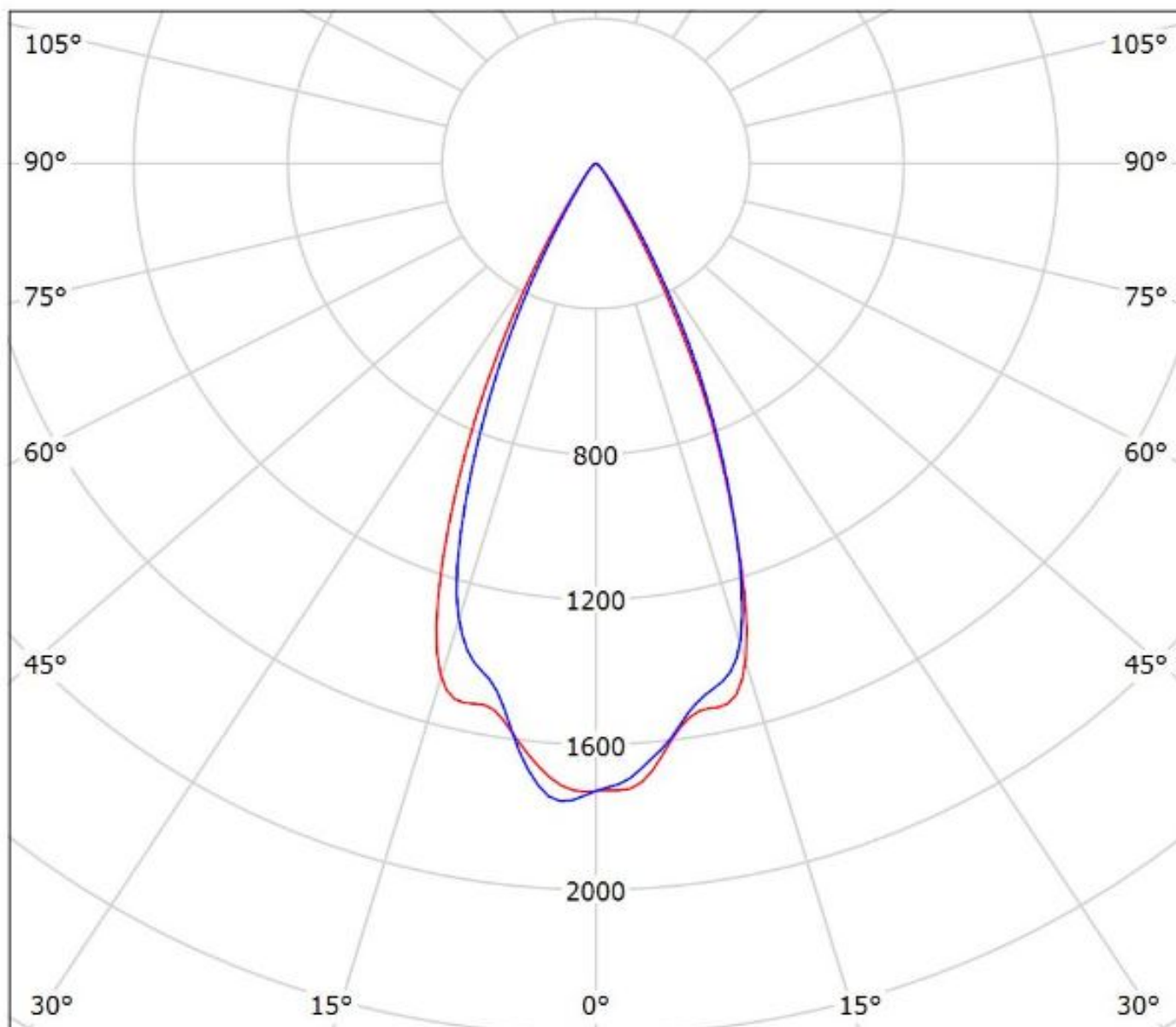


cd/klm

— C0 - C180 — C90 - C270

**SIMULATED**

Luminaire: LEDIL OY FA10832\_LXP-W\_(XP-E)  
Lamps: 1 x XP-E (71.84lm)



cd/klm

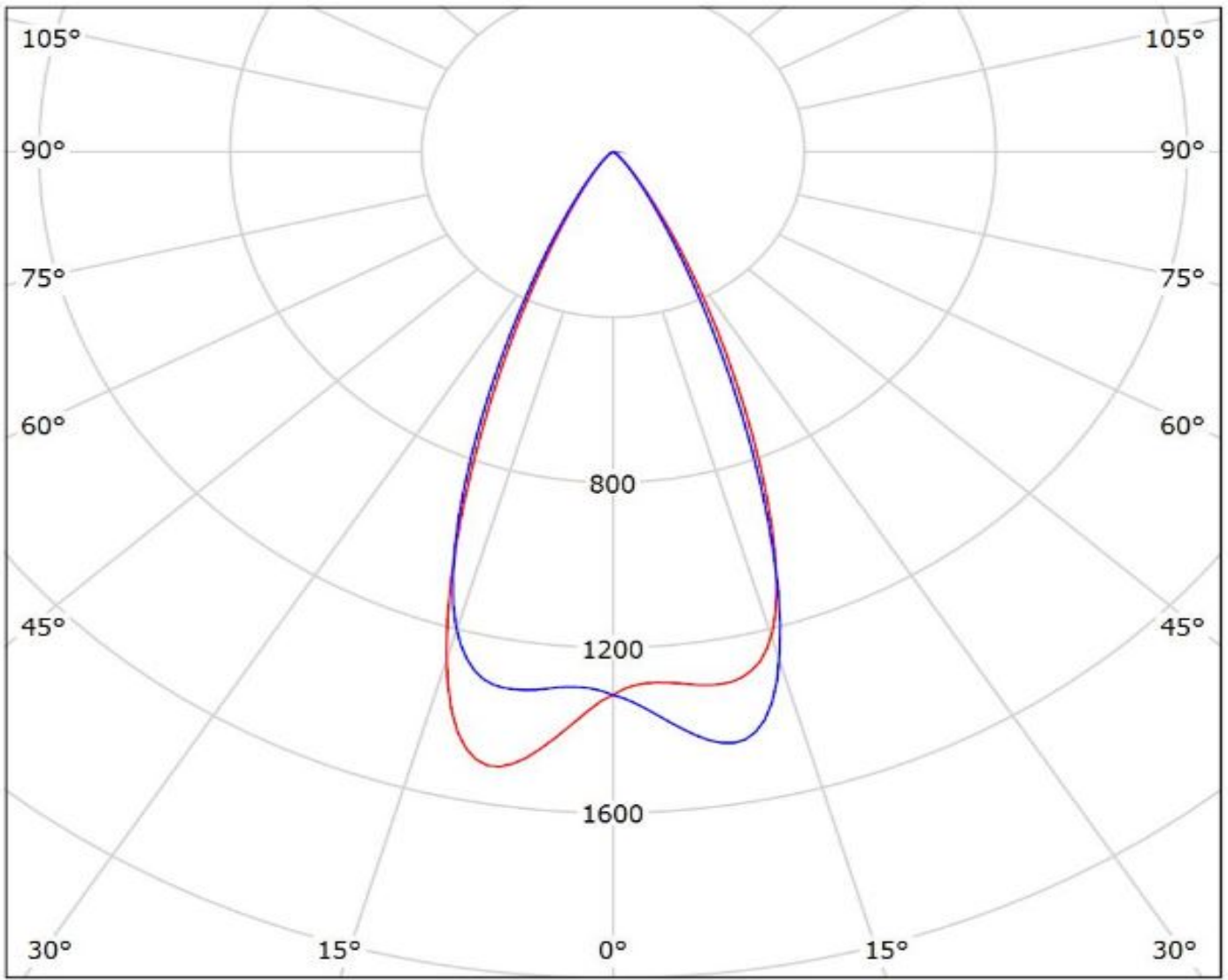
— C0 - C180 — C90 - C270

$\eta = 91\%$

# Ledil FA10832\_LXP-W\_(XP-L\_HI) / LDC (Polar)

Luminaire: Ledil FA10832\_LXP-W\_(XP-L\_HI)

Lamps: 1 x CREE\_XP-L\_HI\_116.971lm@250mA\_P=0.75W\_I=0.25A





**NOTE: The typical divergence will be changed by different color, chip size and chip position tolerance. The typical total divergence is the full angle measured where the luminous intensity is half of the peak value.**