**Product number F14170\_FLORENCE-ZT25**

Family	Florence	FWHM	asymmetric degrees
Type	Lens array	Efficiency	93 %
LED	XH-B/G	cd/lm	0.500
Color	Clear	Gerber File	Available
Diameter	286 + 61 mm	Double asymmetric oval light pattern. Designed especially for store aisle environment where shelves are on both sides. Please note that C14437_FLORENCE-PF-3R cannot be used to fasten this optic.	
Height	11 mm		
Style	Rectang		
Optic Material	PMMA		
Holder Material	-		
Fastening	["screw"]		
Status	Production ready		

**Product number C14530\_FLORENCE-1R-Z2T25**

Family	Florence	FWHM	Asymmetric degrees
Type	Lens	Efficiency	87 %
LED	XH-B/G	cd/lm	0.410
Color	Clear	Gerber File	Available
Diameter	19.5 x 286 mm		
Height	6.4 mm		
Style	Rectang		
Optic Material	PMMA		
Holder Material	-		
Fastening	-		
Status	Production ready		

**Product number C14642\_FLORENCE-1R-UP**

Family	Florence	FWHM	Asymmetric degrees
Type	Lens	Efficiency	89 %
LED	XH-B/G	cd/lm	0.290
Color	Clear	Gerber File	Available
Diameter	285.6 x 19.51 mm		
Height	6.91 mm		
Style	Rectang		
Optic Material	PMMA		
Holder Material	-		
Fastening	["clips"]		
Status	Production ready		

**Product number F14112\_FLORENCE-Z60**

Family	Florence	FWHM	43 degrees
Type	Lens	Efficiency	87 %
LED	XH-B/G	cd/lm	0.860
Color	Clear	Gerber File	Available
Diameter	286 x 61 mm		
Height	8.5 mm		
Style	Rectang		
Optic Material	-		
Holder Material	-		
Fastening	["screw"]		
Status	Production ready		

# PRODUCT DATASHEET

## Florence series

last update 13/1/2016

**Product number F14468\_FLORENCE-1R-Z60**

Family	Florence	FWHM	63+113 degrees
Type	Lens	Efficiency	94 %
LED	XH-B/G	cd/lm	0.540
Color	Clear	Gerber File	Available
Diameter	19.5 x 286 mm		
Height	7.55 mm		
Style	Rectang		
Optic Material	PMMA		
Holder Material	-		
Fastening	["clips"]		
Status	Production ready		

**Product number F13853\_FLORENCE-Z90**

Family	Florence	FWHM	95 degrees
Type	Lens array	Efficiency	82 %
LED	XH-B/G	cd/lm	0.370
Color	Clear	Gerber File	Available
Diameter	61 x 286 mm		
Height	8.45 mm		
Style	Rectang		
Optic Material	PMMA		
Holder Material	-		
Fastening	["screw"]		
Status	Production ready		

**Product number F14304\_FLORENCE-1R-Z90**

Family	Florence	FWHM	97+117 degrees
Type	Lens	Efficiency	90 %
LED	XH-B/G	cd/lm	0.350
Color	Clear	Gerber File	Available
Diameter	19.5 x 286 mm		
Height	7 mm		
Style	Rectang		
Optic Material	PMMA		
Holder Material	-		
Fastening	["clips"]		
Status	Production ready		

**NOTE: The typical divergence will be changed by different color, chip size and chip position tolerance. The typical total divergence is the full angle measured where the luminous intensity is half of the peak value.**



## PRODUCT DATASHEET

### Florence series

last update 13/1/2016

#### GENERAL INFORMATION

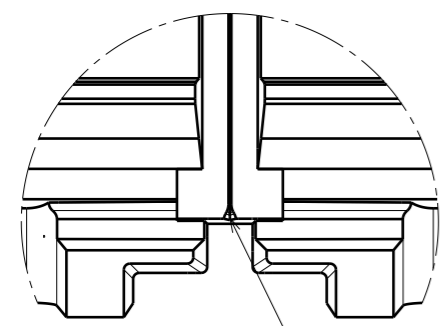
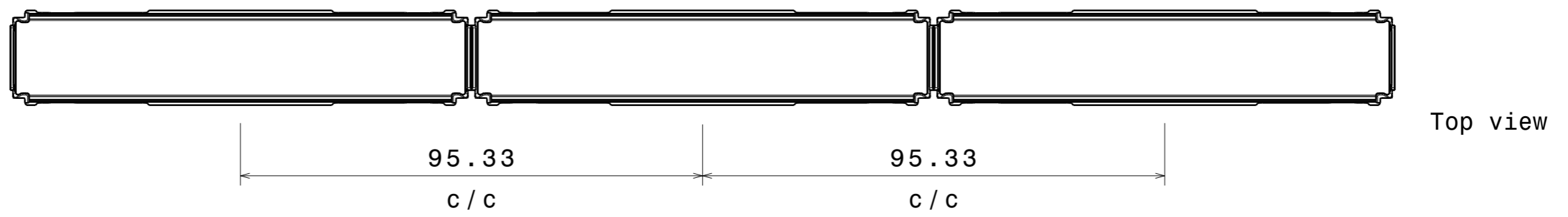
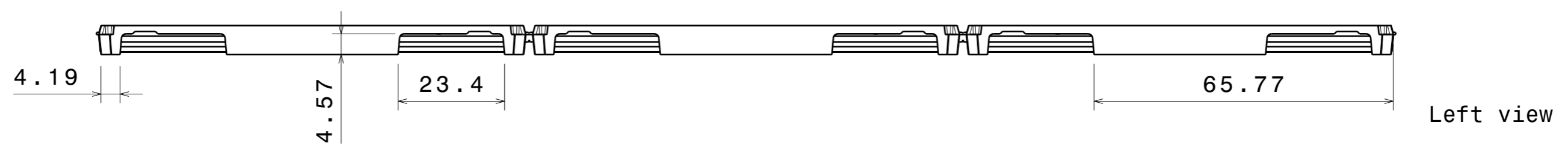
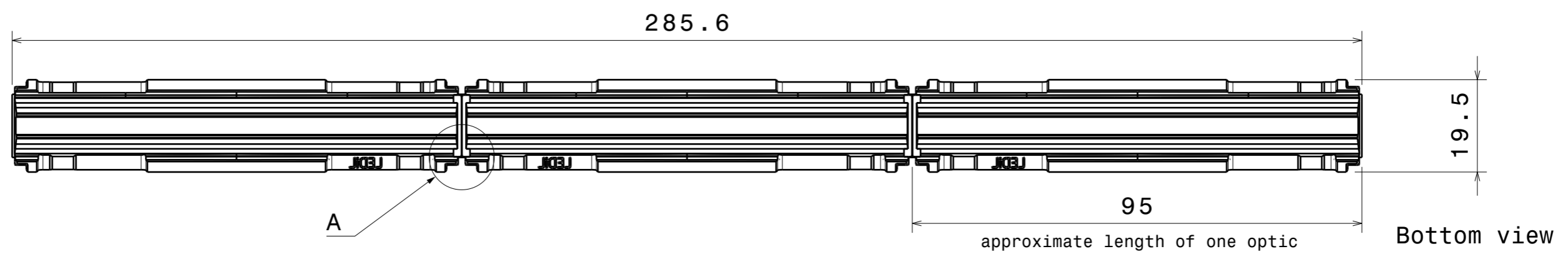
- Product series especially designed & optimized for XH-B/G series of LEDs.
- Special care taken to make light distribution as uniform as possible.
- Lens material optical grade PMMA with high UV and temperature resistance. Allows use of high current and temperature conditions.

Please find more information about used material from below:

[http://ledil.fi/sites/default/files/Documents/Technical/Material/PMMA%20N%20UL94\\_Yellow%20Card.pdf](http://ledil.fi/sites/default/files/Documents/Technical/Material/PMMA%20N%20UL94_Yellow%20Card.pdf)

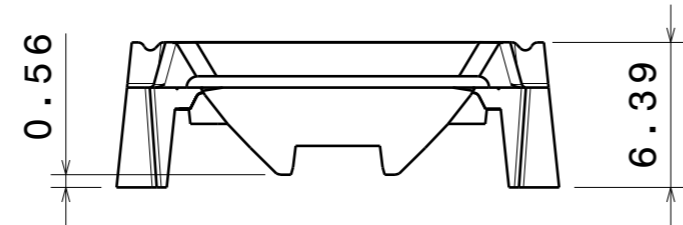
<http://ledil.fi/sites/default/files/Documents/Technical/Material/PMMA%20N%20PLEXIGLAS-Datasheet.pdf>

H G F E D C B A



Detail A  
Scale: 4:1

Snapping point \*



Front view  
Scale: 3:1

\* Optics can be snapped along this line and used also as single parts.

Tolerances if not otherwise shown  
According to DIN ISO 2768-1  
Linear measures:  
Up to 30mm class M, otherwise class C  
According to DIN ISO 2768-2  
Form and position: class L

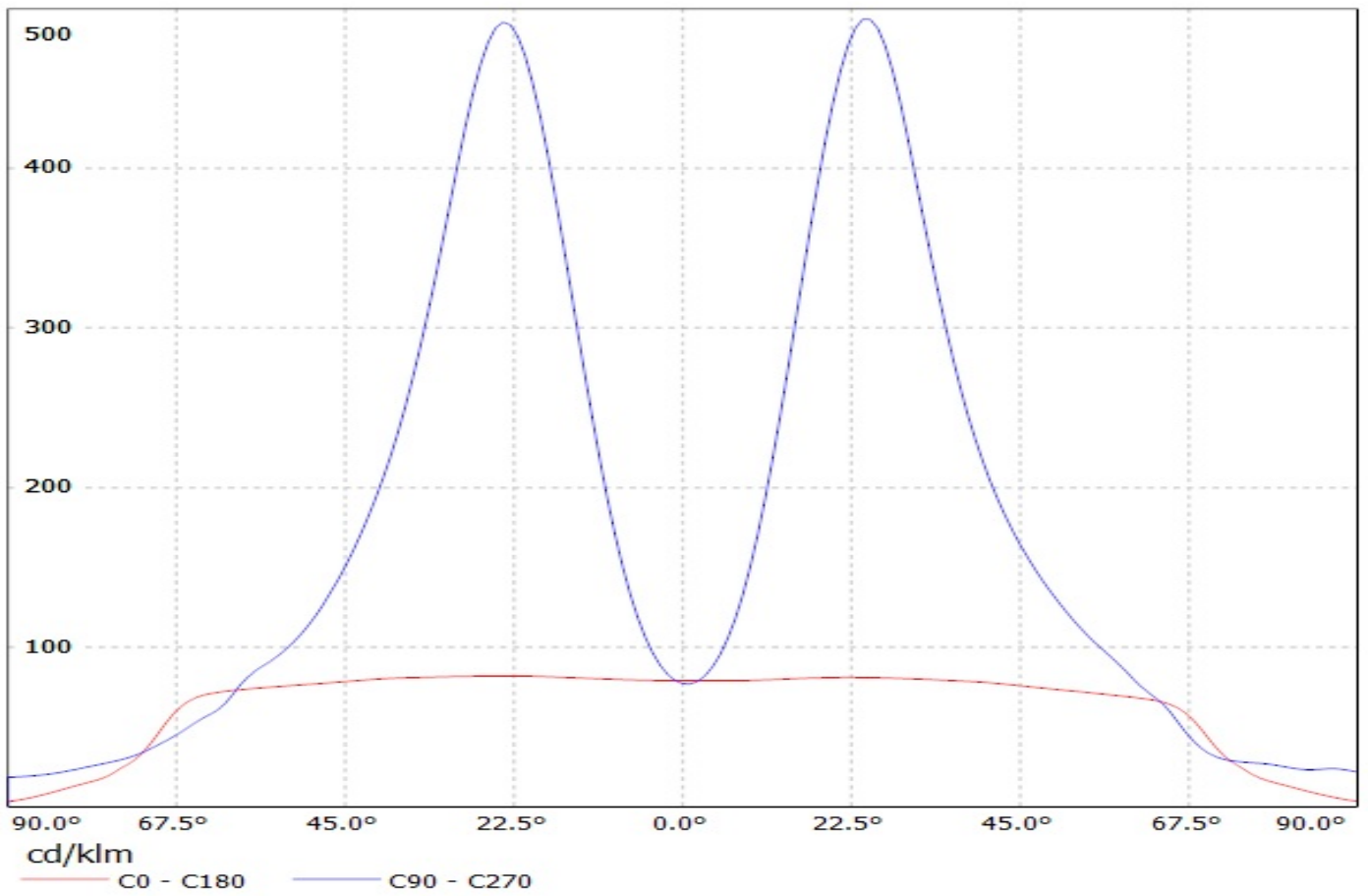
THIRD ANGLE PROJECTION:

This drawing is the property of LEDiL Oy. It may not be reproduced, copied or communicated without a written agreement with LEDiL Oy.

INDEX	PART NO	DESCRIPTION	MATERIAL	COLOUR
1	C14530	FLORENCE - 1R - Z2T25	PMMA	clear
		LediL Oy Salorankatu 10 FIN 24240 SALO Finland		
DRAWING TITLE C14530_FLORENCE - 1R - Z2T25				
SIZE	PART NUMBER			
A3	C14530			
SCALE	1:1	WEIGHT	21,58 g	SHEET 1/1

H G B A

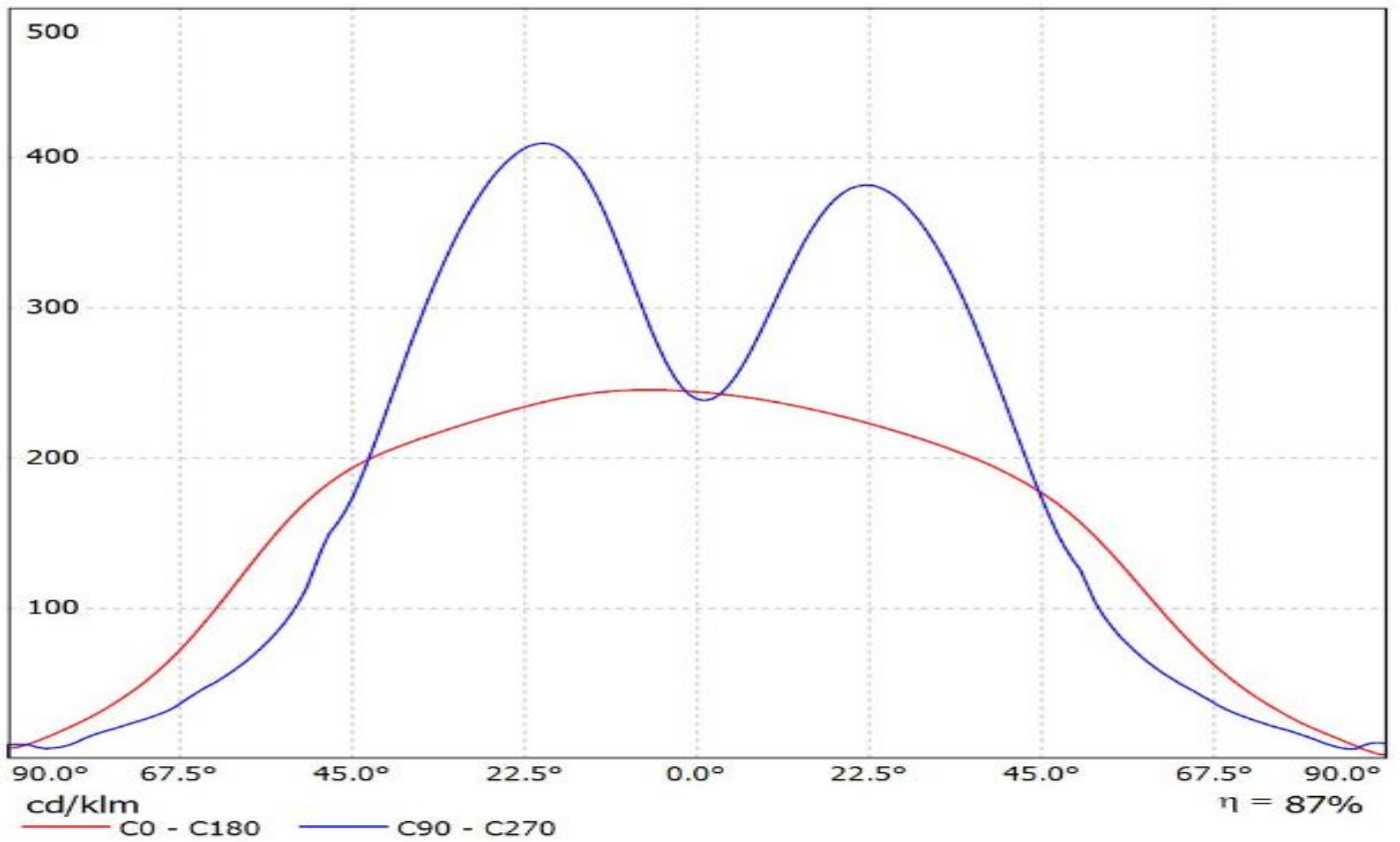
Luminaire: LEDiL Oy F14170\_FLORENCE-ZT25\_(XH-G) Eff: 93%  
Lamps: 1 x Cree\_XH-G\_(XHGAWT-0-7B4-J30-0H)\_1063.31lm@250mA\_P=8.12225W\_I=0.2498A



# Ledil C14530\_FLORENCE-1R-Z2T25\_(XH-B) / LDC (Linear)

Luminaire: Ledil C14530\_FLORENCE-1R-Z2T25\_(XH-B)

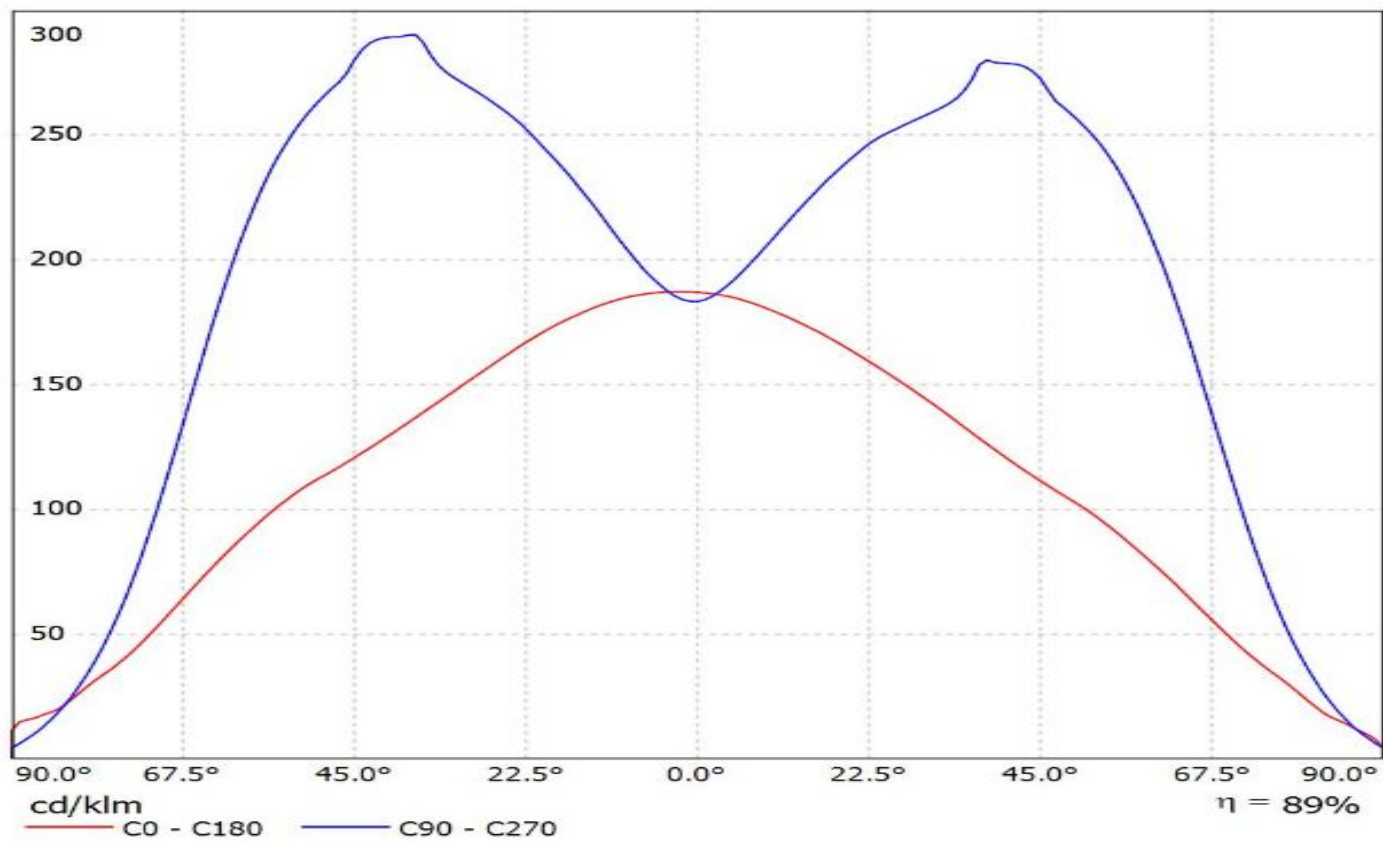
Lamps: 1 x Cree\_XH-B\_x22\_(XHBAWT-0-7B4-J20-0H-0001)\_288.58lm@65mA\_P=2.1W\_I=0.065A



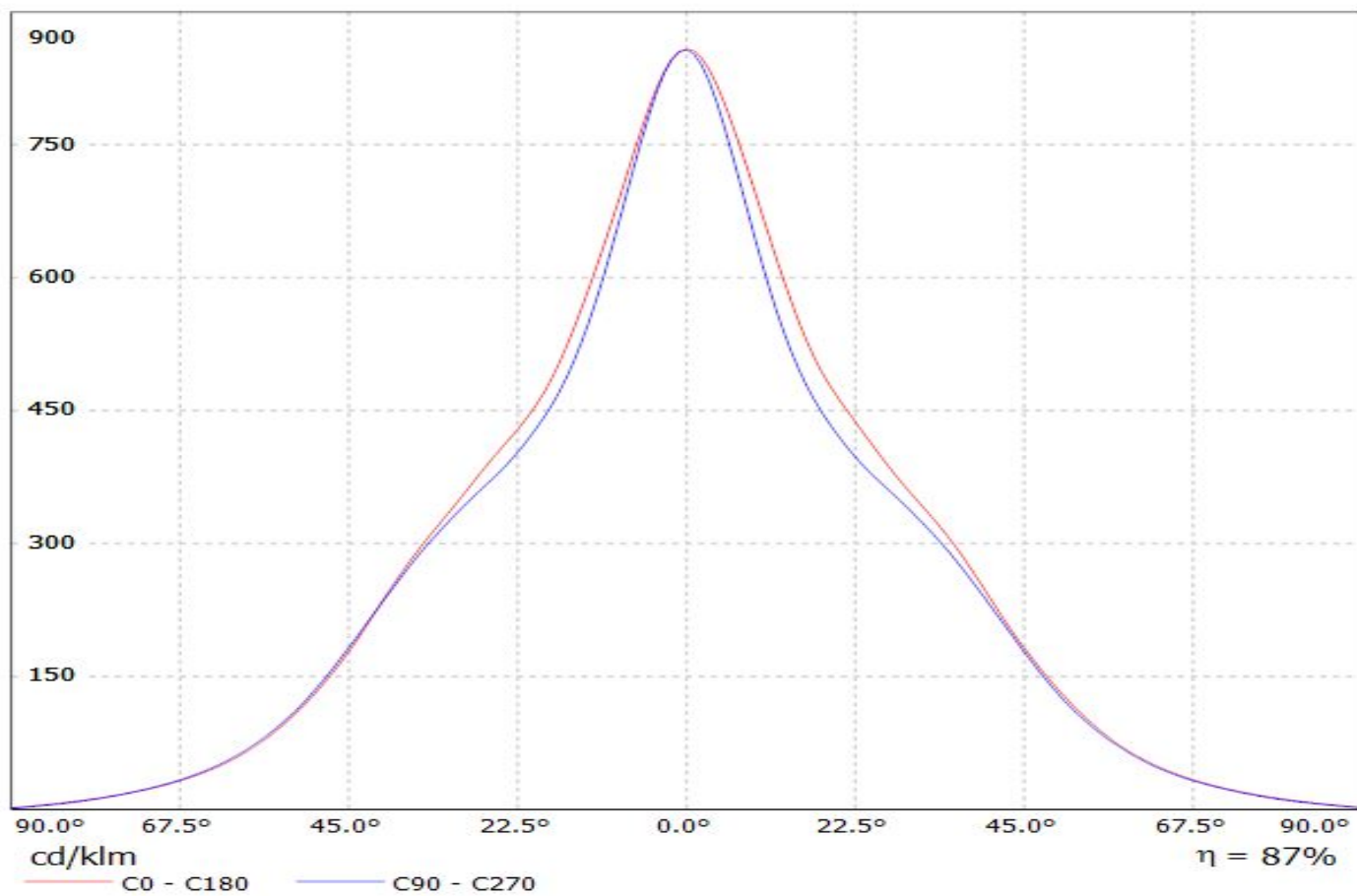
# Ledil C14642\_FLORENCE-1R-UP\_(XH-B) / LDC (Linear)

Luminaire: Ledil C14642\_FLORENCE-1R-UP\_(XH-B)

Lamps: 1 x Cree\_XH-B\_x22\_(XHBAAWT-0-7B4-J20-0H-0001)\_288.58lm@65mA\_P=2.1W\_I=0.065A



Luminaire: LEDiL Oy F14112\_Florence-Z60\_(XH-G) Eff.87.4%  
Lamps: 1 x CREE\_XH-G\_(XHGAWT-0-7B4-J30-0H-0001)\_1055.65lm@250mA\_P=8.1195W\_I=249.8mA

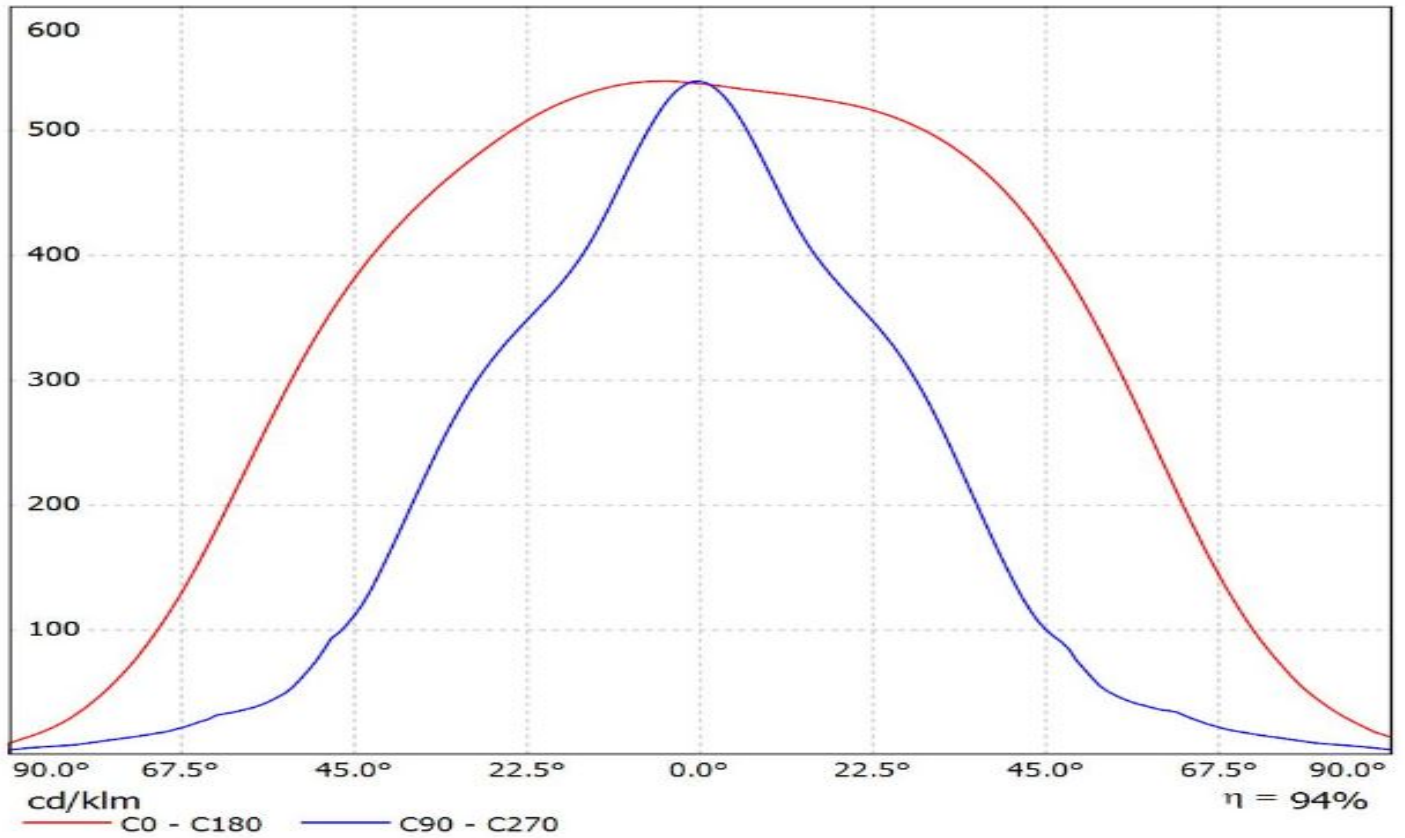




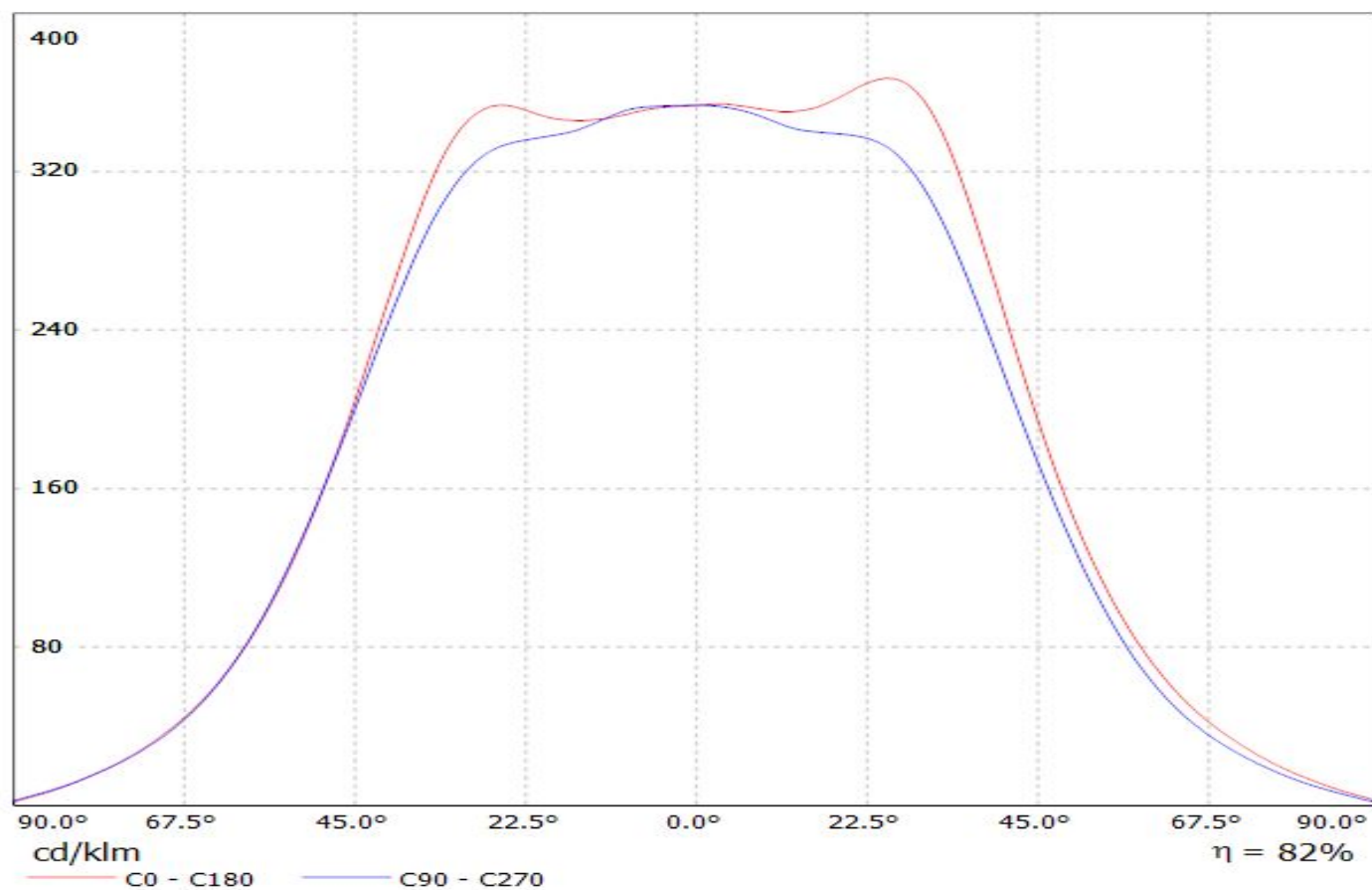
# Ledil F14468\_FLORENCE-1R-Z60\_(XH-B) / LDC (Linear)

Luminaire: Ledil F14468\_FLORENCE-1R-Z60\_(XH-B)

Lamps: 1 x Cree\_XH-B\_x22\_(XHBAWT-0-7B4-J20-0H-0001)\_315.848lm@65mA\_P=2.11W\_I=65mA



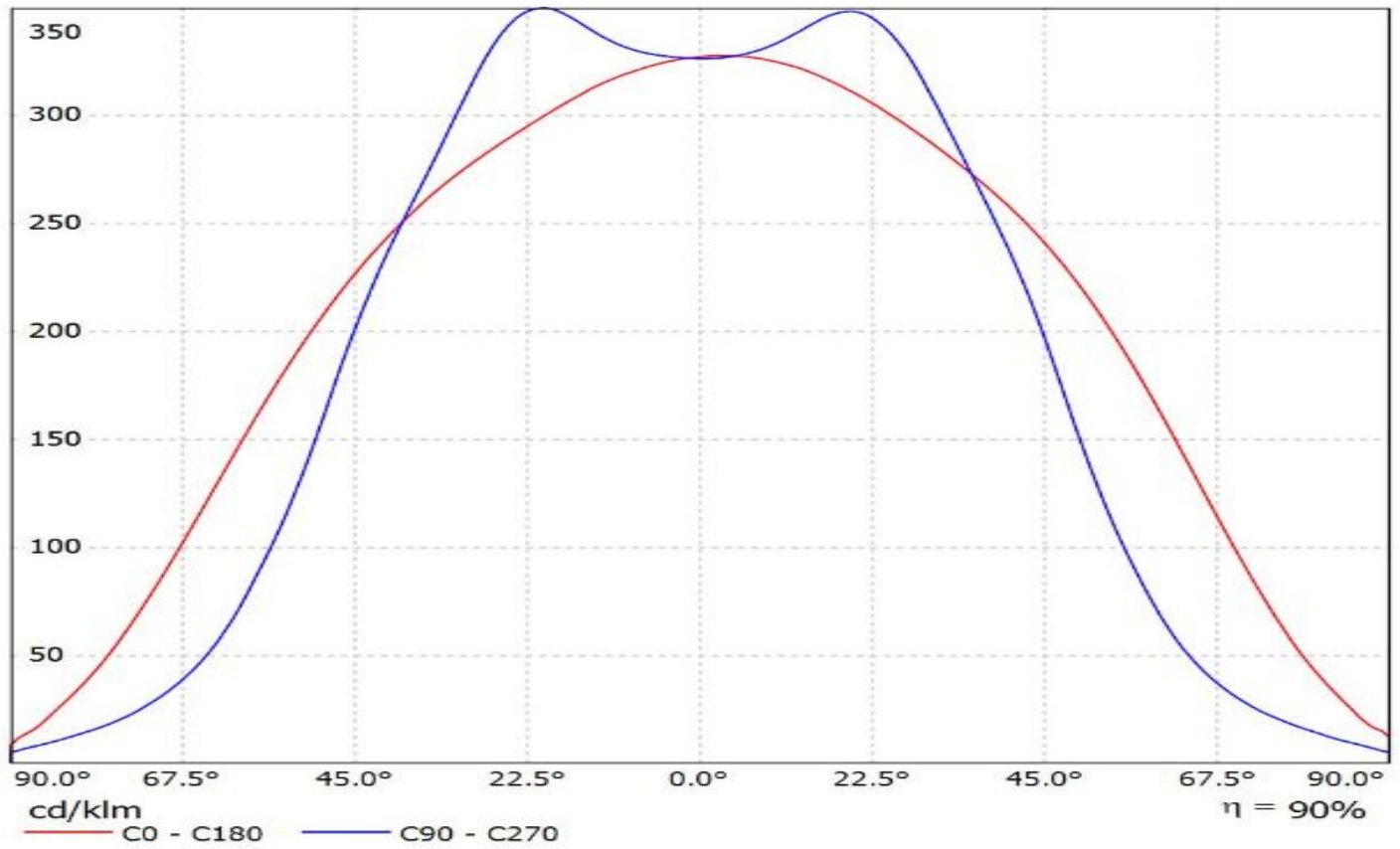
Luminaire: LEDiL Oy F13853\_FLORENCE-Z90\_(XH-B) EFF\_81.8%  
Lamps: 1 x CREE\_XH-B\_(XHGAWT-0-7B4-J30-0H-0001)  
\_1060.84lm@250mA\_CCT=5000K\_P=8W\_I=249.8mA



# Ledil F14304\_FLORENCE-1R-Z90\_(XH-B) / LDC (Linear)

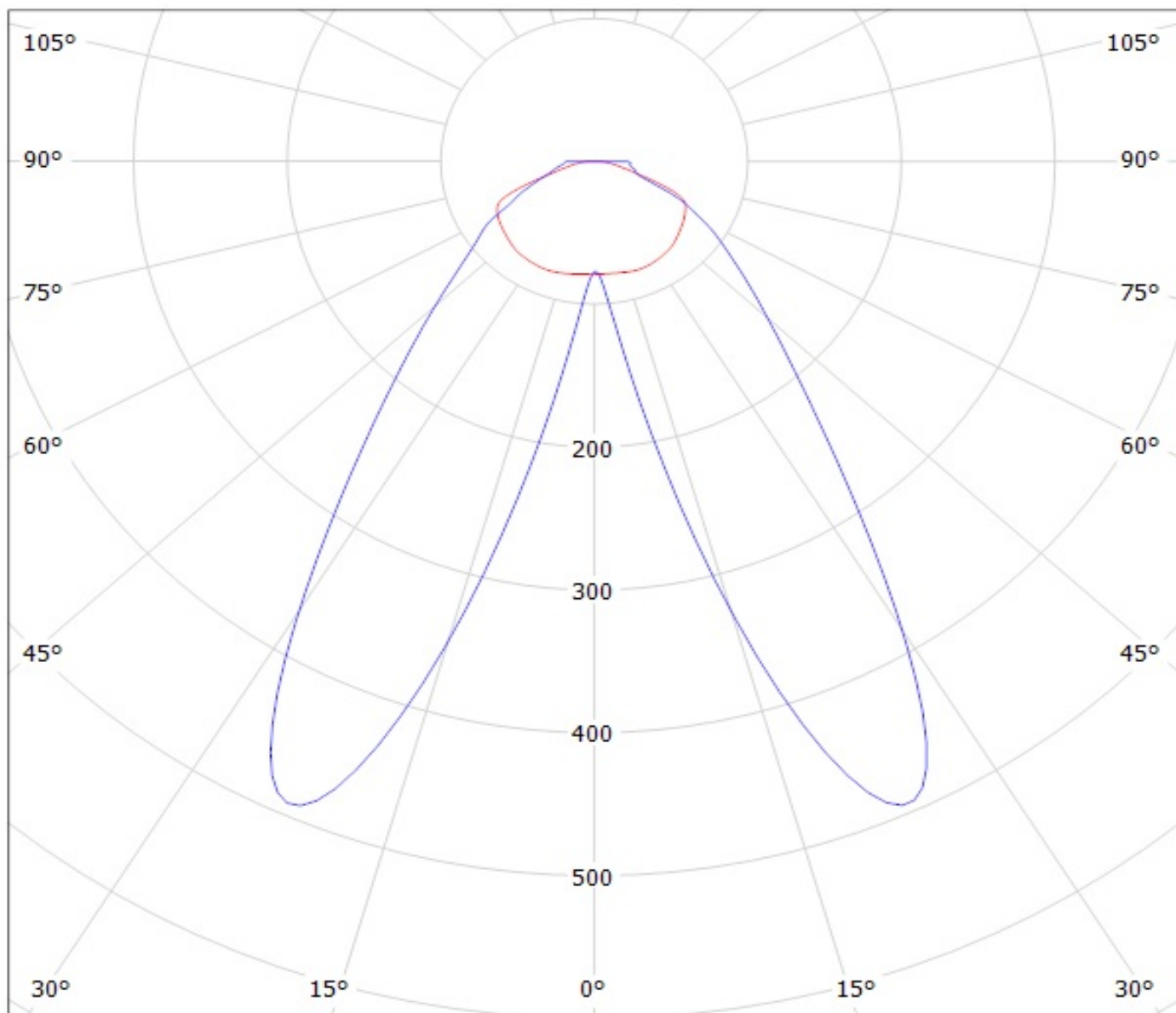
Luminaire: Ledil F14304\_FLORENCE-1R-Z90\_(XH-B)

Lamps: 1 x Cree\_XH-B\_x22\_(XHBAAWT-0-7B4-J20-0H-0001)\_315.848lm@65mA\_P=2.11W\_I=65mA



Luminaire: LEDiL Oy F14170\_FLORENCE-ZT25\_(XH-G) Eff: 93%

Lamps: 1 x Cree\_XH-G\_(XHGAWT-0-7B4-J30-0H)\_1063.31lm@250mA\_P=8.12225W\_I=0.2498A



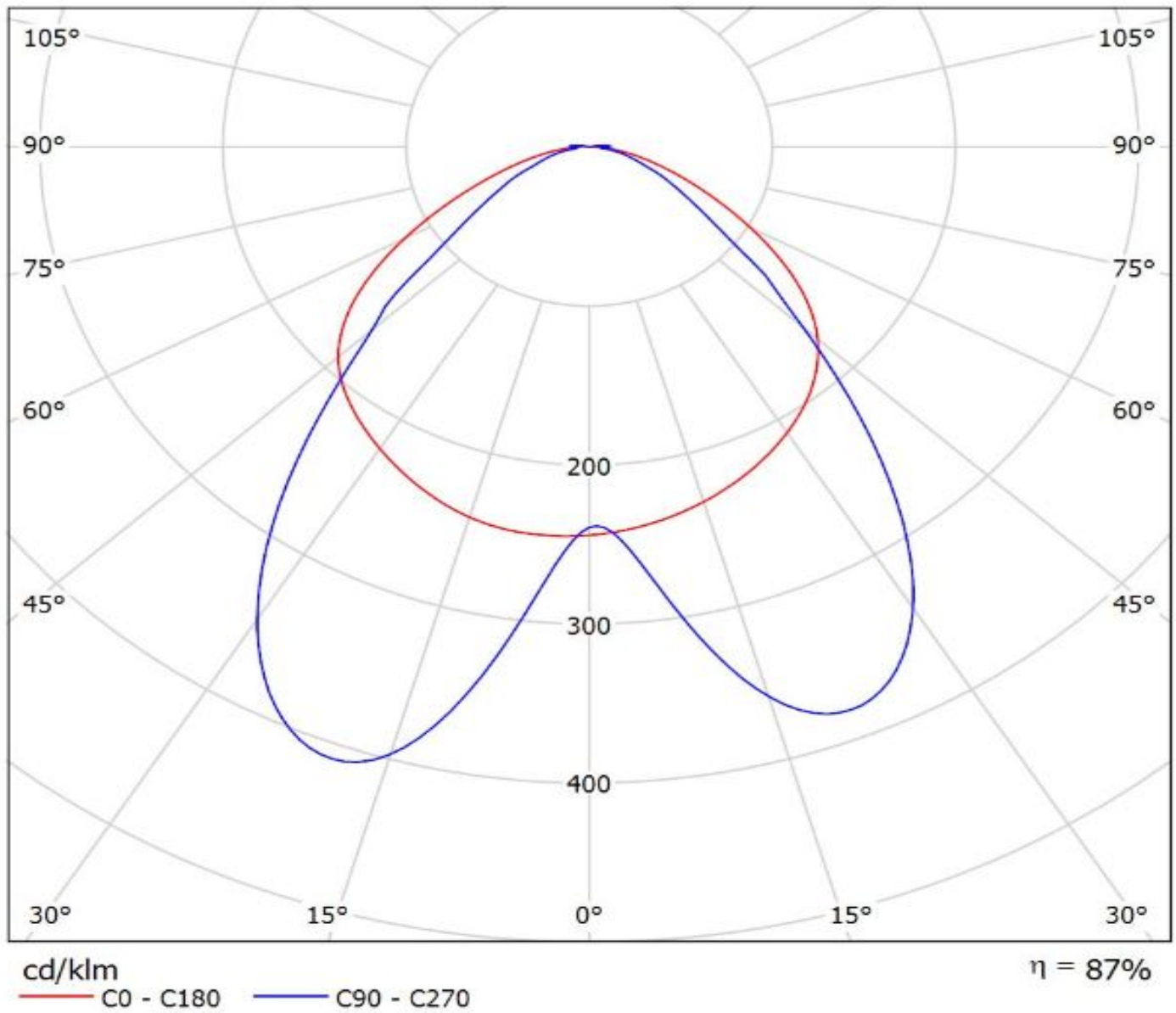
cd/klm

— C0 - C180    — C90 - C270

# Ledil C14530\_FLORENCE-1R-Z2T25\_(XH-B) / LDC (Polar)

Luminaire: Ledil C14530\_FLORENCE-1R-Z2T25\_(XH-B)

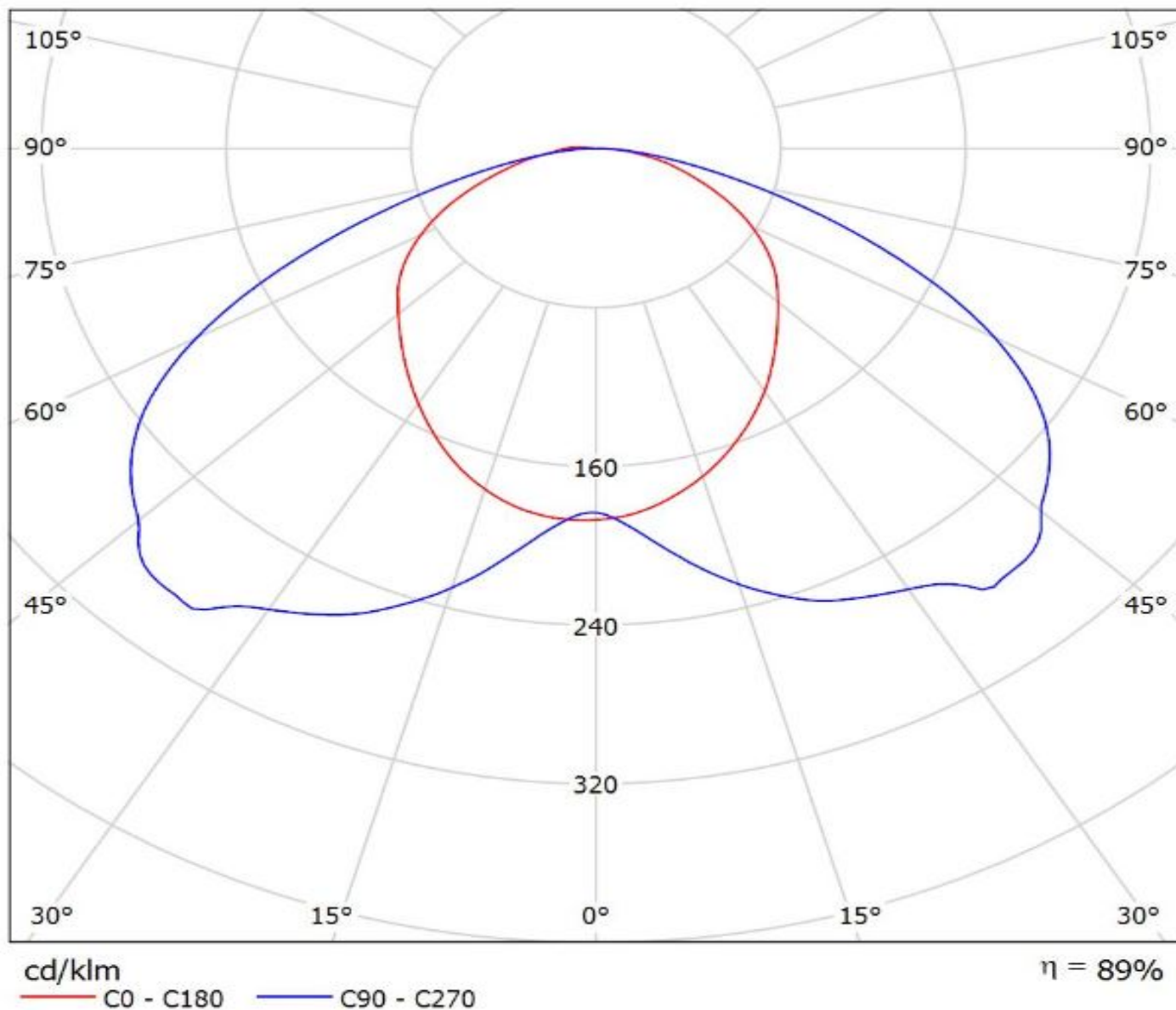
Lamps: 1 x Cree\_XH-B\_x22\_(XHBAAWT-0-7B4-J20-0H-0001)\_288.58lm@65mA\_P=2.1W\_I=0.065A



# Ledil C14642\_FLORENCE-1R-UP\_(XH-B) / LDC (Polar)

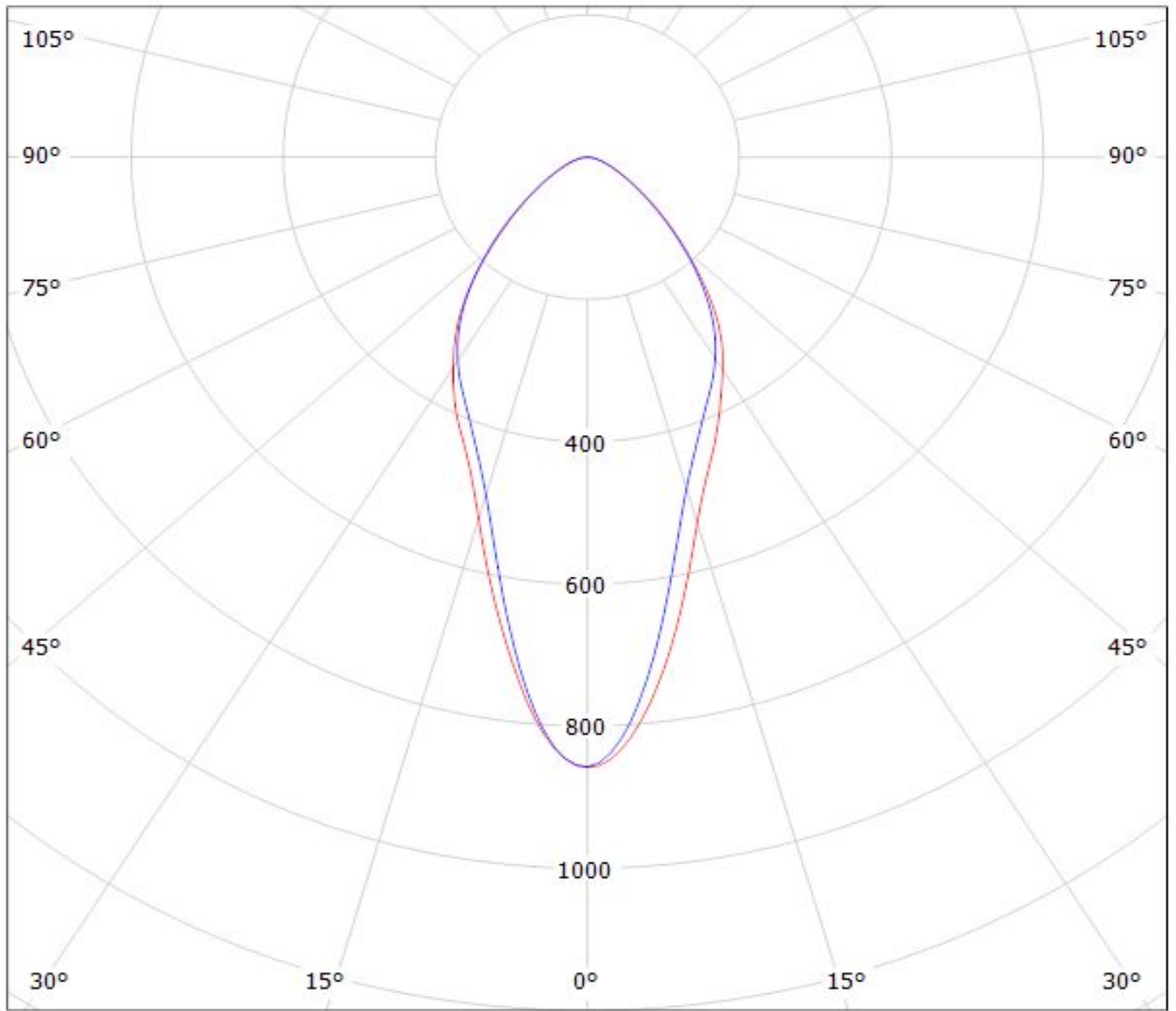
Luminaire: Ledil C14642\_FLORENCE-1R-UP\_(XH-B)

Lamps: 1 x Cree\_XH-B\_x22\_(XHBAWT-0-7B4-J20-0H-0001)\_288.58lm@65mA\_P=2.1W\_I=0.065A



Luminaire: LEDiL Oy F14112\_Florence-Z60\_(XH-G) Eff.87.4%

Lamps: 1 x CREE\_XH-G\_(XHGAWT-0-7B4-J30-0H-0001)\_1055.65lm@250mA\_P=8.1195W\_I=249.8mA



cd/klm

$\eta = 87\%$

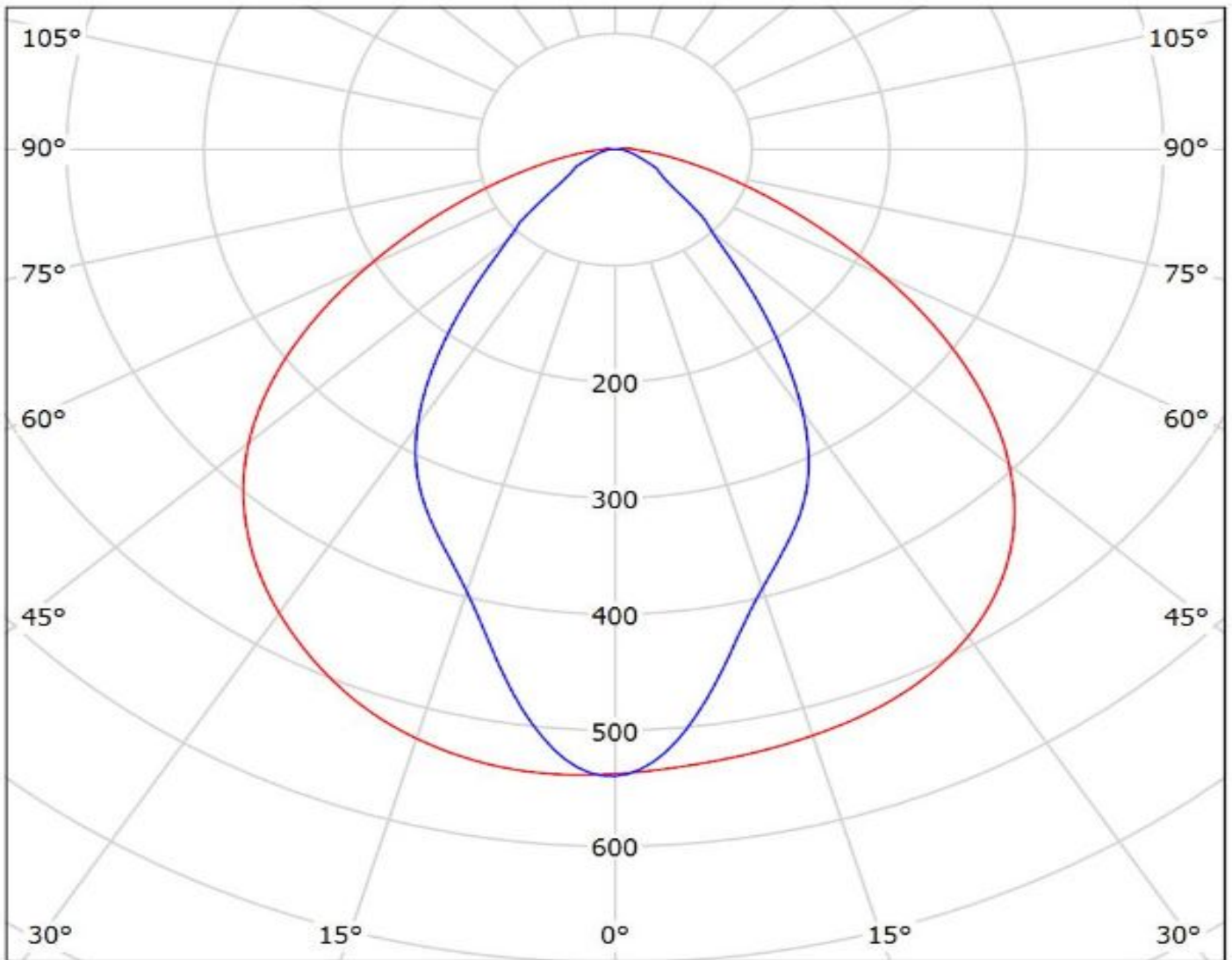
— C0 - C180

— C90 - C270

# Ledil F14468\_FLORENCE-1R-Z60\_(XH-B) / LDC (Polar)

Luminaire: Ledil F14468\_FLORENCE-1R-Z60\_(XH-B)

Lamps: 1 x Cree\_XH-B\_x22\_(XHBAWT-0-7B4-J20-0H-0001)\_315.848lm@65mA\_P=2.11W\_I=65mA



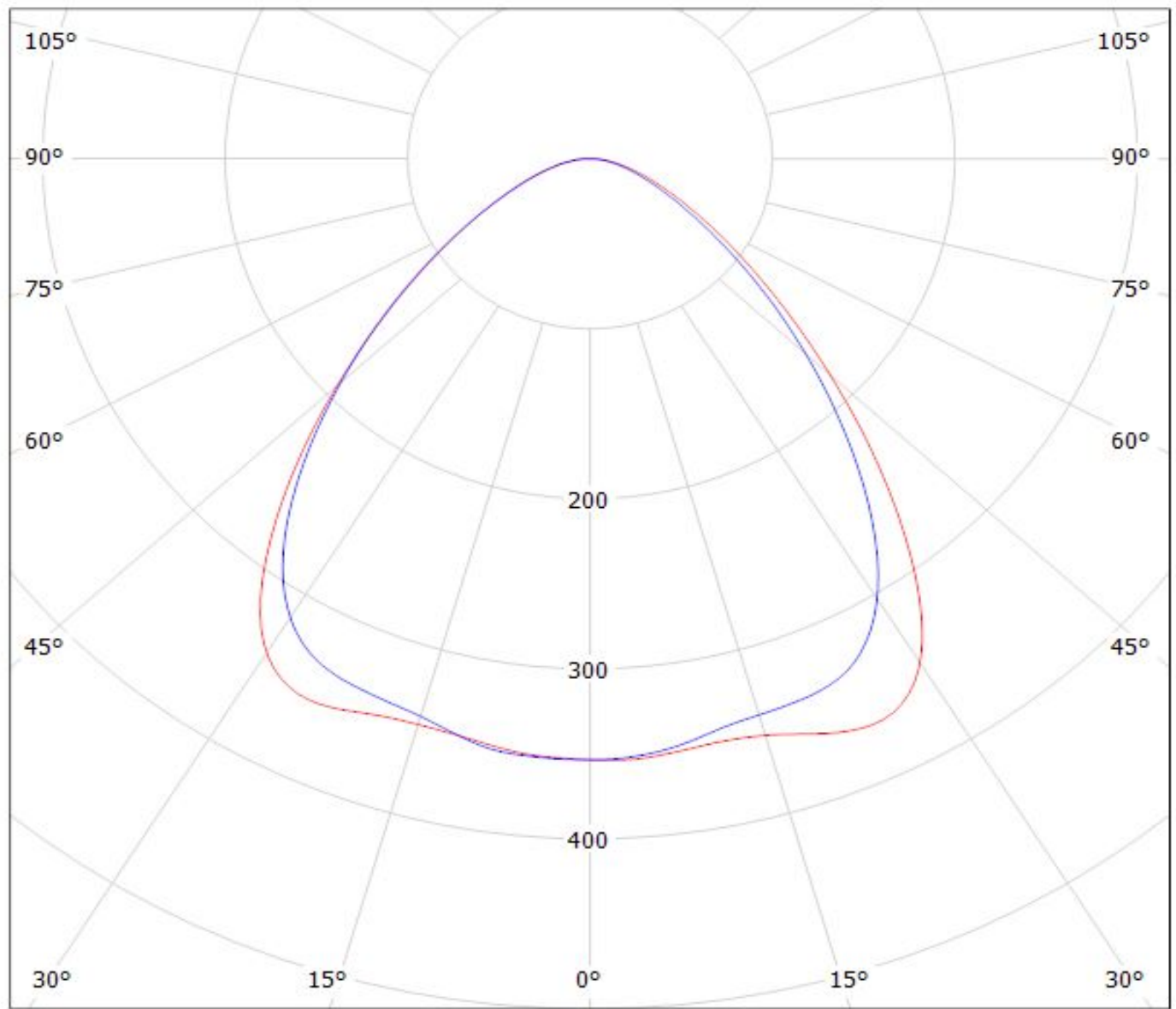
cd/klm

— C0 - C180 — C90 - C270

$\eta = 94\%$



Luminaire: LEDiL Oy F13853\_FLORENCE-Z90\_(XH-B) EFF\_81.8%  
Lamps: 1 x CREE\_XH-B\_(XHGAWT-0-7B4-J30-0H-0001)  
\_1060.84lm@250mA\_CCT=5000K\_P=8W\_I=249.8mA

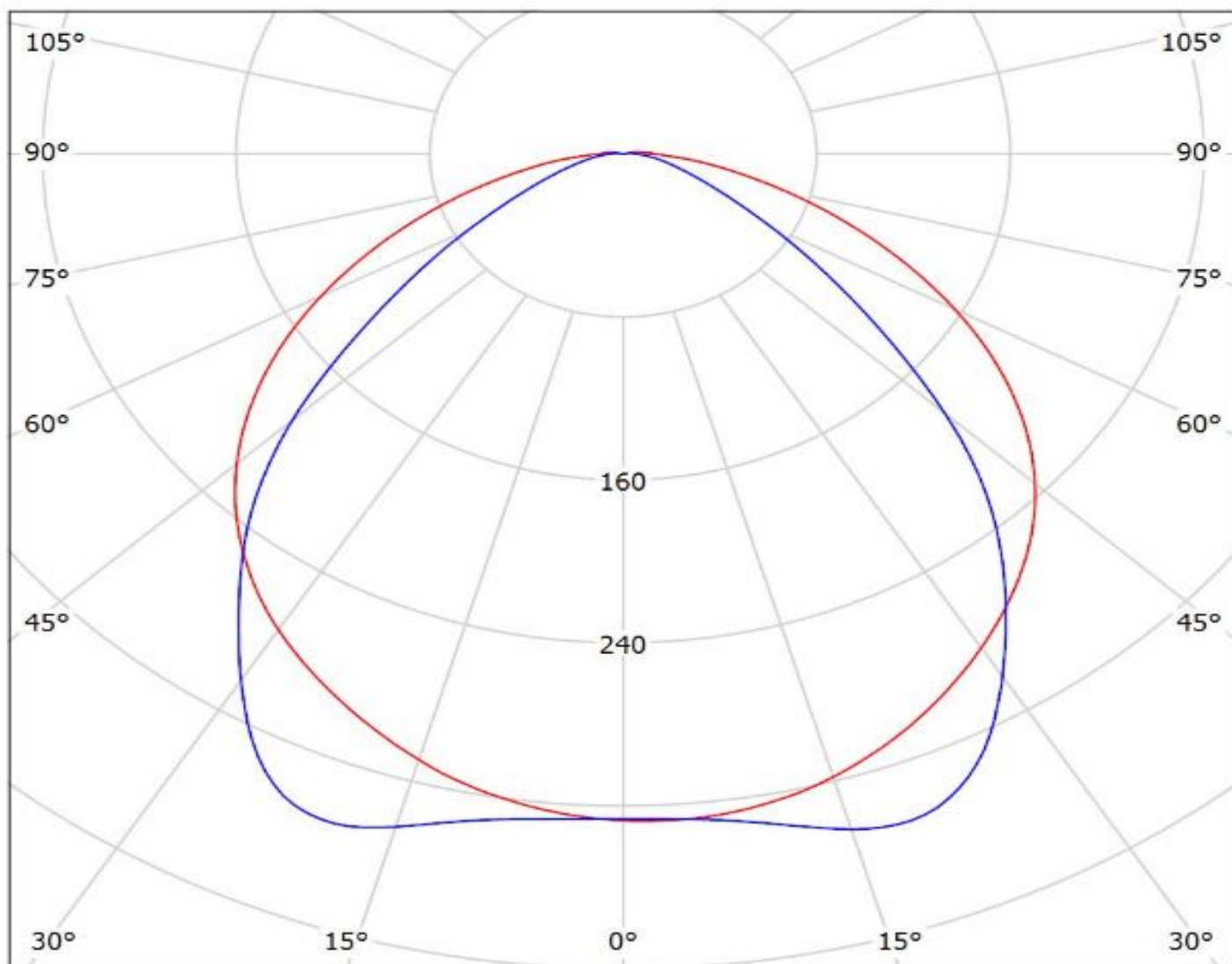


cd/klm η = 82%  
— C0 - C180 — C90 - C270

# Ledil F14304\_FLORENCE-1R-Z90\_(XH-B) / LDC (Polar)

Luminaire: Ledil F14304\_FLORENCE-1R-Z90\_(XH-B)

Lamps: 1 x Cree\_XH-B\_x22\_(XHBAAWT-0-7B4-J20-0H-0001)\_315.848lm@65mA\_P=2.11W\_I=65mA



cd/klm

— C0 - C180 — C90 - C270

$\eta = 90\%$